



PARTS LIST

322/323 SERIES

322

323

322BG

323BG

322JB

323JB

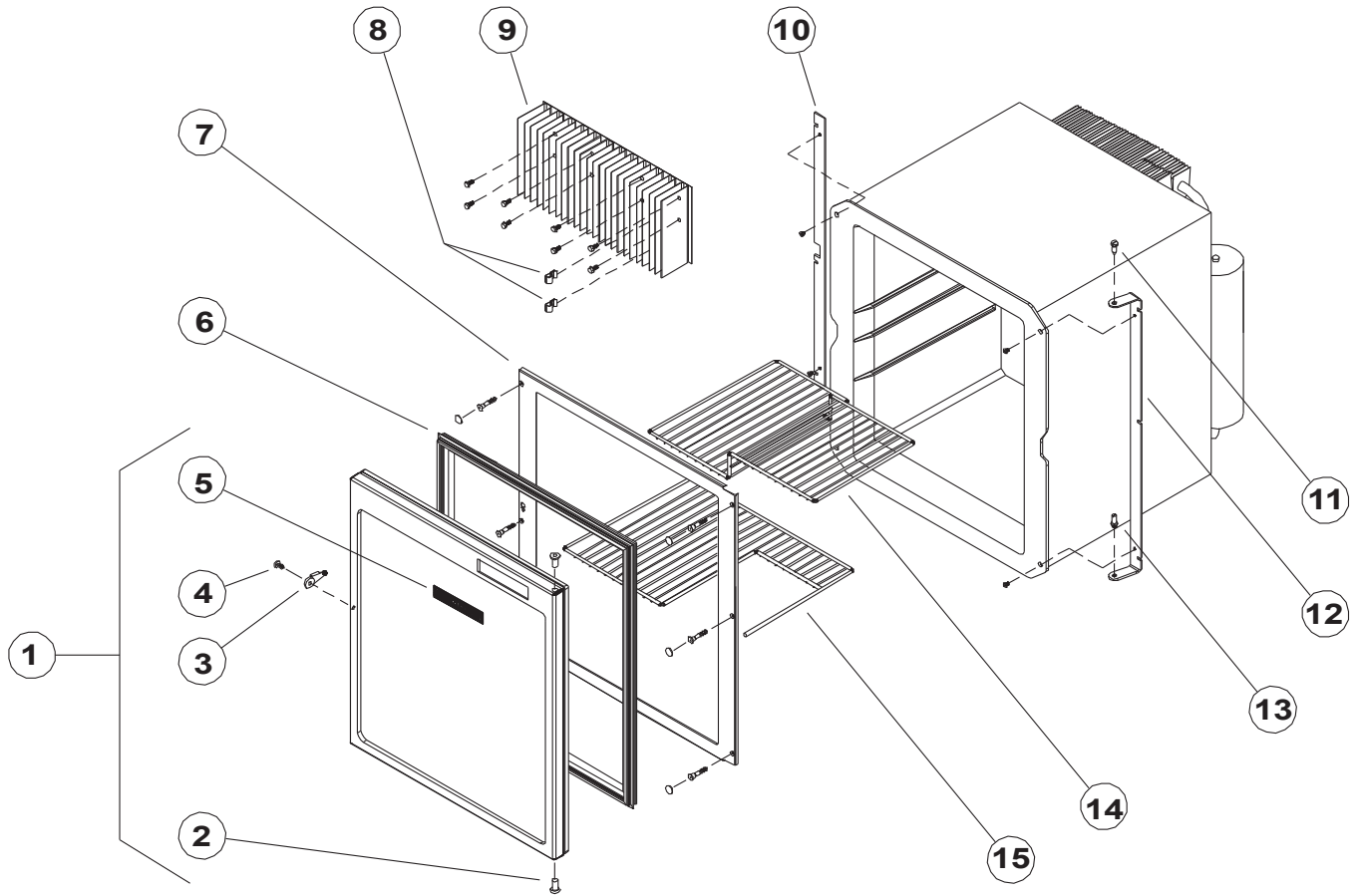
322T

323T

323BK

Part No. 619722
NORCOLD 11/02/2016

FRONT VIEW - 322/323 SERIES



Art01189

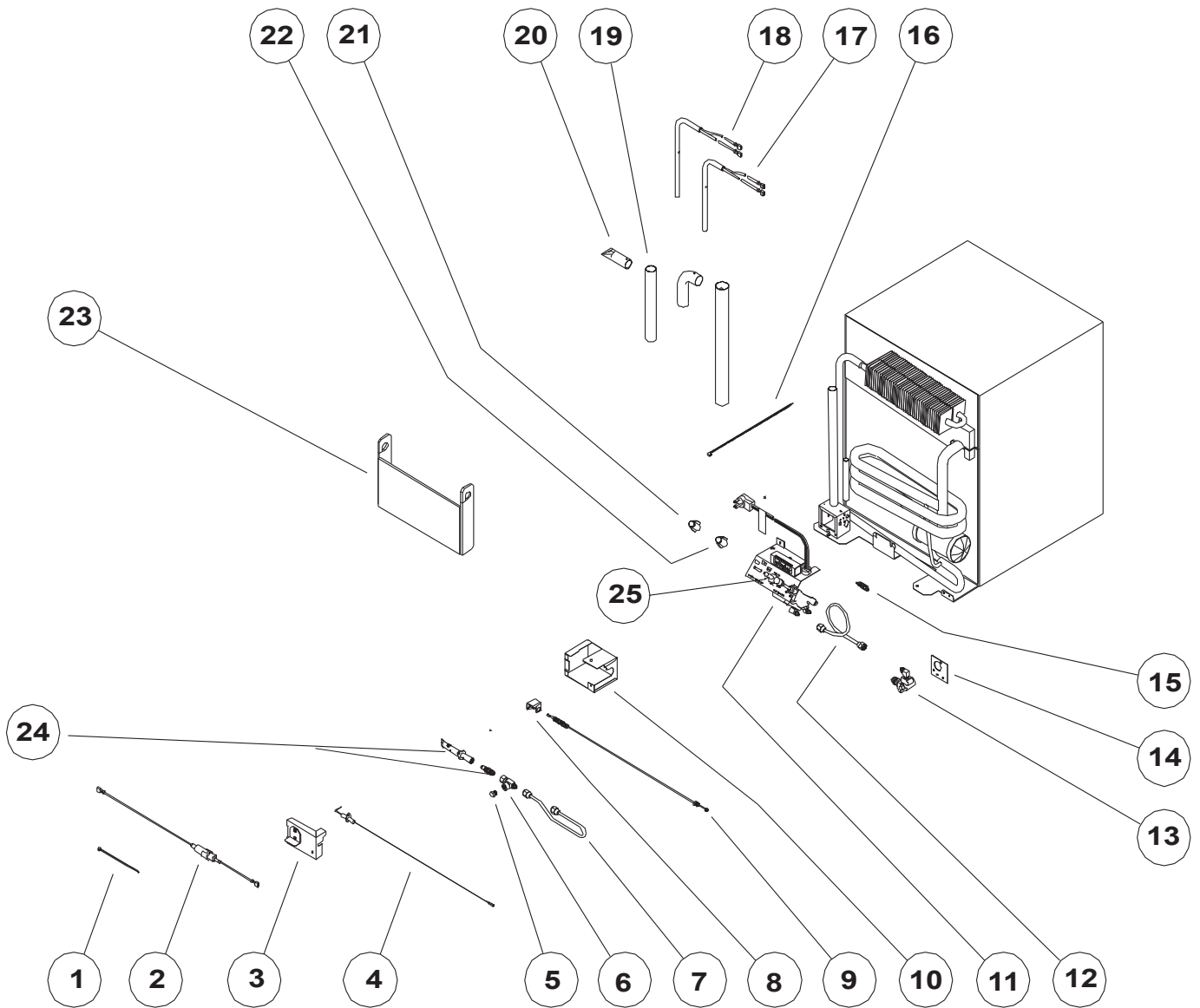
FRONT VIEW - 322/323 SERIES

NO.	PART #	DESCRIPTION	322	323	322BG	323BG	322JB	323JB	322T	323T	323BK
1	61741838	DOOR ASSY-BLACK (USE 620618 OR 620619)	X	X							
	619324	DOOR ASSY-BG (USE 620618)			X						
	619339	DOOR ASSY-BG (USE 620619)				X					
	619325	DOOR ASSY-JB (USE 620618)					X				
	619340	DOOR ASSY-JB (USE 620619)						X			
	620618	DOOR ASSY-322T	X		X		X		X		
	620619	DOOR ASSY-323T		X		X		X		X	
	634196	DOOR ASSY-323BK									X
2	61742022	HINGE BUSHING	X	X	X	X	X	X	X	X	X
3	61719630	TRAVEL LATCH-BLACK (USE 619330)	X	X							
	619330	TRAVEL LATCH-NATURAL (USE 638709)	X	X	X	X	X	X	X	X	X
	638709	TRAVEL LATCH KIT	X	X	X	X	X	X	X	X	X
4	61747922	RIVET-PLASTIC/TRAVEL LATCH	X	X	X	X	X	X	X	X	X
5	61747722	NAMEPLATE-NORCOLD (USE 620622 OR 620623)	X	X							
	619331	NAMEPLATE-NORCOLD (USE 620622)			X		X				
	619334	NAMEPLATE-NORCOLD (USE 620623)				X		X			
	620622	NAMEPLATE-BLUE/EG2	X		X		X		X		
	620623	NAMEPLATE-BLUE/EG3		X		X		X		X	X
6	61719130	DOOR GASKET-GRAY (USE 623980)	X	X	X	X	X	X			
	619584	DOOR GASKET-WHITE (USE 623980)							X	X	X
	623980	DOOR GASKET (USE 638816)	X	X	X	X	X	X	X	X	X
	638816	KIT SERVICE DOOR GASKET REPLACEMENT	X	X	X	X	X	X	X	X	X
7	61739830	BREAKER ASSY-BLACK (USE 634186)	X	X							
	619318	BREAKER ASSY-BG (USE 620615)			X	X					
	619319	BREAKER ASSY-JB (USE 620615)					X	X			
	620615	BREAKER ASSY			X	X	X	X	X	X	
	634186	BREAKER ASSY-BLACK									X
8	61728722	CLIP-FIN	X	X	X	X	X	X	X	X	X
9	61721122	FINS-COOLING	X	X	X	X	X	X	X	X	X

FRONT VIEW - 322/323 SERIES

10	61741422	SPACER-HINGE/BLACK (USE 634188)	X	X							
	619322	SPACER-HINGE/BG (USE 620617)			X	X					
	619323	SPACER-HINGE/JB (USE 620617)					X	X			
	620617	SPACER-HINGE			X	X	X	X	X	X	
	634188	SPACER-HINGE	X	X							X
11	61114600	HINGE PIN-TOP(USE 638630)	X	X	X	X	X	X	X	X	
	638630	KIT SERVICE UPPER HINGE PIN REPLACEMENT	X	X	X	X	X	X	X	X	
	623899	HINGE PIN-TOP-BLACK (USE 638780)									X
	638780	KIT SERVICE UPPER HINGE PIN REPLACEMENT									X
12	61741322	HINGE-BLACK (USE 634187)	X	X							
	619320	HINGE-BG (USE 620616)			X	X					
	619321	HINGE-JB (USE 620616)					X	X			
	620616	HINGE			X	X	X	X	X	X	
	634187	HINGE-BLACK	X	X							X
13	61550722	HINGE PIN-BOTTOM	X	X	X	X	X	X	X	X	X
14	61720422	SHELF-WIRE/TOP (USE 632427)	X	X	X	X	X	X			
	618061	SHELF-WIRE/TOP (USE 632427)	X	X	X	X	X	X	X	X	X
	632427	SHELF-WIRE/TOP	X	X	X	X	X	X	X	X	X
15	61720522	SHELF-WIRE/BOTTOM (USE 618060)	X	X	X	X	X	X			
	618060	SHELF-WIRE/BOTTOM (S/N 19156689 AND BELOW)	X	X	X	X	X	X	X	X	X
	632426	SHELF-WIRE/BOTTOM (S/N 19156690 AND ABOVE)	X	X	X	X	X	X	X	X	X
		PART IS NO LONGER AVAILABLE									

REAR VIEW - 322/323 SERIES



Art00644

REAR VIEW - 322/323 SERIES

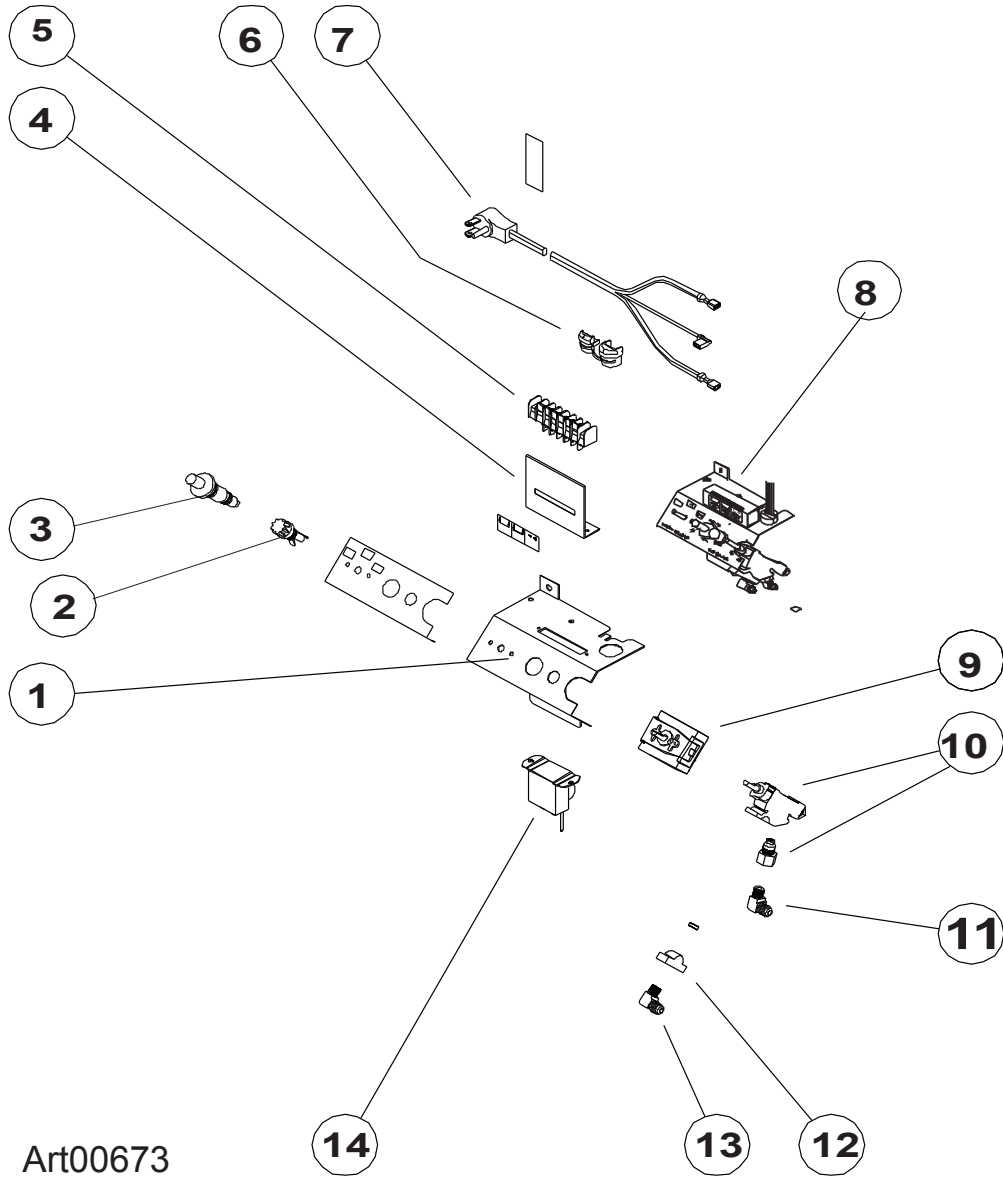
NO.	PART #	DESCRIPTION	322	323	322BG	323BG	322JB	323JB	322T	323T	323BK
1	61417922	CABLE TIE-NYLON	X	X	X	X	X	X	X	X	X
2	61757222	FUSE ASSY DC SUPPLY LINE-DC KIT/EG3		X		X		X			
3	620850	COVER ASSY-BURNER BOX/WITH DOOR	X	X	X	X	X	X	X	X	X
4	61722922	ELECTRODE-SPARK	X	X	X	X	X	X	X	X	X
5	61445322	PLUG-1/8" FOR PRESSURE TAP (SN 19493134 & BELOW)	X	X	X	X	X	X	X	X	X
6	61755322	PRESSURE TAP (CONTACT NORCOLD CUSTOMER SUPPORT)	X	X	X	X	X	X	X	X	X
	61594422	PRESSURE TAP (SN 19493134 & BELOW)							X	X	X
NS	621079	CONNECTOR-SWIVEL NUT (NOT SHOWN) (SN 1943134 & BELOW)							X	X	X
7	61723122	BURNER TUBE-USE SERVICE KIT ASSY (CONTACT NORCOLD CUSTOMER SUPPORT)	X	X	X	X	X	X	X	X	X
	621051	BURNER TUBE-322T/323T (SN19493134 & BELOW)							X	X	X
	635968	BURNER TUBE (SN 19493135 & ABOVE)								X	X
8	61623422	BRACKET-FOR THERMOCOUPLE/USED WITH 61723122	X	X	X	X	X	X			
	618448	BRACKET-THERMOCOUPLE	X	X	X	X	X	X	X	X	X
	629091	BRACKET-THERMOCOUPLE (SN19493134 & BELOW)	X	X	X	X	X	X	X	X	X
	636576	BRACKET THERMOCOUPLE (SN19493135 AND ABOVE)								X	X
9	61723122	THERMOCOUPLE-REPLACED BY 618445 & 618448	X	X	X	X	X	X			
	618445	THERMOCOUPLE (SN19493134 & BELOW)	X	X	X	X	X	X	X	X	X
	636078	THERMOCOUPLE (SN19493135 & ABOVE)								X	X
10	61721622	BURNER BOX-BOTTOM	X	X	X	X	X	X	X	X	X
11	617891	CONTROL ASSY-EG2	X		X		X		X		
	61751137	CONTROL ASSY-EG (SN19493134 & BELOW)		X		X		X		X	X
	635969	CONTROL ASSY (SN 19493135 & ABOVE)								X	X
12	61723222	INLET TUBE (SN 19493134 & BELOW)	X	X	X	X	X	X	X	X	X
	636154	INLET TUBE (SN 19493135 & ABOVE)								X	X
13	61749122	MANUAL SHUT OFF VALVE (SN19493134 & BELOW)	X	X	X	X	X	X	X	X	X
14	61749822	BRACKET- MANUAL SHUT OFF VALVE (SN19493134 &BELOW)	X	X	X	X	X	X	X	X	X
15	621737	INTERRUPTER (SN 19493134 & BELOW)	X	X	X	X	X	X	X	X	X
16	61706122	LADDER TIE	X	X	X	X	X	X	X	X	X
17	61745322	HEATER-AC (COOLING UNIT SERIAL# 11255510 & BELOW)	X	X	X	X	X	X	X	X	X
	630805	HEATER-AC/BACKER (COOLING UNIT SERIAL# 11255511 & ABOVE)								X	X
18	61745422	HEATER-DC/EG3 (COOLING UNIT SERIAL# 11255510 & BELOW)		X		X		X		X	X
	630806	HEATER-DC/BACKER (COOLING UNIT SERIAL# 11255511 & ABOVE)								X	X
19	61755022	TUBE-EXHAUST	X	X	X	X	X	X	X	X	X
20	61754922	CAP-FLUE HEAT	X	X	X	X	X	X	X	X	X
21	61748722	KNOB-SELECTOR (SN19493134 & BELOW)	X	X	X	X	X	X	X	X	X
	636024	KNOB-SELECTOR (SN19493135 & ABOVE)								X	X
22	61748822	KNOB-GAS CONTROL (SN19493134 & BELOW)	X	X	X	X	X	X	X	X	X
	636025	KNOB-GAS CONTROL (SN19493135 & ABOVE)								X	X
NS	637121	SHIM KNOB (NOTE: Shim 637121 is no longer needed following design change to knob 636025, starting SN 21434103 And above, April 7, 2015)								X	X
23	617748	REAR BAFFLE (USE 619068)	X	X	X	X	X	X			
	619068	BAFFLE ASSY-REAR	X	X	X	X	X	X	X	X	X
24	621949	KIT-BURNER/ORIFICE ADAPTER ASSY/32N260	X	X	X	X	X	X	X	X	X
25	61645622	SPARK IGNITOR-MANUAL (NOT SHOWN) (USE 639058)	X	X	X	X	X	X	X	X	X
	639058	KIT SERVICE SPARK IGNITOR REPLACEMENT	X	X	X	X	X	X	X	X	X

PART IS NO LONGER AVAILABLE

NS

NOT SHOWN

CONTROL ASSEMBLY - 322/323 SERIES (SN 19493134 & BELOW)



Art00673

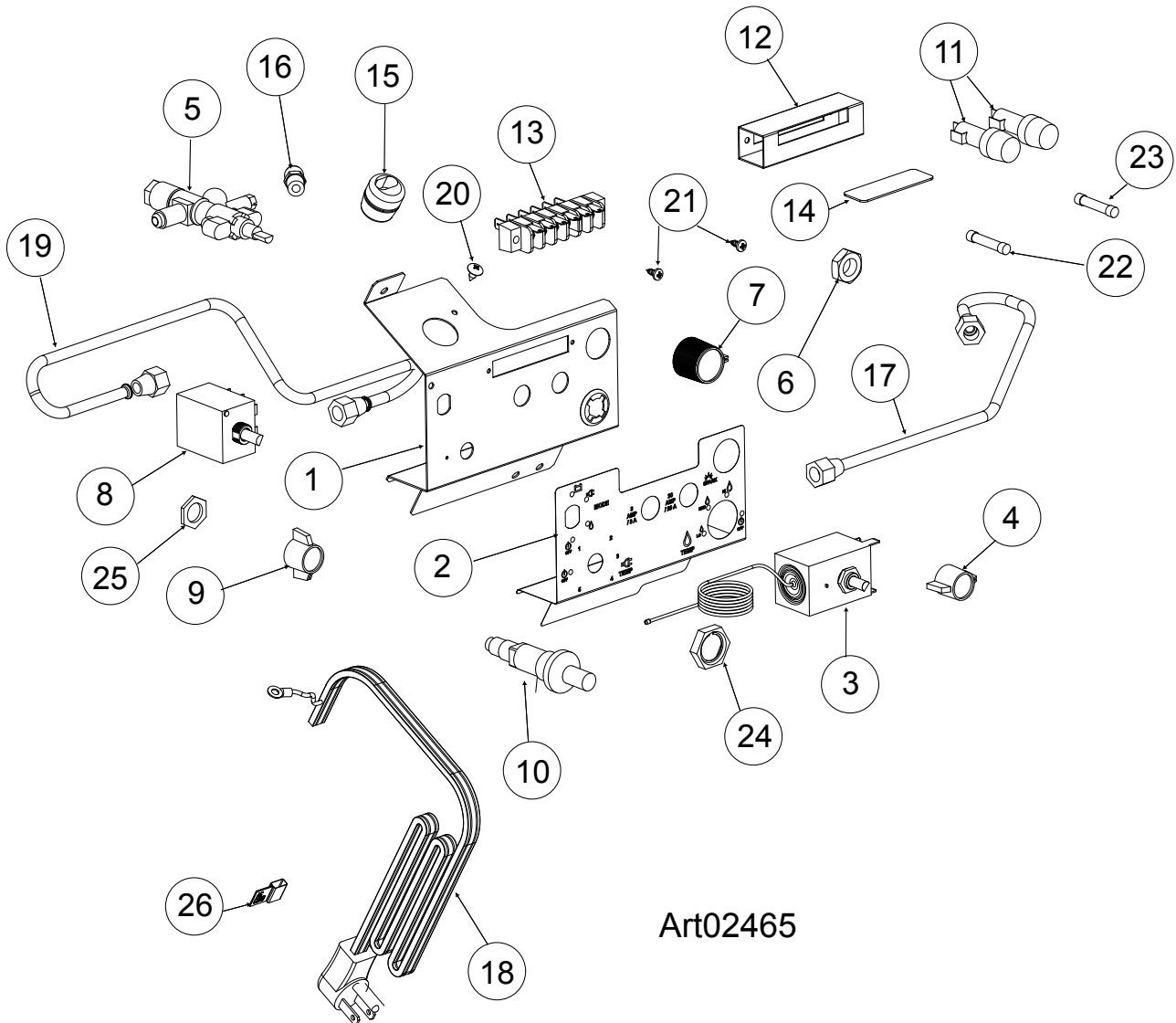
CONTROL ASSEMBLY - 322/323 SERIES (SN19493134 & BELOW)

NO.	PART #	DESCRIPTION	322	323	322BG	323BG	322JB	323JB	322T	323T	323BK
1	61749222	BRACKET-CONTROL	X	X	X	X	X	X	X	X	X
2	61638722	FUSE HOLDER	X	X	X	X	X	X	X	X	X
	61440522	FUSE-GLASS/20 AMP	X	X	X	X	X	X	X	X	X
	61654622	FUSE-GLASS/3 AMP/32V OR LESS	X	X	X	X	X	X	X	X	X
3	61645622	SPARK IGNITOR-MANUAL	X	X	X	X	X	X	X	X	X
4	61756322	COVER-TERMINAL BLOCK	X	X	X	X	X	X	X	X	X
5	61754722	TERMINAL BLOCK	X	X	X	X	X	X	X	X	X
6	61395922	BUSHING-RELIEF	X	X	X	X	X	X	X	X	X
7	61745122	CORD-AC POWER	X	X	X	X	X	X	X	X	X
8	617891	CONTROL ASSY-EG2	X		X		X		X		
	61751137	CONTROL ASSY-EG3		X		X		X		X	X
9	61722422	SWITCH-SELECTOR (USE 619168)	X	X	X	X	X	X			
	619168	SWITCH-SELECTOR	X	X	X	X	X	X	X	X	X
10	620349	GAS VALVE/OUTLET FITTING ASSY-SERVICE PART (SERIAL NUMBER 12352301 AND BELOW)	X	X	X	X	X	X	X	X	X
	633786	GAS VALVE/OUTLET FITTING ASSY-SERVICE PART (SERIAL NUMBER 12352302 AND ABOVE)	X	X	X	X	X	X	X	X	X
NS	61758522	RUBBER GASKET-SOURDILLON CONTROL (NOT SHOWN)	X	X	X	X	X	X	X	X	X
NS	620654	BY PASS SCREW-#18 (NOT SHOWN)	X	X	X	X	X	X	X	X	X
11	61621622	BRASS ELBOW-UNION TUBE	X	X	X	X	X	X			
12	618692	SADDLE FITTING-WITH CONNECTOR/FORGED BRASS	X	X	X	X	X	X	X	X	X
13	619278	BRASS ELBOW-90 DEGREE/1/8 NPTF							X	X	X
14	61756722	THERMOSTAT (USE 618681)	X	X	X	X	X	X			
	618681	THERMOSTAT	X	X	X	X	X	X	X	X	X
NS	61752322	WIRE-4"/BLK	X	X	X	X	X	X	X	X	X
NS	61752422	WIRE-4"/RED	X	X	X	X	X	X	X	X	X
NS	618557	WIRE-CONTROL/BLACK (NOT SHOWN)		X		X		X		X	X
NS	618558	WIRE-CONTROL/RED (NOT SHOWN)		X		X		X		X	X
NS	61752522	WIRE-ORANGE (NOT SHOWN)	X	X	X	X	X	X	X	X	X

PART IS NO LONGER AVAILABLE

NS NOT SHOWN

CONTROL ASSEMBLY - 322/323 SERIES (SN19493135 & ABOVE)



Art02465

CONTROL ASSEMBLY - 322/323 SERIES (SN19493135 & ABOVE)

NO.	PART #	DESCRIPTION	323T	323BK
1	635965	323 / N260.3 CONTROL PANEL BRACKET	X	X
2	636200	CONTROL PANEL LABEL	X	X
3	636495	THERMOSTAT	X	X
4	636206	KNOB- SELECTOR	X	X
5	635690	COPRECI VAVLE (USE 638587)	X	X
	638587	KIT SERVICE GAS VALVE REPLACEMENT	X	X
6	636356	M12-1.00 HEX JAM NUT	X	X
7	636025	GAS CONTROL VALVE KNOB	X	X
NS	637121	SHIM- KNOB	X	X
8	620863	SELECTOR SWITCH	X	X
9	636024	KNOB- SELECTOR	X	X
10	61645622	SPARK IGNITOR- MARK 21	X	X
11	61638722	FUSE HOLDER	X	X
12	61756322	TERMINAL BLOCK COVER	X	X
13	636173	TERMIANL BLOCK	X	X
14	620080	LABEL - TERMINAL BLOCK	X	X
15	61395922	STRAIN RELIEF	X	X
16	61546822	MALE CONNECTOR	X	X
17	635968	GAS LINE - BURNER	X	X
18	61745122	AC CORD	X	X
19	636154	GAS LINE - INLET	X	X
20	61110922	#8-18 X 3/8 PHIL. TRUSS HEAD (TYPR AB)	X	X
21	61572922	SCREW #6-20 X 3/8" PHILLIPS PAN HEAD TAPPING	X	X
22	61654622	FUSE 3AG GLASS BODY FAST _ACTING	X	X
23	61440522	FUSE 20AG GLASS BODY FAST _ACTING	X	X
24	623972	SPEED NUT, NO. 2	X	X
25	621308	NUT, ATTACHMENT	X	X
26	619851	AC CORD LABEL	X	X
NS	61722922	SPARK ELECTRODE	X	X
NS	636078	THERMOCOUPLE	X	X
NS	636061	WIRE ASSEMBLY, RED	X	X
NS	636062	WIRE ASSEMBLY, BLACK	X	X

NS NOT SHOWN