

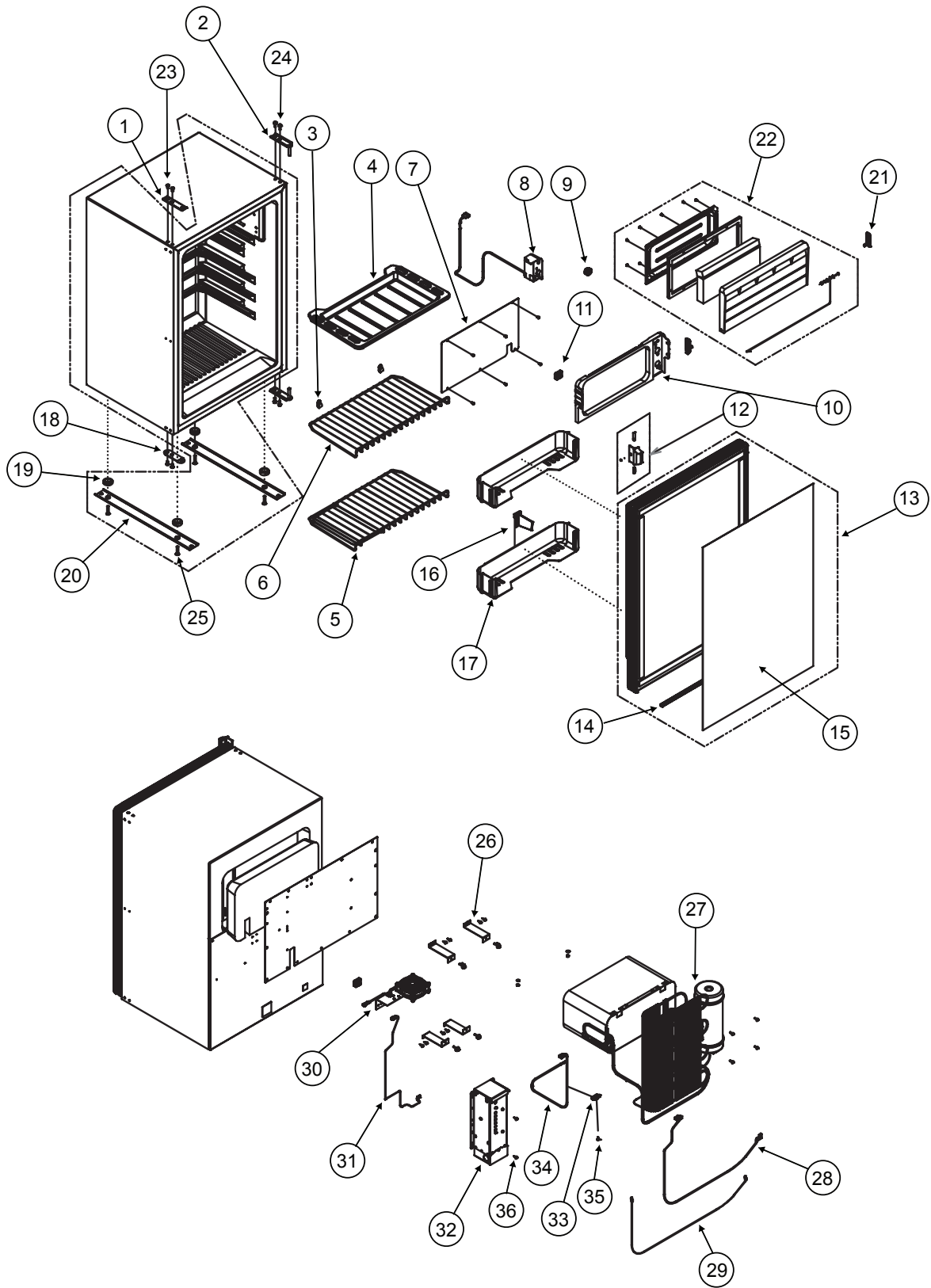


PARTS LIST

DE0788/EV0788 SERIES

	<u>Models</u>
DE0788B	(Black Doors)
DE0788S	(Stainless Doors)
EV0788B	(Black Doors)
EV0788S	(Stainless Doors)

DE0788/EV0788 SERIES



ART 02553

DE0788/EV0788 SERIES

NO.	PN	DESCRIPTION	DE0788B	DE0788S	EV0788B	EV0788S
1	3002 075 00	PLATE LATCH	X	X	X	X
2	1609 326 00	HINGE ASSY-DOOR	X	X	X	X
3	6451 039 50	HOLDER-SHELF	X	X	X	X
4	4330 005 20	DRAINAGE PAN-DC0788/DE0788/EV0788	X	X	X	X
5	5230 012 10	SHELF-TOP/DC0788/DE0788/EV0788	X	X	X	X
6	5230 012 20	SHELF-BOTTOM/DC0788/DE0788/EV0788	X	X	X	X
7	4303 070 00	PLATE-I	X	X	X	X
8	1601 209 20	THERMOSTAT-CONTROL ASSY	X	X	X	X
9	1602 067 00	KNOB-THERMOSTAT	X	X	X	X
10	4226 001 20	EVAPORATOR FRAME-DC0788/DE0788/EV0788	X	X	X	X
11	4160 042 00	BUSHING-I PLATE	X	X	X	X
12	4225 141 02	DOOR HANDLE ASSY-BLACK	X		X	
	636261	DOOR HANDLE ASSY-BLACK	X		X	
	4225 141 12	DOOR HANDLE ASSY-STAINLESS		X		X
	636436	DOOR HANDLE ASSY-STAINLESS		X		X
13	1600 584 41	DOOR ASSY-BLACK/DC0788/DE788/EV788	X		X	
	1600 584 70	DOOR ASSY-BLACK/DC0788/DE788/EV788	X		X	
	1600 584 51	DOOR ASSY-STAINLESS/DC0788/DE788/EV788		X		X
14	4276 142 00	DOOR FRAME-BOTTOM PANEL RETAINER/BLACK	X		X	
	4276 142 40	DOOR FRAME-BOTTOM PANEL RETAINER/STAINLESS		X		X
15	3023 117 10	DOOR PANEL-BLACK	X		X	
	3023 117 40	DOOR PANEL-STAINLESS		X		X
16	4225 086 00	PARTITION-DOOR POCKET	X	X	X	X
17	4225 089 00	DOOR POCKET-DOOR SHELF BIN	X	X	X	X
18	3041 110 40	PLATE-DOOR STOP	X	X	X	X
19	3609 065 10	BOTTOM RAIL-SPACER/LEG	X	X	X	X
20	3223 019 00	SUPPORT-BOTTOM RAIL	X	X	X	X
21	1609 048 00	HINGE-EVAPORATOR DOOR	X	X	X	X
22	1600 038 20	EVAPORATOR DOOR ASSY	X	X	X	X
23	8050 050 10	SCREW M5*10 SUS	X	X	X	X
24	5010 427 00	BOLT M5*14	X	X	X	X
25	8010 060 20	SCREW M6*40	X	X	X	X
26	3211 059 00	HOLDER-CONDENSER/COOLING UNIT	X	X	X	X
27	1610 144 00	COOLING UNIT-40W/DC0788/DE0788/EV0788	X	X	X	X
28	1902 647 10	COUPLER ASSY	X	X	X	X
29	1921 166 07	CORD WITH TERMINAL	X	X	X	X
30	1609 306 00	FAN ASSY-DC0788/DE0788/EV0788	X	X	X	X
31	6010 580 20	COUPLER ASSY-FANS TO POWER SUPPLY	X	X	X	X
32	1601 181 30	POWER SUPPLY-DE/40W (USE 1601 217 20)	X	X		
	1601 217 20	POWER SUPPLY	X	X		
	1601 181 50	POWER SUPPLY-EV/40W			X	X
33	4223 050 00	HOLDER-THERMISTER	X	X	X	X
34	6055 054 20	THERMISTER-EVAPORATOR	X	X	X	X
35	8080 043 08	SCREW-TAPPING	X	X	X	X
36	8073 044 12	SCREW-TAPPING	X	X	X	X

PART IS NO LONGER AVAILABLE