



PARTS LIST

N1095 SERIES

PANEL DOOR MODELS

N1095	N1095C
N1095IM	N1095IMC
N1095IMV	
N1095V	

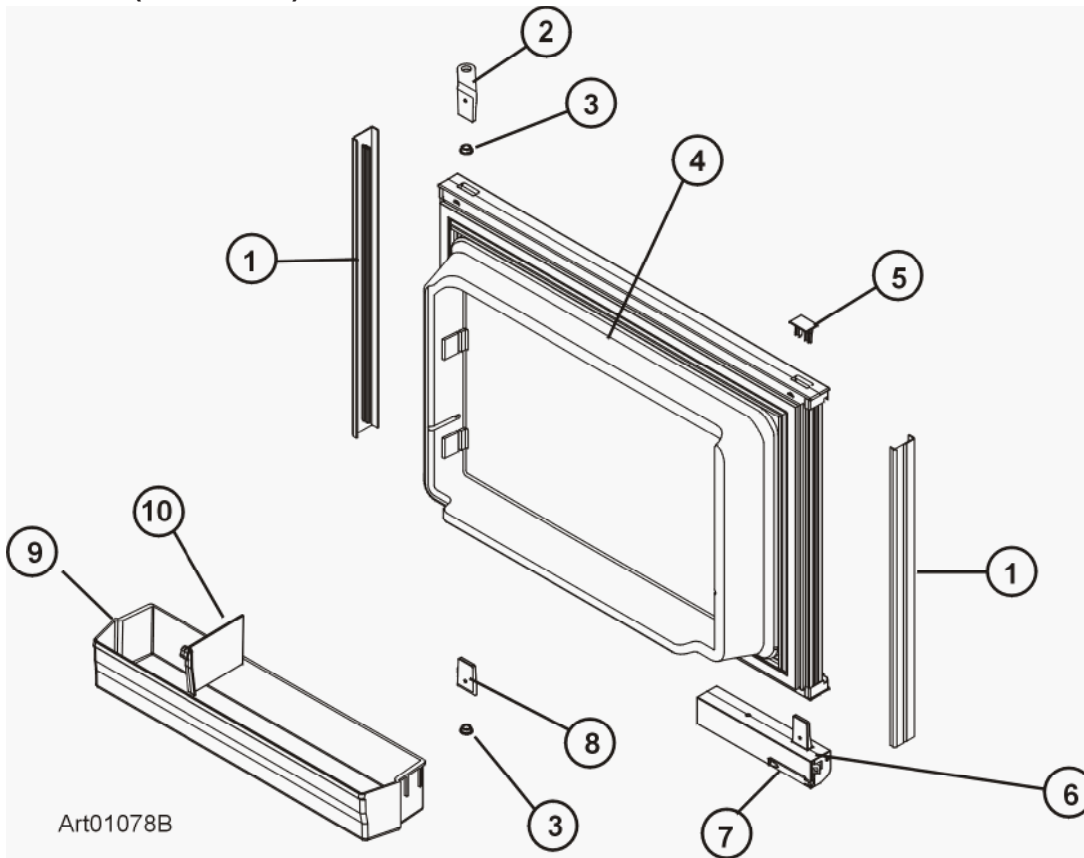
WRAPPED DOOR MODELS

N1095BK	N1095CBK
M1095BKV	
N1095IMBK	N1095IMCBK
N1095SS	N1095CSS
N1095IMSS	N1095IMCSS
N1095WH *	

* WHITE WRAPPED MODELS NO LONGER PRODUCED

PART NO. 624870
NORCOLD 11/3/2016

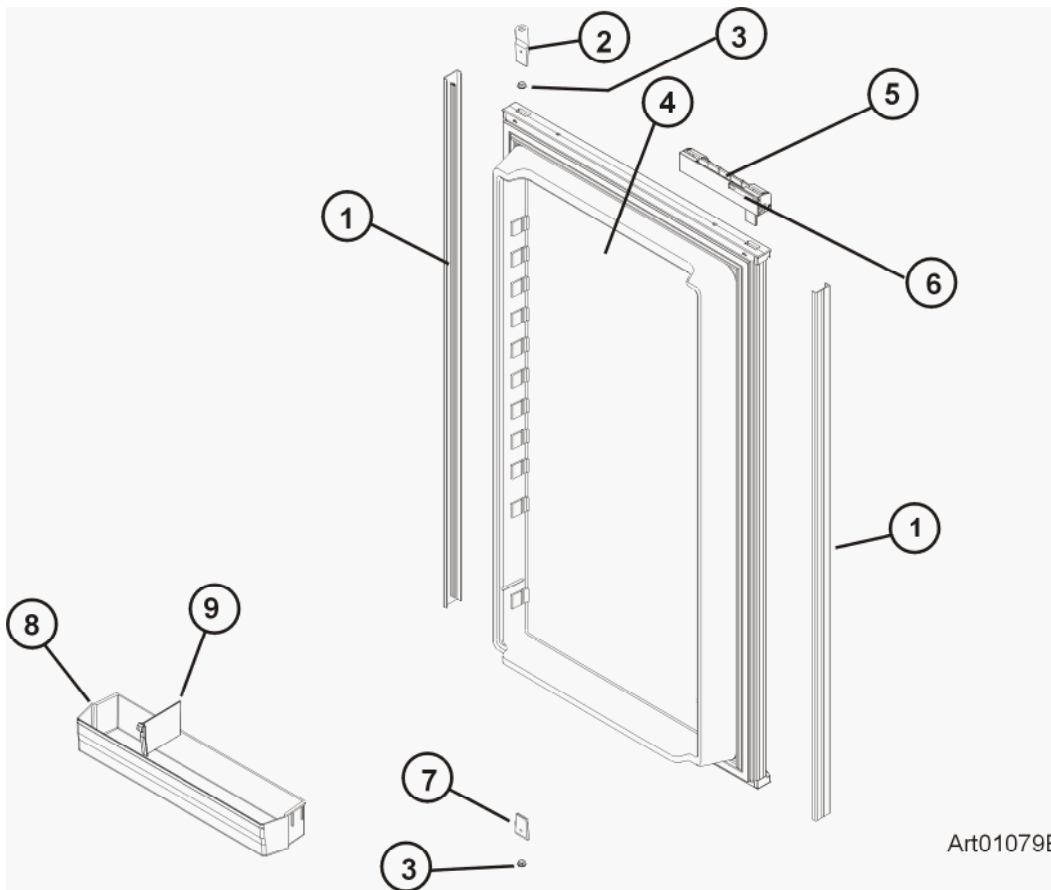
UPPER DOOR (FREEZER) - MODEL SERIES N1095 - PANEL TYPE



NO.	PART #	DESCRIPTION	N1095 PANEL DOOR MODELS		
			N1095 N1095C	N1095IM N1095IMC	N1095V N1095IMV
1	619558	PANEL RETAINER-UPPER DOOR/BLACK/WDL	X		
	623943	PANEL RETAINER-UPPER DOOR/PANEL/BLACK/SDL	X	X	X
2	618511	HINGE-DOOR SIDE/TOP RH/BTM LH/BLACK/WDL	X	X	
3	619671	HINGE BUSHING-DOOR/WARM GRAY/WDL/SDL	X	X	X
4	619627	DOOR ASSY-UPPER/PANEL/BLACK FRAME/WDL	X	X	
	623945	DOOR ASSY-UPPER/PANEL/BLACK FRAME/SDL	X	X	X
5	618160	CAP-HINGE PLUG/BLACK	X	X	X
6	621469	DOOR HANDLE ASSY-UPPER DOOR/RH SWING/PLASTIC/BLACK	X	X	X
7	622313	LATCH-STORAGE/DOOR/PLASTIC HANDLE/WARM GRAY	X	X	X
8	618510	HINGE-DOOR SIDE/TOP LH/BTM RH/BLACK/WDL	X	X	
	619006	BIN-DOOR SHELF/SMALL/CLEAR/WDL	X	X	
	624864	BIN-DOOR SHELF/CLEAR/SDL	X	X	X
10	619008	DIVIDER-DOOR BIN/CLEAR/WDL/SDL	X	X	X
NS	619569	BOLT-CAP SHOULDER/TORX HEAD	X	X	X

WDL = WAFFLE DOOR LINER SDL = SMOOTH DOOR LINER

LOWER DOOR (FRESH FOOD) - MODEL SERIES N1095 - PANEL TYPE

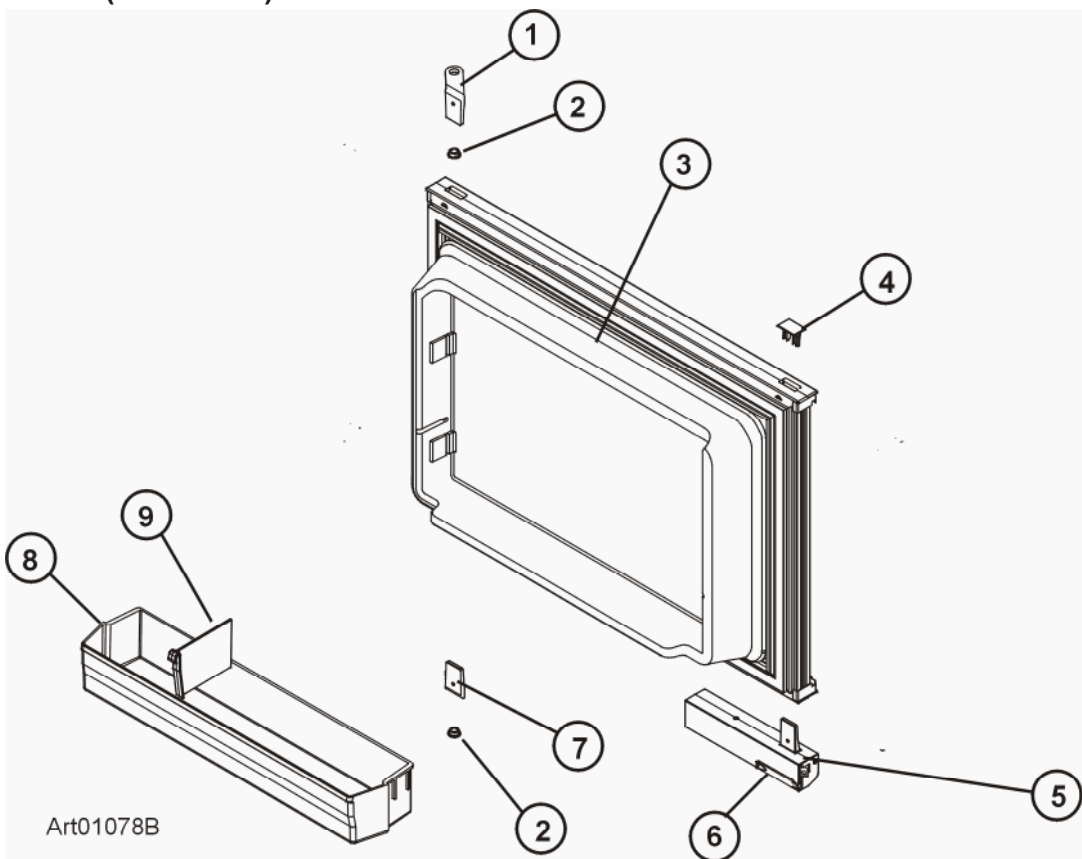


NO.	PART #	DESCRIPTION	N1095 PANEL DOOR MODELS		
			N1095 N1095C	N1095IM N1095IMC	N1095V N1095IMV
1	619560	PANEL RETAINER-LOWER DOOR/8'/BLACK/WDL	X	X	
	623760	PANEL RETAINER-LOWER DOOR/8'/BLACK/SDL	X	X	X
2	618511	HINGE-DOOR SIDE/TOP RH/BTM LH/BLACK/WDL	X	X	
3	619671	HINGE BUSHING-DOOR/WARM GRAY (2 PER DOOR)	X	X	X
4	619631	DOOR ASSY-LOWER/8'/PANEL/BLACK FRAME/WDL	X	X	
	623942	DOOR ASSY-LOWER/8'/PANEL/BLACK FRAME/SDL	X	X	X
5	621465	DOOR HANDLE ASSY-LOWER DOOR/RH SWING/PLASTIC/BLACK	X	X	X
6	622313	LATCH-STORAGE/DOOR/PLASTIC HANDLE/WARM GRAY	X	X	X
7	618510	HINGE-DOOR SIDE/TOP LH/BTM RH/BLACK/WDL	X	X	
8	619006	BIN-DOOR SHELF/SMALL/CLEAR/WDL (3 PER DOOR)	X	X	
	619005	BIN-DOOR SHELF/LARGE/CLEAR/WDL (1 PER DOOR)	X	X	
8	619006	BIN-DOOR SHELF/SMALL/CLEAR/WDL (3 PER DOOR)	X	X	
9	624864	BIN-DOOR SHELF/CLEAR/SDL	X	X	X
NS	619569	BOLT-CAP SHOULDER/TORX HEAD (NOT SHOWN)	X	X	X
NS	632458	WIRE-BIN/SDL	X	X	X

WDL = WAFFLE DOOR LINER

SDL = SMOOTH DOOR LINER

UPPER DOOR (FREEZER) - MODEL SERIES N1095 - WRAP TYPE



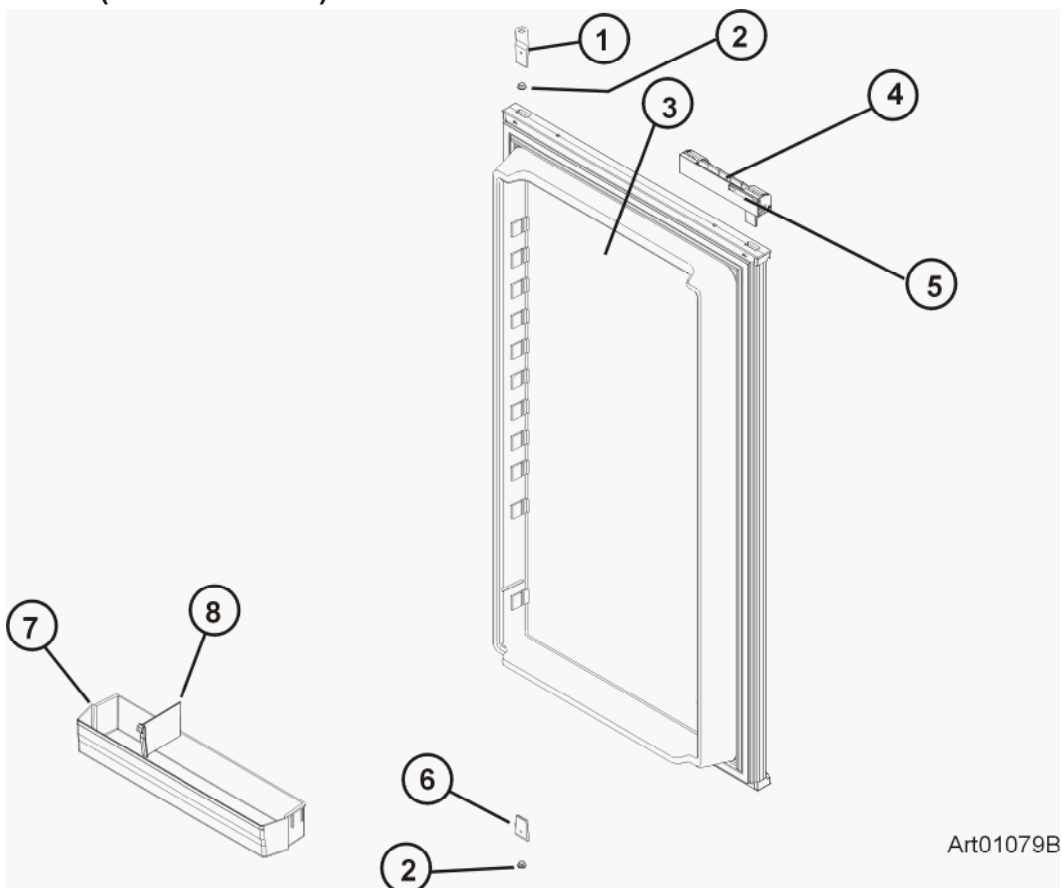
NO.	PART #	DESCRIPTION	N1095 WRAPPED DOORS		
			BLACK	STAINLESS	WHITE
1	618511	HINGE-DOOR SIDE/TOP RH/BTM LH/BLACK/WDL	X	X	X
2	619671	HINGE BUSHING-DOOR/WARM GRAY/WDL/SDL	X	X	X
3	625874	DOOR ASSY-UPPER/WRAP/BLACK/WDL	X		
	627121	DOOR ASSY-UPPER/WRAP/BLACK/SDL (USE 632732)	X		
	632732	DOOR ASSY-UPPER/AT/WRAP/BLACK/SDL (FROM 07/10/08 TO S/N 12965198)	X		
	634065	DOOR ASSY-UPPER/ANCO/WRAP/BLACK/SDL (SERIAL # 12965199 & ABOVE)			
	623272	DOOR ASSY-UPPER/WRAP/STAINLESS STEEL/WDL		X	
	630091	DOOR ASSY-UPPER/WRAP/STAINLESS STEEL/SDL		X	
	632731	DOOR ASSY-UPPER/AT/WRAP/SS/SDL (FROM 06/25/08 TO S/N 12985380)		X	
	634062	DOOR ASSY-UPPER/ANCO/WRAP/SS/SDL (SERIAL # 12985381 & ABOVE)		X	
	624143	DOOR ASSY-UPPER/WRAP/WHITE/WDL			X
	627120	DOOR ASSY-UPPER/WRAP/WHITE/SDL			X
4	618160	CAP-HINGE PLUG/BLACK	X	X	X
5	621469	DOOR HANDLE ASSY-UPPER DOOR/RH SWING/PLASTIC/BLACK	X	X	X
6	622313	LATCH-STORAGE/DOOR/PLASTIC HANDLE/WARM GRAY	X	X	X
7	618510	HINGE-DOOR SIDE/TOP LH/BTM RH/BLACK/WDL	X	X	X
8	619006	BIN-DOOR SHELF/SMALL/CLEAR/WDL	X	X	X
9	619008	DIVIDER-DOOR BIN/CLEAR/WDL/SDL	X	X	X
NS	619569	BOLT-CAP SHOULDER/TORX HEAD (NOT SHOWN)	X	X	X

WDL = WAFFLE DOOR LINER SDL = SMOOTH DOOR LINER

BK - BLACK SS = STAINLESS STEEL WH = WHITE (NO LONGER PRODUCED)

PART IS NO LONGER AVAILABLE

LOWER DOOR (FRESH FOOD) - MODEL SERIES N1095 - WRAP TYPE



Art01079B

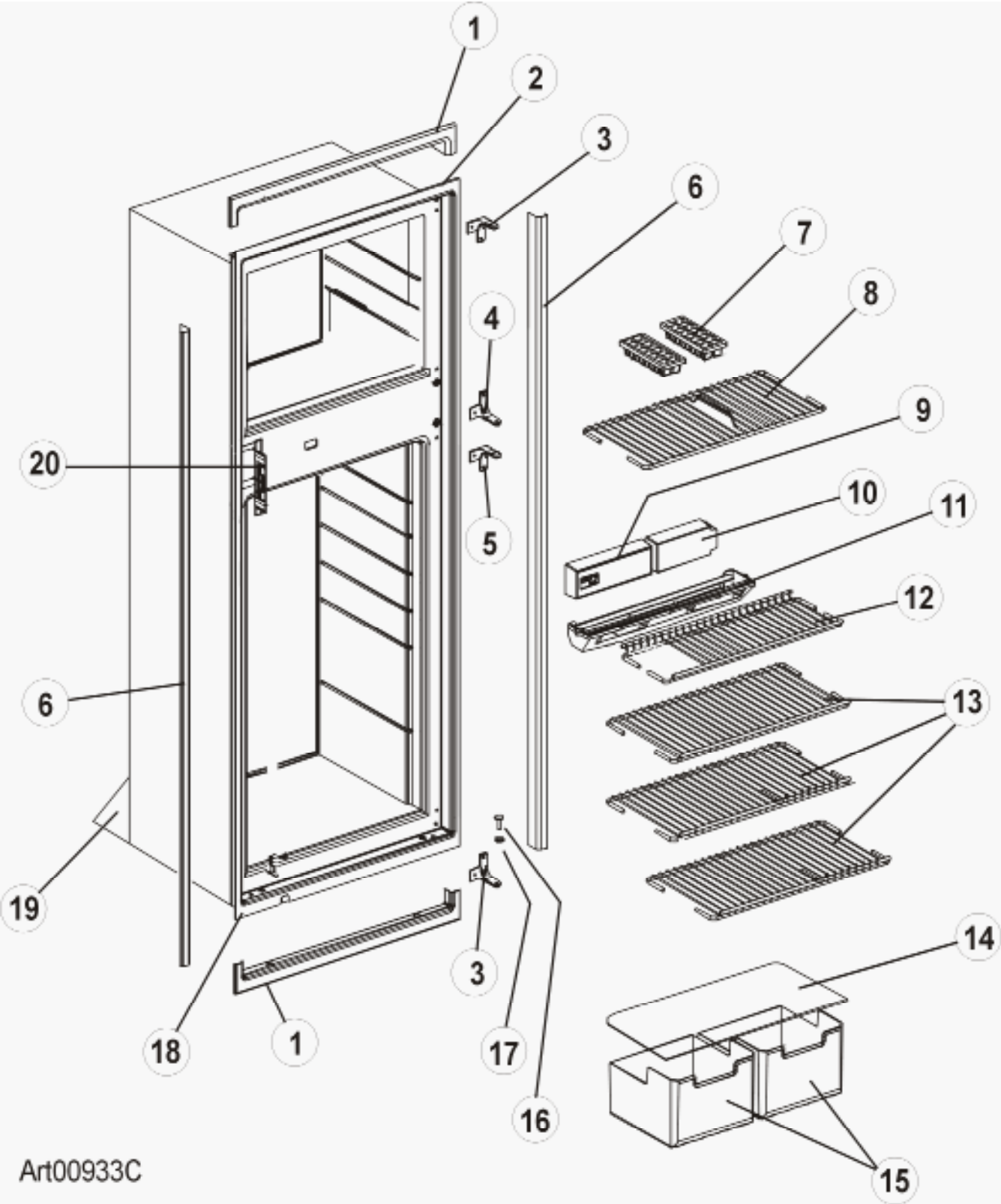
NO.	PART #	DESCRIPTION	N1095 WRAPPED DOORS		
			BLACK	STAINLESS	WHITE
1	618511	HINGE-DOOR SIDE/TOP RH/BTM LH/BLACK/WDL	X	X	X
2	619671	HINGE BUSHING-DOOR/WARM GRAY/WDL/SDL	X	X	X
3	625875	DOOR ASSY-LOWER/8'/WRAP/BLACK/WDL/POWDER COAT	X		
	627129	DOOR ASSY-LOWER/8'/WRAP/BLACK/SDL (USE 634067)	X		
	632738	DOOR ASSY-LOWER/8'/WRAP/AT/BLACK/SDL (FROM 07/10/08 TO S/N 12965198) (USE 634067)	X		
	634067	DOOR ASSY-LOWER/8'/WRAP/ANCO/BLACK/SDL (SERIAL # 12965199 & ABOVE)	X		
	623273	DOOR ASSY-LOWER/8'/WRAP/STAINLESS STEEL/WDL		X	
	630093	DOOR ASSY-LOWER/8'/WRAP/STAINLESS STEEL/SDL (USE 632737)		X	
	632737	DOOR ASSY-LOWER/8'/WRAP/AT/SS/SDL (FROM 06/25/08 TO S/N 12985380)		X	
	634064	DOOR ASSY-LOWER/8'/WRAP/ANCO/SS/SDL (SERIAL # 12985380 & ABOVE)		X	
	624145	DOOR ASSY-LOWER/8'/WRAP/WHITE/WDL			X
627128	DOOR ASSY-LOWER/8'/WRAP/WHITE/SDL			X	
4	621465	DOOR HANDLE ASSY-LOWER DOOR/RH SWING/PLASTIC/BLACK	X	X	X
5	622313	LATCH-STORAGE/DOOR/PLASTIC HANDLE/WARM GRAY	X	X	X
6	618510	HINGE-DOOR SIDE/TOP LH/BTM RH/BLACK/WDL	X	X	X
	619006	BIN-DOOR SHELF/SMALL/CLEAR/WDL (3 PER DOOR)	X	X	
	619005	BIN-DOOR SHELF/LARGE/CLEAR/WDL (1 PER DOOR)	X	X	X
	624864	BIN-DOOR SHELF/CLEAR/SDL	X	X	X
8	619008	DIVIDER-DOOR BIN/CLEAR (1 PER DOOR SHELF BIN)	X	X	X
NS	624866	WIRE-BIN/SDL	X	X	X
NS	619569	BOLT-CAP SHOULDER/TORX HEAD (NOT SHOWN)	X	X	X

WDL = WAFFLE DOOR LINER SDL = SMOOTH DOOR LINER

BK - BLACK SS = STAINLESS STEEL WH = WHITE (NO LONGER PRODUCED)

PART IS NO LONGER AVAILABLE

CABINET AREA (FRONT VIEW) - MODEL SERIES N1095



CABINET AREA (FRONT VIEW) - MODEL SERIES N1095

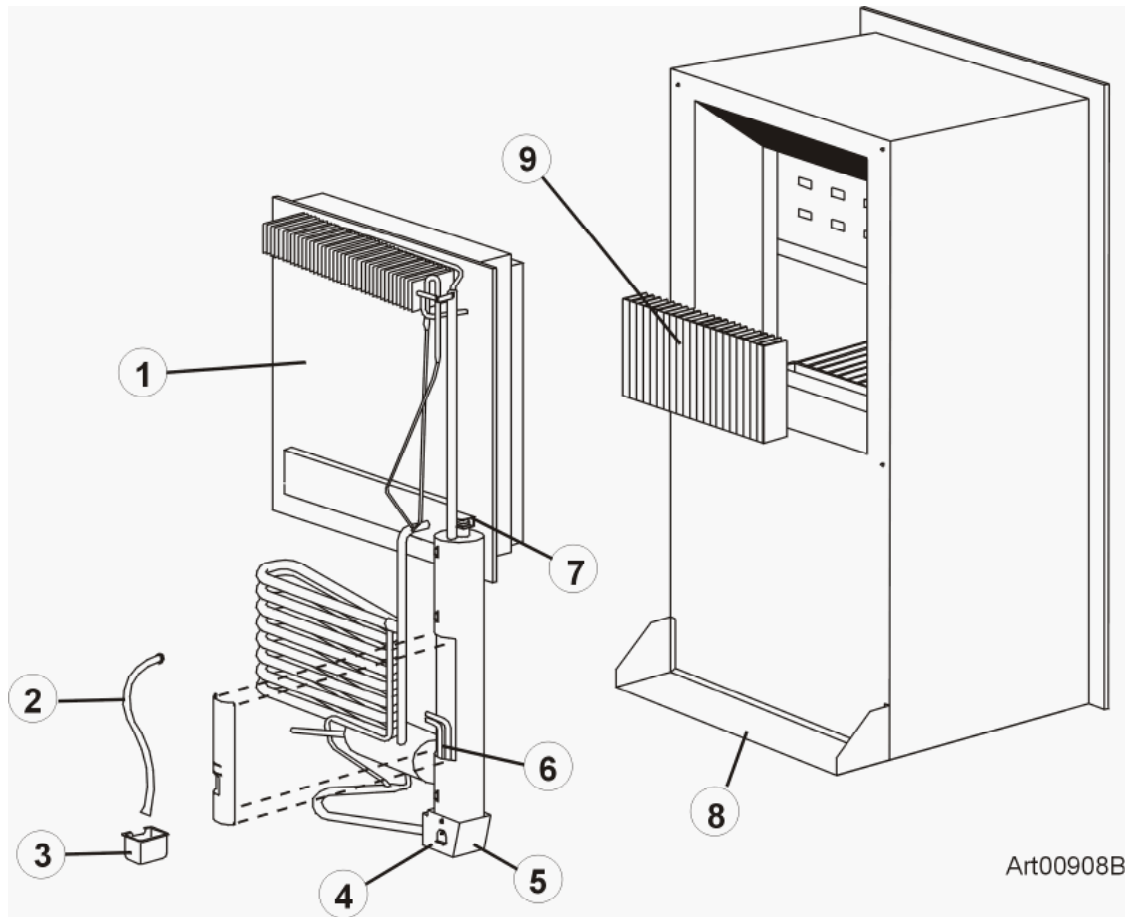
NO.	PART #	DESCRIPTION	N1095 N1095C	N1095IM N1095IMC
1	620915	KIT-INSTALLATION/BLACK (TRIM PIECES/SCREWS)	X	X
2	625184	BRACKET FOAM TAPE ASSY-TOP/MOUNTING	X	X
3	623550	HINGE-CABINET/TOP/BOTTOM/(PANEL/WDL)(WRAP/SDL)	X	X
	626659	HINGE-CABINET/TOP/BOTTOM/PANEL/SDL	X	X
	619335	HINGE-CABINET/3 POINT/TOP RH/BTM LH/BLACK/WDL (USE 624785)	X	X
	624785	HINGE-CABINET 10-32 UR/LL- BLACK	X	X
	623771	HINGE-CABINET/3 POINT/TOP RH/BTM LH/PANEL/BLACK/SDL	X	X
4	619336	HINGE-CABINET/3 POINT/TOP LH/BTM RH/BLACK/WDL	X	X
	623772	HINGE-CABINET/3 POINT/TOP LH/BTM RH/PANEL/BLACK/SDL	X	X
	624786	HINGE-CABINET/3 POINT/TOP LH/BTM RH/WRAP/BLACK/SDL	X	X
5	619335	HINGE-CABINET/3 POINT/TOP RH/BTM LH/BLACK/WDL	X	X
	623771	HINGE-CABINET/3 POINT/TOP RH/BTM LH/PANEL/BLACK/SDL	X	X
	624785	HINGE-CABINET/3 POINT/TOP RH/BTM LH/WRAP/BLACK/SDL	X	X
6	625185	TRIM PIECE FOAM TAPE ASSY-CABINET/SIDE/10"/BLACK	X	X
7	61630422	ICE CUBE TRAY-PLASTIC (NON ICE MAKER MODELS ONLY)(2 PER CABINET)	X	
8	620982	SHELF-WIRE/FREEZER (S/N 18821633 AND BELOW)	X	X
	632452	SHELF-WIRE/FREEZER (S/N 18821634 AND ABOVE)	X	X
9	628976	CONTROL ASSY-OPTICAL/BLACK (SERIAL# 9045738 & ABOVE)	X	X
	619665	CONTROL ASSY-OPTICAL/BLACK (SERIAL# 9045737 & BELOW) (LIMITED QUANTITIES)	X	X
	633287	KIT-CONTROL ADAPTER (SERIAL# 9045737 & BELOW)	X	X
10	619282	FRONT BOX-BLACK	X	X
11	623250	DRIP TRAY-INSIDE (ONE PIECE)	X	X
12	623713	SHELF-WIRE/CUTOUT (S/N 18821633 AND BELOW)	X	X
	632457	SHELF-WIRE/CUTOUT (S/N 18821634 AND ABOVE)	X	X
13	623712	SHELF-WIRE/FULL (S/N 18821633 AND BELOW)	X	X
	632456	SHELF-WIRE/FULL (S/N 18821634 AND ABOVE)	X	X
NS	623121	CLAMP-SHELF RETAINING LOOP 3/8"	X	X
14	620985	CRISPER COVER-GLASS SHELF	X	X
15	621070	BIN-CRISPER	X	X
16	618145	HINGE PIN (PANEL/WDL)(WRAP/SDL)	X	X
	61550722	HINGE PIN-BOTTOM/SDL	X	X
	623899	HINGE PIN-UPPER/LOWER/BLACK (PANEL/SDL) (USE 638780)	X	X
	638780	KIT SERVICE UPPER HINGE PIN REPLACEMENT	X	X
17	619671	HINGE BUSHING-DOOR/WARM GRAY	X	X
18	625183	BRACKET FOAM TAPE ASSY-BOTTOM/MOUNTING	X	X
19	61586722	BRACE-CABINET/BACK	X	X
20	618167	STRIKE PLATE-BLACK	X	X

WDL = WAFFLE DOOR LINER

SDL = SMOOTH DOOR LINER

 PART IS NO LONGER AVAILABLE

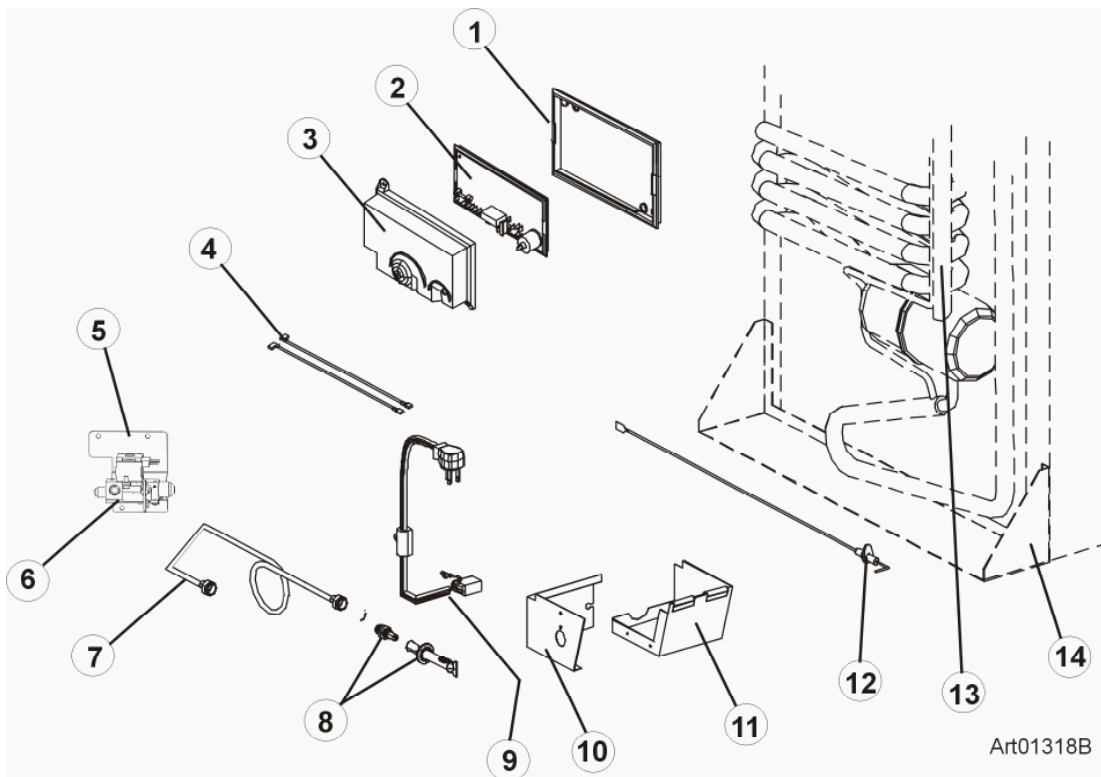
CABINET AREA (REAR VIEW/COOLING UNIT) - MODEL SERIES N1095



NO.	PART #	DESCRIPTION	N1095 N1095C	N1095IM N1095IMC
1	632316	NSC SYSTEM PACK-COOLING UNIT/N1095/ (BACKER HEATER)	X	X
	2M0802	KIT-THERMAL SWITCH/BRACKET ASSY (SEE NOTE)	X	X
NS	618111	BAFFLE DIFFUSER/WIRE ASSY-COOLING UNIT (NOT SHOWN)	X	X
2	622391	DRAIN HOSE ASSY	X	X
3	622546	DRIP CUP-REAR/PLASTIC	X	X
4	61712637	COVER ASSY-BURNER BOX	X	X
5	61695322	BASE-BURNER BOX	X	X
6	621702	HEATER-AC (COOLING UNIT SERIAL# 11232007 & BELOW)	X	X
	630811	HEATER-AC/BACKER (COOLING UNIT SERIAL# 11232008 & ABOVE)	X	X
7	61695022	CAP-HEAT DEFLECTOR	X	X
8	61586722	BRACE-CABINET/BACK	X	X
9	61686823	FINS	X	X
NS	625005	BAFFLE ASSY-REAR HEAT (NOT SHOWN)	X	X

NOTE: FOR COOLING UNITS WITH A THERMAL SWITCH.

CONTROLS (REAR VIEW) - MODEL SERIES N1095



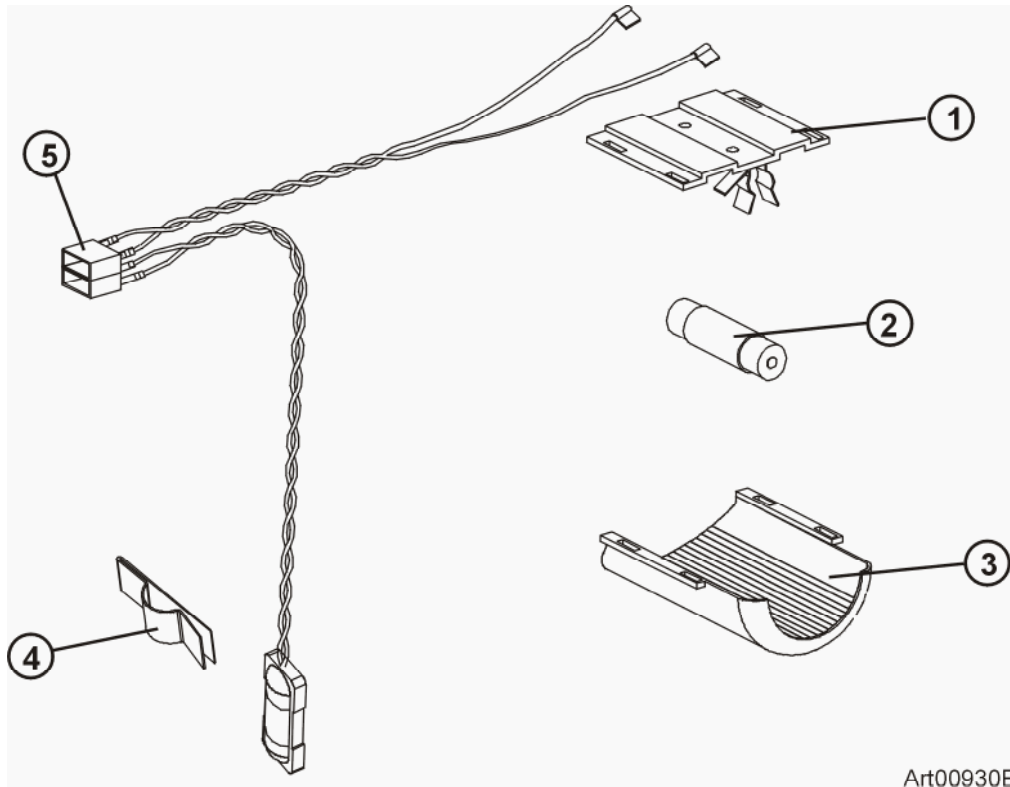
Art01318B

NO.	PART #	DESCRIPTION	N1095 N1095C	N1095IM N1095IMC
1	618186	BASE-POWER BOARD (9045737 & BELOW)	X	X
	628674	BASE-POWER BOARD (9045738 & ABOVE)	X	X
2	621269001	KIT-POWER BOARD (9045737 & BELOW)	X	X
	628661	POWER BOARD (9045738 & ABOVE)	X	X
3	618185	COVER-POWER BOARD (9045737 & BELOW)	X	X
	628677	COVER-POWER BOARD (9045738 & ABOVE)	X	X
4	621448	WIRE-WHITE/9"/GAS VALVE	X	X
5	624681	BRACKET-MOUNTING/GAS VALVE (9185698 & BELOW)	X	X
	628993	BRACKET-MOUNTING/GAS VALVE (9185699 & ABOVE)	X	X
6	621334	KIT-GAS VALVE/BRACKET/WIRES (9185698 & BELOW)	X	X
	633726	GAS VALVE-SOLENOID (9185699 & ABOVE)	X	X
7	624682	BURNER TUBE	X	X
8	621957	KIT-BURNER/ORIFICE ADAPTER ASSY	X	X
9	61554422	CORD-AC POWER/BLACK	X	X
NS	621755	CORD-POWER/ICE MAKER/WHITE (NOT SHOWN)		X
10	61712637	COVER ASSY-BURNER BOX	X	X
11	61695322	BASE-BURNER BOX	X	X
12	61692222	ELECTRODE-SPARK/SENSE/SINGLE ELECTRODE/0.25" (USE 638097)	X	X
	638097	KIT SERVICE SPARK SENSE ELECTRODE REPLACEMENT	X	X
13	632316	NSC SYSTEM PACK-COOLING UNIT/N1095 (BACKER HEATER)	X	X
14	61586722	BRACE-CABINET/BACK	X	X

NS = NOT SHOWN

NOTE: IF THE CONTROL ASSY-OPTICAL HAS BEEN REPLACED WITH A KIT-CONTROL ADAPTOR, THE POWER BOARD MUST BE REPLACED WITH A NEW KIT-CONTROL ADAPTER.

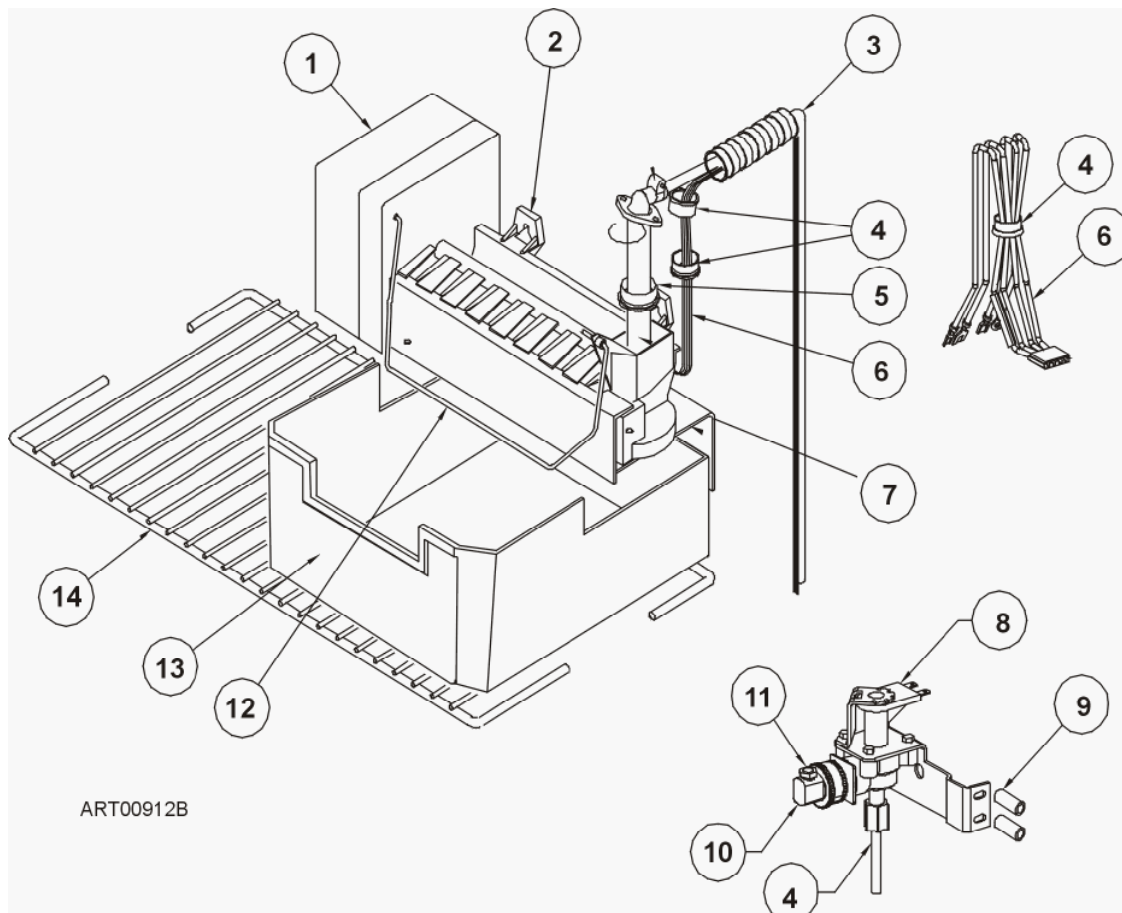
INTERIOR LIGHT AND THERMISTER ASSY - MODEL SERIES N1095



Art00930B

NO.	PART #	DESCRIPTION	N1095 N1095C	N1095IM N1095IMC
1	61629722	LAMP BRACKET ASSY	X	
2	632545	LAMP-DC LIGHT BULB	X	X
3	621827	COVER-LAMP BRACKET	X	X
4	633734	CLIP-THERMISTER MOUNTING/ADHESIVE BACK	X	X
5	620871	LAMP THERMISTER WIRE ASSY	X	X

ICE MAKER AREA - MODEL SERIES N1095 (ICE MAKER MODELS)



ART00912B

NO.	PART #	DESCRIPTION	N1095IM N1095IMC
1	61656822	COVER-FRONT/ICE MAKER	X
2	633324	KIT-ICE MAKER	X
	637582	KIT SERVICE IM REPLACEMENT	X
3	621429	WATER TUBE/HEATER ASSY/FOR ICE MAKER	X
4	61346822	BUSHING-SNAP	X
5	620951	FITTING-WATER TUBE	X
6	618407	WIRING HARNESS-IM	X
7	621484	BRACKET-IM MOUNTING	X
8	633325	KIT-WATER VALVE-SINGLE PORT	X
9	618169	SPACER-WATER VALVE/NYLON	X
10	61679622	GARDEN HOSE ADAPTER-STRAIGHT/IM	X
11	622991	NUT-COMPRESSION/WATER VALVE FITTING/IM/PLASTIC	X
	622846	NUT-COMPRESSION/WATER VALVE FITTING/IM/BRASS	X
12	61656922	SHUT OFF ARM/IM	X
13	619007	BIN-ICE/CRISPER/CLEAR	X
14	620982	SHELF-WIRE/FREEZER	X
NS	61692622	SLEEVE-BALL/.25"/TUBE COMPRESSION RING/BRASS (NOT SHOWN)	X
NS	620240	THERMOSTAT-IM HEATER ASSY (NOT SHOWN)	X
NS	622835	INSERT-BRASS/.040"/OEM WATER LINE/IM (NOT SHOWN)	X
NS	623181	SLEEVE-BALL/.25"/TUBE COMPRESSION RING/PLASTIC (NOT SHOWN)	X
NS	623182	KIT-OEM WATER TUBE FITTINGS/IM	X

NS = NOT SHOWN

NO Longer Available

FAN SYSTEM COMPONENTS - MODEL SERIES N1095

NOTE: LOWER FAN POSITION - MODELS WITH SERIAL # BELOW 9056492

PART #	DESCRIPTION	WITHOUT ICE MAKER	WITH ICE MAKER	HIGH VELOCITY WITHOUT ICE MAKER	HIGH VELOCITY WITH ICE MAKER
618857	BRACKET-DC FAN	1	1	1	1
619016	BRACKET-FAN SUPPORT	1	1	1	1
61417922	CABLE TIE-NYLON	3	4	3	4
618856	FAN-EXTERNAL DC	1	1		
623442	FAN-EXTERNAL DC/HIGH VELOCITY			1	1
618093	THERMOSTAT-DC FAN/THERMO DISC	1	1	1	1
618950	WIRE MOUNT-ADHESIVE	2	2	2	2
621943	WIRE-60" (FAN MODELS)	1	1	1	1
621431	WIRE-AUXILLARY/BLACK/POSITIVE (+)	1		1	
621430	WIRE-AUXILLARY/RED/NEGATIVE (-)	1		1	
618700	WIRE-BLACK/24"/18 GA	1	1	1	1
619017	WIRE-BLACK/6"/18 GA		1		1
618978	WIRE-FAN/RED/6"/18 GA/12V		1		1
618701	WIRE-RED/36"/18 GA	1	1	1	1

NOTE: LOWER FAN POSITION - MODELS WITH SERIAL # 9056492 TO 10083091

PART #	DESCRIPTION	WITHOUT ICE MAKER	WITH ICE MAKER	HIGH VELOCITY WITHOUT ICE MAKER	HIGH VELOCITY WITH ICE MAKER
618857	BRACKET-DC FAN	1	1	1	1
619016	BRACKET-FAN SUPPORT	1	1	1	1
61417922	CABLE TIE-NYLON	3	4	3	4
618856	FAN-EXTERNAL DC	1	1		
623442	FAN-EXTERNAL DC/HIGH VELOCITY			1	1
618093	THERMOSTAT-DC FAN/THERMO DISC	1	1	1	1
618950	WIRE MOUNT-ADHESIVE	2	2	2	2
621943	WIRE-60" (FAN MODELS)	1	1	1	1
628758	WIRE-AUXILLARY/OUTPUT/BLACK	1		1	
628759	WIRE-AUXILLARY/OUTPUT/RED	1		1	
619017	WIRE-BLACK/6"/18 GA		1		1
628999	WIRE-NEGATIVE/AUXILLARY TO Y CONNECTION	1	1	1	1
618978	WIRE-RED/6"/18 GA/12V		1		1
618701	WIRE-RED/36"/18 GA	1	1	1	1

NOTE: UPPER FAN POSITION - MODELS WITH SERIAL # ABOVE 10083091

PART #	DESCRIPTION	WITHOUT ICE MAKER	WITH ICE MAKER	HIGH VELOCITY WITHOUT ICE MAKER	HIGH VELOCITY WITH ICE MAKER
628747	BRACKET-DC FAN	1	1	1	1
61417922	CABLE TIE-NYLON	3	4	3	4
628685	FAN-EXTERNAL DC	1	1		
623442	FAN-EXTERNAL DC/HIGH VELOCITY			1	1
618093	THERMOSTAT-DC FAN/THERMO DISC	1	1	1	1
629883	WIRE ASSY	1	1	1	1
629882	WIRE ASSY	1	1	1	1
618950	WIRE MOUNT-ADHESIVE	2	2	2	2
621943	WIRE-60" (FAN MODELS)	1	1	1	1
628758	WIRE-AUXILLARY/OUTPUT/BLACK	1	1	1	1
628759	WIRE-AUXILLARY/OUTPUT/RED	1	1	1	1
619017	WIRE-BLACK/6"/18 GA		1		1
618978	WIRE-FAN/RED/6"/18 GA/12V		1		1