



PARTS LIST

DC340 SERIES

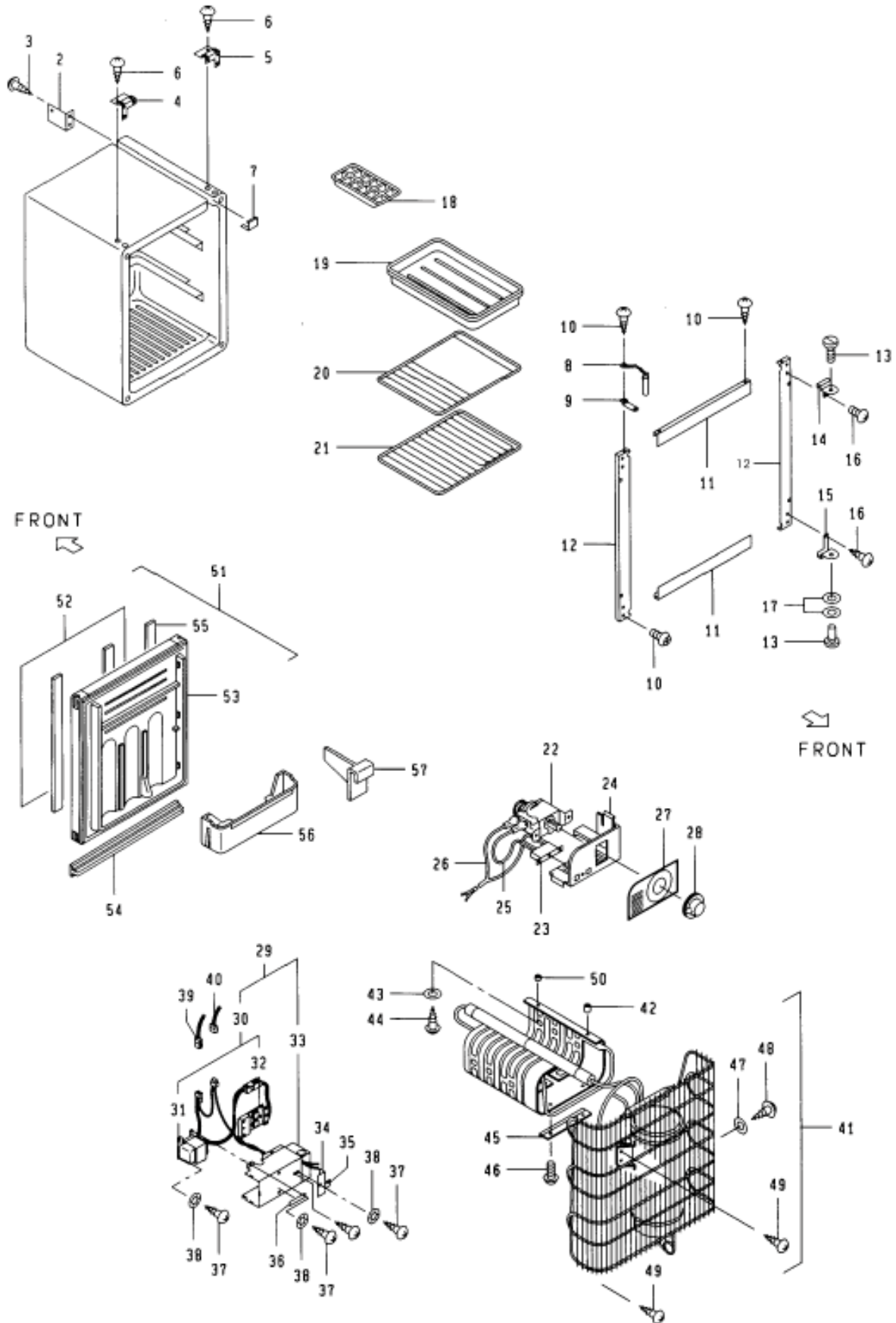
DC340D

DC340F

DC340K

PART # 619718
NORCOLD 10/29/2002

REFRIGERATOR ASSEMBLY - DC340 SERIES



REFRIGERATOR ASSEMBLY - DC340 SERIES

NO.	PART #	DESCRIPTION	DC340D	DC340F	DC340K
2	322117100	SUPPORT-"L"	X	X	X
3	80830441210	SCREW-TRUSS TAPPING/M4x12	X	X	X
4	322031000	SUPPORT-TOP LH HINGE NUT PLATE	X	X	X
5	322031100	SUPPORT-TOP RH HINGE NUT PLATE	X	X	X
6	80830431210	SCREW-TAPPING/M4x12	X	X	X
7	404005000	BUSHING-"I"/TOP RH CABINET	X	X	X
8	160207600	TRAVEL PIN ASSY-0.75"	X	X	X
9	322056100	SUPPORT-TRAVEL PIN	X	X	X
10	80830430830	SCREW-TAPPING	X	X	X
11	323006430	CABINET FRAME-BLACK/TOP/BOTTOM	X	X	X
12	323006530	CABINET FRAME-BLACK/SIDE	X	X	X
13	505502330	HINGE PIN-0.625"	X	X	X
14	322055900	HINGE-TOP RIGHT/BOTTOM LEFT	X	X	X
15	322056000	HINGE-BOTTOM RIGHT/TOP LEFT	X	X	X
16	8083043125	SCREW-TAPPING	X	X	X
17	8300087001	WASHER	X	X	X
18	160203000	ICE CUBE TRAY	X	X	X
19	433000000	DRAINAGE PAN	X	X	X
20	523001500	SHELF-FOR DRAINAGE PAN	X	X	X
21	523001610	SHELF-TURNOVER/DC440/DC340	X	X	X
NS	422101510	CAP-BLACK/INSTALLATION HOLES (USE 61309222)(NOT SHOWN)	X	X	X
22	603200921	THERMOSTAT-DC340 (USE 603200910)	X	X	X
	603200910	THERMOSTAT-DC340/DC351	X	X	X
23	603604000	CIRCUIT BREAKER-DC340/DC351	X	X	X
24	422501700	COVER-THERMOSTAT	X	X	X
25	190942100	CORD WITH TERMINAL	X	X	X
26	191214600	CORD ASSY	X	X	X
27	545020771	MARK	X	X	X
28	160203200	KNOB-THERMOSTAT/BLACK	X	X	X
29	16011395008	KIT-POWER SUPPLY	X	X	X
	160102990	POWER SUPPLY-DC351D/DC340D (USE 16011395008)	X		
	160104370	POWER SUPPLY-DC340F/DC351F (USE 16011395008)		X	
	160112800	POWER SUPPLY-DC340K (USE 16011395008)			X
30	163007430	OSCILLATOR & TRANSFORMER (USE 16000395008)	X	X	
	163007490	OSCILLATOR & TRANSFORMER-KENWORTH (USE 16011395008)			X
31	196008720	TRANSFORMER ASSY-DC340/DC351 (USE 16011395008)	X	X	
	196015300	TRANSFORMER ASSY-DC340K (USE 16011395008)			X
32	163008510	OSCILLATOR ONLY (USE 16011395008)	X	X	X
33	163204100	CASE ASSY	X	X	X

(CONTINUED ON PAGE 4)

REFRIGERATOR ASSEMBLY - DC340 SERIES

(CONTINUED FROM PAGE 3)

NO.	PART #	DESCRIPTION	DC340D	DC340F	DC340K
34	322119100	COVER-DC WIRES	X	X	X
35	546017100	CAUTION PLATE	X	X	X
36	546028011	CAUTION PLATE	X	X	X
37	80840430810	SCREW-TRUSS TAPPING/M4x8	X	X	X
38	83400400010	WASHER-TEETH LOCK	X	X	X
39	191216111	CORD ASSEMBLY A	X	X	X
40	190219000	CORD ASSEMBLY B	X	X	X
41	161007800	COOLING UNIT	X	X	X
42	422300800	HOLDER-"I"/EVAPORATOR	X	X	X
43	403001700	WASHER-"I"	X	X	X
44	80800441620	SCREW-TAPPING/M4x16	X	X	X
45	320200001	HOLDER-THERMOSTAT BULB	X	X	X
46	8000040064	SCREW-TRUSS/M4x6	X	X	X
47	322005310	HOLDER-CONDENSER WASHER	X	X	X
48	80800441620	SCREW-TAPPING/M4x16	X	X	X
49	80830441210	SCREW-TRUSS TAPPING/M4x12	X	X	X
50	422000200	COLLAR-"I"/EVAPORATOR	X	X	X
NS	160924930	FAN ASSY-DC (USE 16092493008)(NOT SHOWN)		X	
NS	16092493008	FAN KIT ASSY-DC340D(NOT SHOWN)	X	X	
NS	16092493019	FAN KIT ASSY-DC340F(NOT SHOWN)		X	
NS	621775	WIRING PICTAIL-PACCAR (POWER SUPPLY TO DC SOURCE)			X
51	160026320	DOOR ASSY	X	X	X
52	302311420	DOOR PANEL-BLACK	X	X	X
53	160923310	DOOR FRAME ASSY-FOAMED LINER	X	X	X
54	427602710	DOOR FRAME-BOTTOM/GRAY (USE 427602711)	X	X	X
	427602711	DOOR FRAME-BOTTOM/GRAY	X	X	X
55	412006660	CUSHION-DOOR ASSY/VERTICAL/FOAM	X	X	X