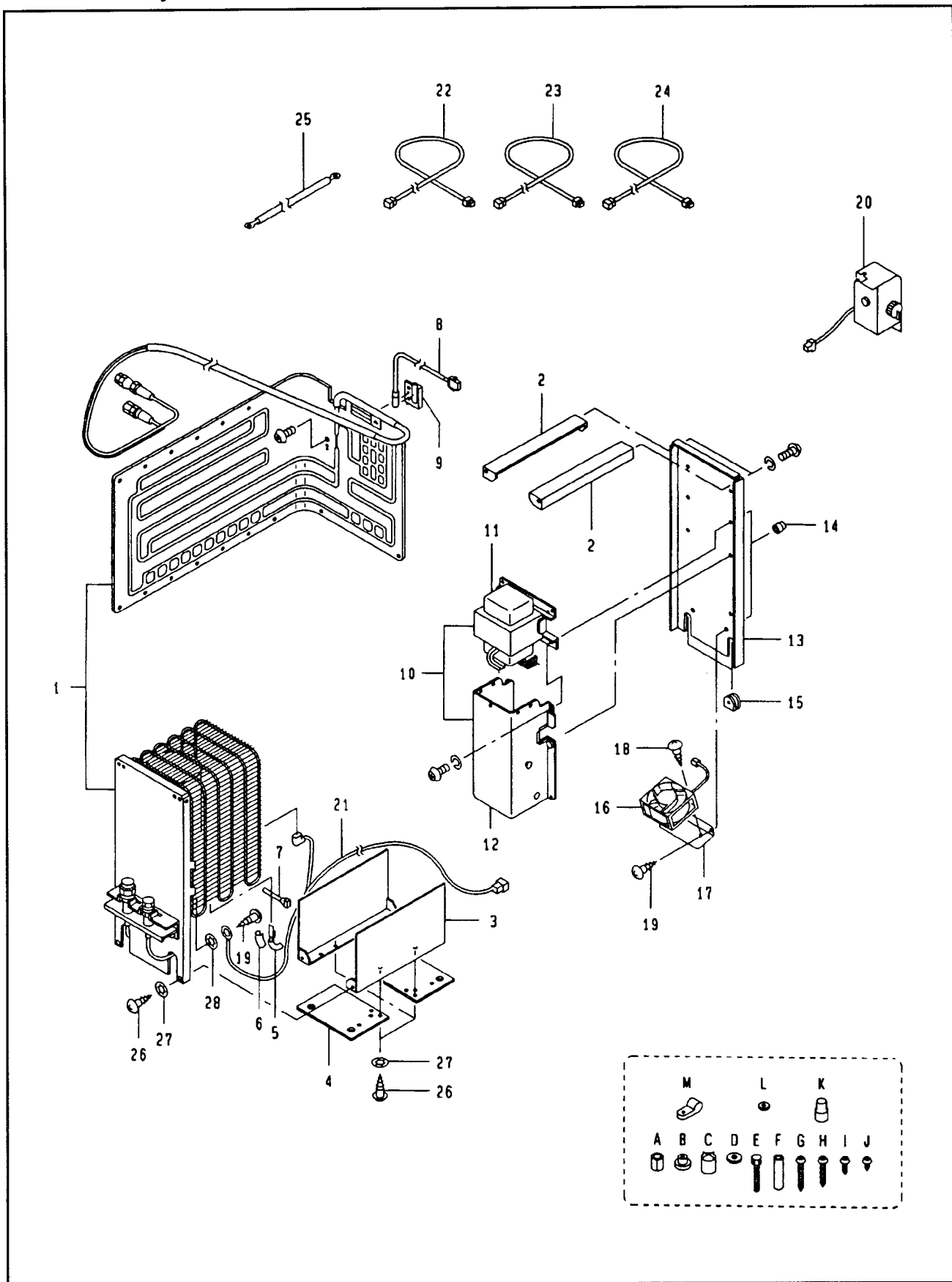




Parts List

SCQT 3407

Final Assembly - SCQT-3407D



Final Assembly

Index No.	Part No.	Description	SQRT 3407D
1	161008600	Cooling Unit (CFC Free)	*
2	322223530	Support (Evaporator)	*
3	322223540	Support	*
4	302208520	S Plate	*
5	605503301	Thermister (Wire Condenser)	*
6	410110200	Cap (Thermister)	*
7	645105900	Fastener	*
8	605503202	Thermister (Evaporator)	*
9	422305000	Holder (Thermister) (At Evaporator)	*
10	16011000	Power Supply	*
11	196013100	Transformer Assembly	*
12	163008900	Oscillator ONLY	*
NS	430211100	Plate ("I")	*
NS	322119100	Cover (DC Wires)	*
NS	601600010	Grommet (Strain Relief)	*
NS	191203410	Cord Assembly (AC)	*
NS	645100010	Fastener	*
NS	601034030	Coupler	*
NS	601033300	coupler	*
NS	416018800	Grommet	*
13	322333040	Plate (Power Supply)	*
14	502007900	Caped Nut	*
15	416009800	Cushion (Power Supply)	*
16	160921400	Fan Assembly	*

Final Assembly continued

Index No.	Part No.	Description	SQRT 3407D
17	322134000	Holder (Fan)	*
18	80840433010	Screw (Tapping)	*
19	8083043083	Screw (Tapping)	*
20	160107200	Thermostat	*
21	190228600	Coupler Assembly	*
22	191224720	Cord Assembly	*
23	191224800	Extension Cord Assembly (Evaporator Thermister)	*
24	191224820	Cord Assembly	*
25	192116605	Cord With Terminal (Ground Cord)	*
26	8080053103	Screw (Tapping)	*
27	8340050001	Washer (Teeth Lock)	*
28	8340040001	Washer (Teeth Lock)	*
A	412000700	Cushion (Condenser Holder)	*
B	412010500	Cushion	*
C	412010500	Cushion	*
D	503005500	Washer	*
E	501031800	Bolt	*
F	240013520	Collar	*
G	500802200	Screw (Tapping)	*
H	8080041252	Screw (For Evaporator)	*
I	8080044162	Screw (Tapping)	*
J	8080044081	Screw (Tapping)	*
K	645105700	Fastener	*
L	8320052001	Washer (Spring)	*
M	645103210	Holder (For Excess Tubing)	*