



PARTS LIST

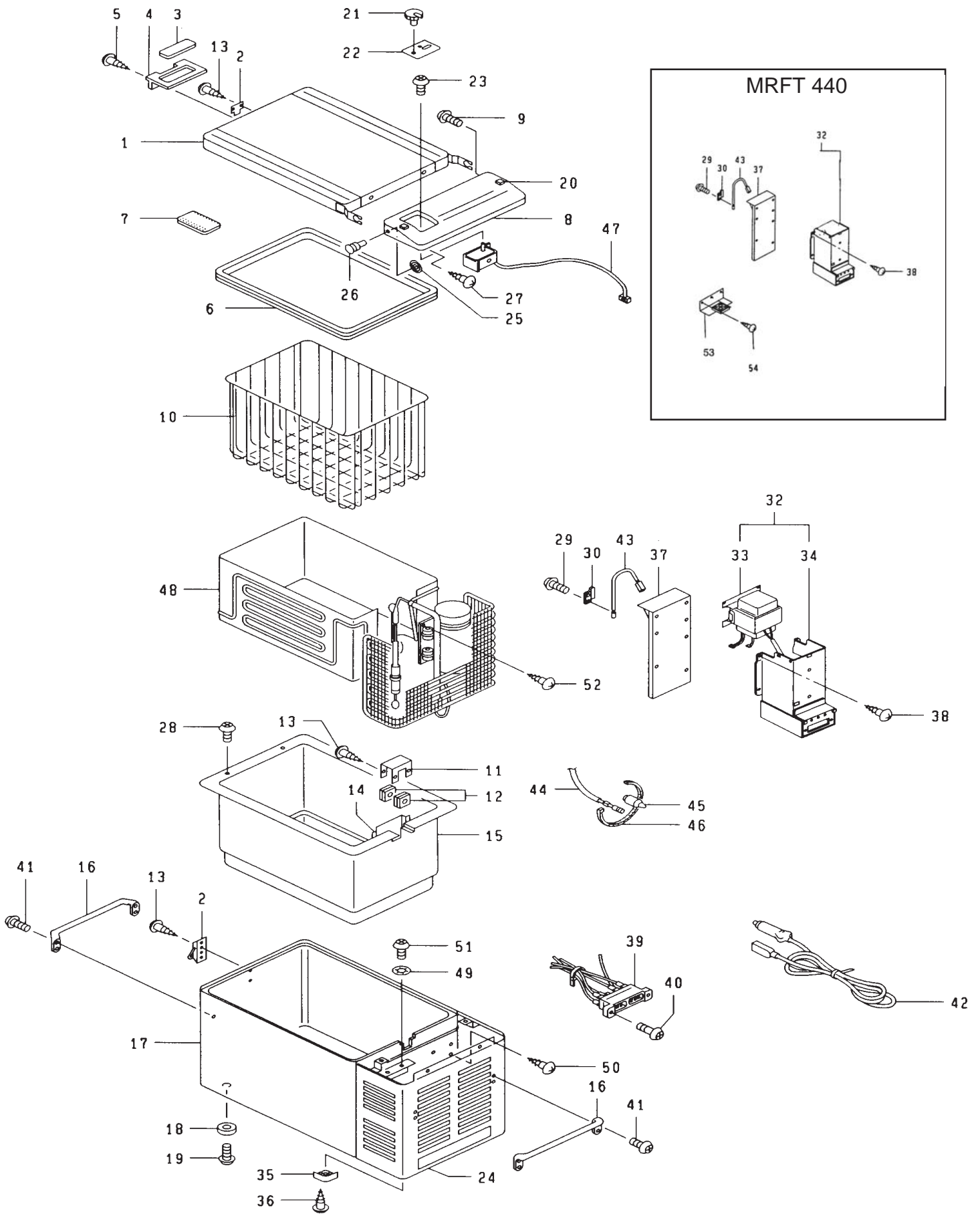
MODELS

MRFT 330D

MRFT 340D

Revision B
Part No. 619724
Norcold 11/09/2011

Final Assembly



Final Assembly

NO	PART NO	DESCRIPTION	MRFT-330D	MRFT-340D
1	16000620	DOOR ASSEMBLY (GRAY DOOR CASE)	X	X
2	626000500	LATCH ASSEMBLY	X	X
3	545007702	MARK (NORCOLD, BLACK, W/GRAY CABINET)	X	X
4	422500401	DOOR HANDLE (WITHOUT NORCOLD MARK)	X	X
5	8081044121	SCREW (TAPPING)	X	X
6	414801600	DOOR GASKET (GRAY DOOR ASSEMBLY)	X	X
7	546029500	CAUTION PLATE	X	X
8	160209200	COVER ASSEMBLY (GRAY)	X	X
9	5008040104	SCREW	X	X
10	523000301	BASKET	X	
	523000800	BASKET		X
11	433000900	COVER (PIPE)	X	X
12	416006300	BUSHING (FOR PIPE COVER)	X	X
13	8085034122	SCREW (TAPPING)	X	X
14	421100900	BLIND COVER	X	X
15	43200470	INNER CASE (CABINET)	X	
	433201140	INNER CASE (CABINET)		X
16	323300550	HANDLE (GRAY)	X	X
17	160025500	CABINET		X
	160025600	CABINET	X	
18	412013900	CUSHION (RUBBER LEGO)	X	X
19	800106081	SCREW	X	X
20	641200000	CUSHION (COVER ASSEMBLY)	X	X
21	1602067000	THERMOSTAT KNOB	X	X
22	545026105	MARK THERMOSTAT	X	X
23	8081044121	SCREW (TAPPING)	X	X
24	160922100	CASE COVER ASSEMBLY (GRAY, LWR, RMVBL)		X
	160922200	CASE COVER ASSEMBLY (GRAY, LWR, RMVBL)	X	
25	360003900	SPEED NUT	N/A	N/A
26	502200500	HINGE PIN (COVER ASSEMBLY)	N/A	N/A
27	8083043102	SCREW (TAPPING)	X	X
28	645104100	FASTENER (PLASTIC RIVET)	X	X
29	8080043082	SCREW	X	X

Final Assembly

NO	PART NO	DESCRIPTION	MRFT-330D	MRFT-4340D
30	422305000	HOLDER (THERMISTER AT EVAPORATOR)	X	X
32	160107900	POWER SUPPLY (NO PLATE ASSEMBLY)	X	X
	160113800	OSCILLATOR		
33	196013100	TRANSFORMER ONLY	X	X
34	163008100	OSCILLATOR ONLY	X	X
35	427400900	CUSHION (EXTERIOR CORNER)	X	X
36	500803300	SCREW (TAPPING)	X	X
37	613207500	PLATE ASSY	X	X
	322364500	PLATE ASSY	X	X
38	8084043081	SCREW (TRUSS TAPPING 4X8)	X	X
39	163205502	TERMINAL BLOCK	X	X
40	8085034101	SCREW (TAPPING)	X	X
41	8340040001	WASHER (TEETH LOCK)	X	X
NS	191213340	AC CORD ASSEMBLY	X	X
42	191222300	DC CORD ASSEMBLY	X	X
43	605503200	THERMISTER (EVAPORATOR)	X	X
	605505410	THERMISTER (EVAPORATOR)		
44	605503301	THERMISTER (WIRE CONDENSER)	X	X
45	410110200	CAP (THERMISTER)	X	X
46	645105900	FASTENER	X	X
47	160107250	THERMOSTAT	X	X
	1601114400	THERMOSTAT		
48	16100710	COOLING UNIT (HFC 134A))	X	X
	161007720	COOLING UNIT (50 HZ HFC 134A))		
49	8085044121	SCREW (TAPPING)	X	X
50	8083043121	SCREW (TAPPING)	X	X
51	8000040121	SCREW	X	X
52	8050040104	SCREW	X	X
53		FAN ASSEMBLY	X	X
	160924950	FAN ASSEMBLY		
54	8083044121	SCREW		
		PART IS NO LONGER AVAILABLE		