



# PARTS LIST

## DCF788/DCR788 SERIES

### Freezer Models

DCF788B (Black Doors)

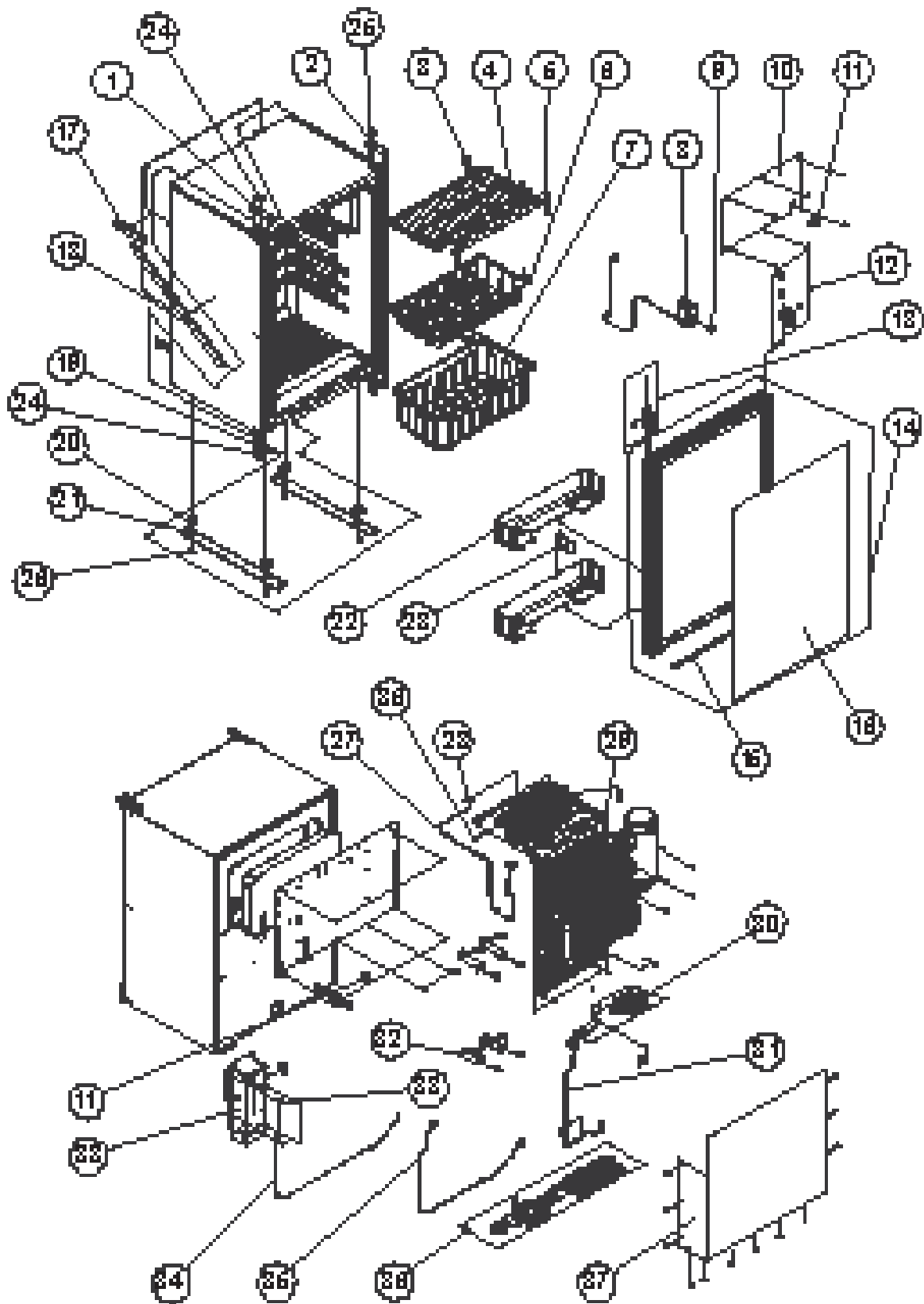
DCF788S (Stainless Doors)

### Refrigerator Models

DCR788B (Black Door)

DCR788S (Stainless Door)

DCF788, DCR788 SERIES



## DCF788, DCR788 SERIES

NO.	PN	DESCRIPT	DCF788B	DCF788S	DCR788B	DCR788S
1	3002 075 00	PLATE LATCH	X	X	X	X
2	1609 326 00	HINGE ASSY	X	X	X	X
3	6451 039 50	HOLDER-SHELF	X	X	X	X
4	5230 053 00	SHELF-TOP	X	X	X	X
5	5230 055 00	STOPPER-SHELF	X	X	X	X
6	5230 054 01	BASKET	X	X	X	X
7	4332 090 00	ICE BIN	X	X		
8	1601 209 00	THERMOSTAT-CONTROL ASSY	X	X		
8	1601 209 10	THERMOSTAT-CONTROL ASSY			X	X
9	1602 067 00	KNOB-THERMOSTAT	X	X	X	X
10	4303 070 00	PLATE-I	X	X	X	X
11	4160 042 00	BUSHING-I PLATE	X	X	X	X
12	4225 141 02	DOOR HANDLE ASSY-BLACK	X		X	
	636261	DOOR HANDLE ASSY-BLACK	X		X	
13	4225 141 12	DOOR HANDLE ASSY-STAINLESS		X		X
	636436	DOOR HANDLE ASSY-STAINLESS		X		X
14	1600 584 01	DOOR ASSY-BLACK/FREEZER MODELS	X			
	1600 584 11	DOOR ASSY-STAINLESS/FREEZER MODELS		X		
	1600 584 21	DOOR ASSY-BLACK/REFRIGERATOR MODELS			X	
	1600 584 31	DOOR ASSY-STAINLESS/REFRIGERATOR MODELS				X
15	4276 142 00	DOOR FRAME-BOTTOM PANEL RETAINER/BLACK	X		X	
	4276 142 10	DOOR FRAME-BOTTOM PANEL RETAINER/STAINLESS		X		X
16	3023 117 10	DOOR PANEL-BLACK	X		X	
	3023 117 40	DOOR PANEL-STAINLESS		X		X
17	4120 304 10	CUSHION-SHORT	X	X	X	X
18	4120 304 00	CUSHION-LONG	X	X	X	X
19	3041 110 40	PLATE-DOOR STOP	X	X	X	X
20	3223 019 00	SUPPORT-BOTTOM RAIL	X	X	X	X
21	3609 065 10	BOTTOM RAIL-SPACER/LEG	X	X	X	X
22	4225 089 00	DOOR POCKET-DOOR SHELF BIN	X	X	X	X
23	4225 086 00	PARTITION-DOOR POCKET	X	X	X	X
24	8050 050 10	SCREW M5*10 SUS	X	X	X	X
25	5010 427 00	BOLT M5*14	X	X	X	X
26	8010 060 20	SCREW M6*40	X	X	X	X
27	6055 054 20	THERMISTER-EVAPORATOR	X	X	X	X
28	4223 050 00	HOLDER-THERMISTER	X	X	X	X
29	1610 146 01	COOLING UNIT-60W/FREEZER MODELS	X	X		
	1610 146 11	COOLING UNIT-40W/REFRIGERATOR MODELS			X	X
30	1609 289 00	FAN MOTOR ASSY	X	X	X	X
31	6010 580 60	COUPLER ASSY-FAN ASSYS	X	X	X	X
32	3211 059 00	HOLDER-CONDENSER/COOLING UNIT	X	X	X	X
33	1601 206 20	POWER SUPPLY-DC/60W	X	X		
	1601 181 40	POWER SUPPLY-DC/40W			X	X
34	1921 166 07	CORD WITH TERMINAL	X	X	X	X
35	1902 647 10	COUPLER ASSY	X	X	X	X
36	1609 289 00	FAN MOTOR ASSY	X	X	X	X
37	3224 398 10	DUCT-COVER	X	X	X	X
38	8073 044 12	SCREW-TAPPING	X	X	X	X
	8083 044 12	SCREW-TAPPING/M4x12	X	X	X	X

PART IS NO LONGER AVAILABLE