



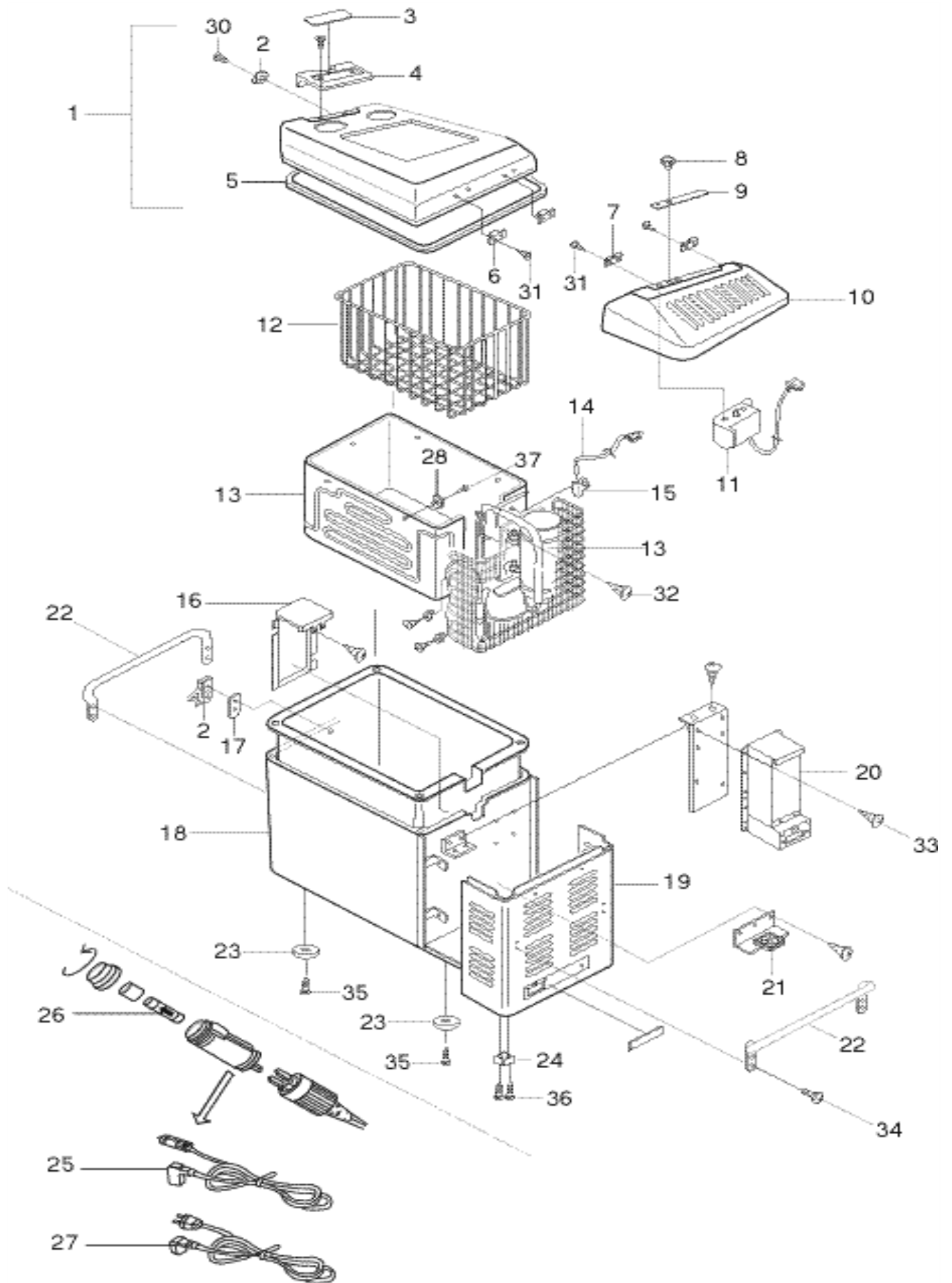
PARTS LIST

A diagram of a mechanical part. It consists of a vertical stem on the left side, which is connected to a semi-circular arc. The stem extends from a top horizontal line to the top of the arc, and from the bottom of the arc to a bottom horizontal line. A rectangular callout box points to the right side of the semi-circular arc.

MRFT40

PART NO. 622820
NORCOLD 12/08/2009

FINAL ASSEMBLY - MRFT40



FINAL ASSEMBLY - MRFT40

NO.	PART #	DESCRIPTION
1	160044800	DOOR ASSEMBLY
2	160935600	LATCH ASSEMBLY
3	545082120	MARK-DOOR HANDLE
4	422500401	DOOR HANDLE
5	414803100	DOOR GASKET
6 7	160934500	HINGE ASSEMBLY-SET
8	160206700	KNOB-THERMOSTAT
9	545082230	MARK
10	160220300	MOTOR COVER ASSY
11	160116900	THERMOSTAT
12	523003800	BASKET
13	161011610	COOLING UNIT
14	605505410	THERMISTER-EVAPORATOR
15	422305000	HOLDER
16	433003900	COVER PIPE
17	430113000	PLATE-"I"
18	160044700	CABINET ASSEMBLY
19	160934700	COVER ASSEMBLY-CASE
20	160116810	POWER SUPPLY
21	160928900	FAN ONLY
22	323301000	HANDLE-CABINET
23	412013900	CUSHION
24	427400930	CUSHION-CORNER
25	191240400	CORD ASSEMBLY-DC
26	160300200	FUSE-DC CORD/SPECIAL THERMAL/15 AMP
27	191241700	CORD ASSEMBLY-AC
28	422006710	HOLDER-EVAPORATOR
30	80810341220	SCREW - M3x12
31	80100401440	SCREW - M4x14
32	80830431210	SCREW - M4x12
33	80840430810	SCREW - M4x8
34	80500401040	SCREW - M4x10
35	80000161610	SCREW - M6x8
36	80830441210	SCREW - M4x12
37	80810442520	SCREW - M4x25