



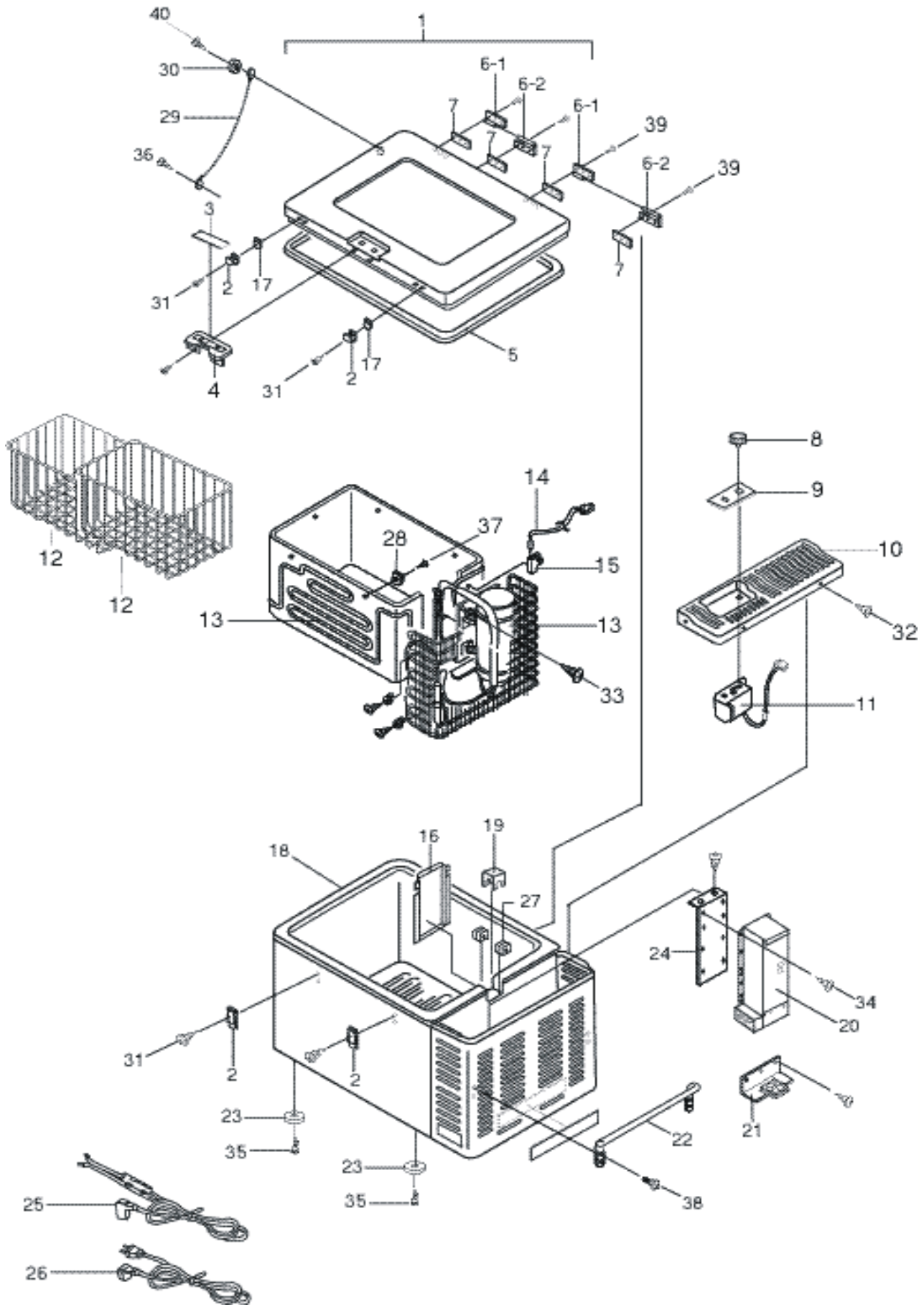
PARTS LIST

A large, stylized black outline of the letter 'C' is centered on the page. A horizontal grey rectangular bar with a thin black border is positioned across the middle of the 'C', containing the text "MRFT60".

MRFT60

PART NO. 622821
NORCOLD 01/08/2010

REFRIGERATOR ASSEMBLY - MRFT60



REFRIGERATOR ASSEMBLY - MRFT60

NO.	PART #	DESCRIPTION
1	160004870	DOOR ASSEMBLY
2	626000800	LATCH ASSEMBLY
3	545082120	MARK-DOOR HANDLE
4	422500401	DOOR HANDLE
5	414800800	DOOR GASKET
6-1	322117600	HINGE ASSEMBLY
6-2	160906100	HINGE ASSEMBLY
7	430111810	PLATE-"I"
8	160206700	KNOB-THERMOSTAT
9	545026160	MARK-CONTROL
10	160207800	MOTOR COVER ASSEMBLY
11	160116900	THERMOSTAT
12	523001800	BASKET
13	161012000	COOLING UNIT (BUILT 2001 THRU MARCH 2003)
	161013600	COOLING UNIT (BUILT APRIL 2003 AND AFTER)
14	605505430	THERMISTER-EVAPORATOR
15	422305000	HOLDER-THERMISTER
16	421103401	BLIND COVER
17	430112900	PLATE-"I"
18	160053020	CABINET ASSEMBLY
19	433000910	COVER PIPE
20	160117600	POWER SUPPLY
21	160928900	FAN ONLY
22	323300540	HANDLE-CABINET
23	412013900	CUSHION-RUBBER LEG
24	320303800	PLATE
25	191242210	CORD ASSEMBLY-DC
NS	624518	FUSE-DC CORD/GLASS/15 AMP (BUSSMAN FUSE MDL-15 OR LITTLE FUSE 313015)
26	191241700	CORD ASSEMBLY-AC
27	416006300	BUSHING-FOR PIPE COVER
28	422006700	CLIP-EVAPORATOR HOLDER/U SHAPED
29	160906300	CHAIN
30	360403000	HOLDER-CHAIN
31	50080480000	SCREW-M3x12
32	80830441230	SCREW-M4x12
33	80830431210	SCREW-M4x14/TAPPING
34	80830441210	SCREW-M4x8/TRUSS TAPPING
35	80010601410	SCREW-M6x14
36	80830441210	SCREW-M4x12/TRUSS TAPPING
37	80800441620	SCREW-TAPPING/M4x16
38	80500500890	SCREW-M5x8
39	80830441220	SCREW-TAPPING/M4x12
40	80800441620	SCREW-TAPPING/M4x16