



# PARTS LIST

## N61/N81 SERIES

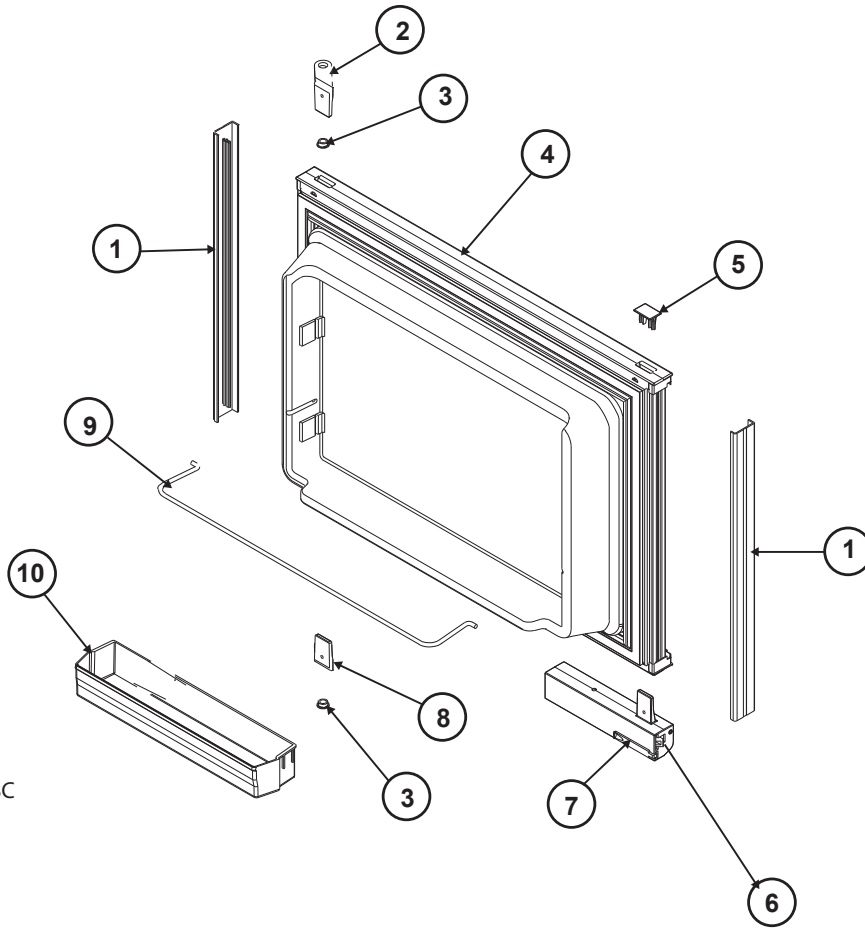
### N61 SERIES

N610  
N611  
N611C  
N611F  
N611J  
N611v  
N615  
N611VF

### N81 SERIES

N810  
N811  
N811C  
N811J  
N811F  
N811v  
N814F2  
N811VF

# UPPER DOOR (FREEZER) - N61/N81 SERIES

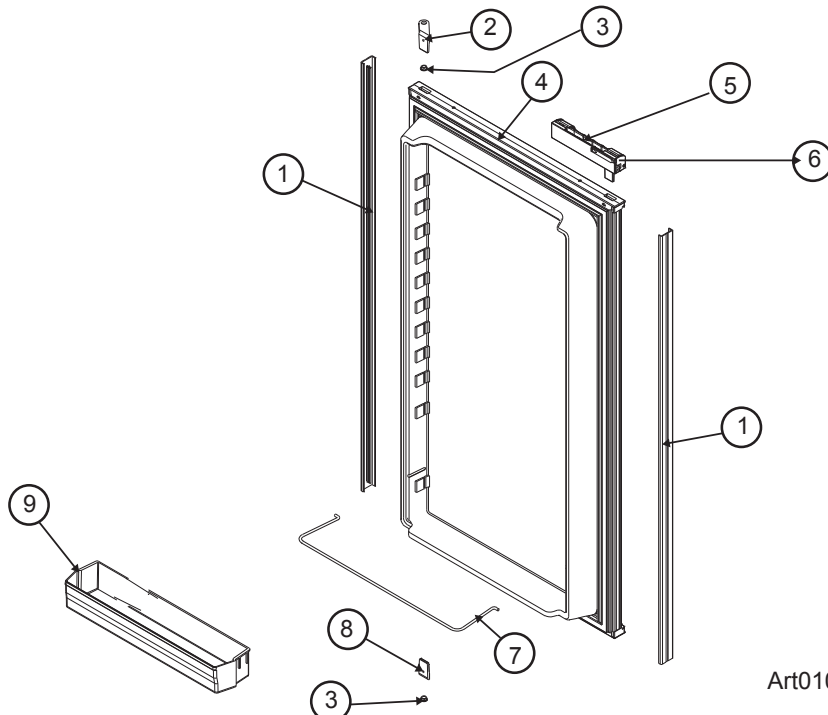


ART01078C

| NO. | PART # | PART DESCRIPTION                                       | SERIES |      |       |      |       |       |
|-----|--------|--|--------|------|-------|------|-------|-------|
|     |        |  | N610   | N611 | N611v | N810 | N811* | N811v |
| 1   | 619558 | PANEL RETAINER-UPPER DOOR/BLACK/WDL (2 PER DOOR)       |        | WDL  |       |      | WDL   |       |
|     | 622906 | PANEL RETAINER-UPPER DOOR/BROWN/WDL (2 PER DOOR)       | WDL    |      |       | WDL  |       |       |
|     | 623943 | PANEL RETAINER-UPPER DOOR/PANEL/BLACK/SDL (2 PER DOOR) |        | SDL  | SDL   |      | SDL   | SDL   |
|     | 624797 | PANEL RETAINER-UPPER DOOR/PANEL/BROWN/SDL (2 PER DOOR) | SDL    |      |       | SDL  |       |       |
| 2   | 618511 | HINGE-DOOR SIDE/TOP RH/BTM LH/BLACK/WDL                |        | WDL  |       |      | WDL   |       |
|     | 622924 | HINGE-DOOR SIDE/TOP RH/BTM LH/BROWN/WDL                | WDL    |      |       | WDL  |       |       |
| 3   | 619671 | HINGE BUSHING-DOOR/WARM GRAY/WDL                       | WDL    | WDL  |       | WDL  | WDL   |       |
| 4   | 619627 | DOOR ASSY-UPPER/PANEL/BLACK FRAME/WDL                  |        | WDL  |       |      | WDL   |       |
|     | 622897 | DOOR ASSY-UPPER/PANEL/BROWN FRAME/WDL                  | WDL    |      |       | WDL  |       |       |
|     | 623945 | DOOR ASSY-UPPER/PANEL/BLACK FRAME/SDL                  |        | SDL  | SDL   |      | SDL   | SDL   |
|     | 624813 | DOOR ASSY-UPPER/PANEL/BROWN FRAME/SDL                  | SDL    |      |       | SDL  |       |       |
| 5   | 618160 | CAP-HINGE PLUG/BLACK                                   |        | ALL  | ALL   |      | ALL   | ALL   |
|     | 622989 | CAP-HINGE PLUG/BROWN                                   | ALL    |      |       | ALL  |       |       |
| 6   | 621469 | DOOR HANDLE ASSY-UPPER DOOR/RH SWING/PLASTIC/BLACK     |        | ALL  | ALL   |      | ALL   | ALL   |
|     | 622916 | DOOR HANDLE ASSY-UPPER DOOR/RH SWING/PLASTIC/BROWN     | ALL    |      |       | ALL  |       |       |
| 7   | 622313 | LATCH-STORAGE/DOOR/PLASTIC HANDLE/WARM GRAY            | ALL    | ALL  | ALL   | ALL  | ALL   | ALL   |
| 8   | 618510 | HINGE-DOOR SIDE/TOP LH/BTM RH/BLACK/WDL                |        | WDL  |       |      | WDL   |       |
|     | 622923 | HINGE-DOOR SIDE/TOP LH/BTM RH/BROWN/WDL                | WDL    |      |       | WDL  |       |       |
| 9   | 618618 | RAIL-UPPER DOOR/WDL (1 PER DOOR)                       | WDL    | WDL  |       | WDL  | WDL   |       |
| 10  | 624863 | BIN-DOOR SHELF/WHITE/SDL (1 PER DOOR)                  | SDL    | SDL  | SDL   | SDL  | SDL   | SDL   |
| NS  | 619569 | BOLT-CAP SHOULDER/TORX HEAD                            | ALL    | ALL  | ALL   | ALL  | ALL   | ALL   |

NS = NOT SHOWN \* NOTE: N811 SERIES INCLUDES N814F2 AND N615 MODELS

# LOWER DOOR (FRESH FOOD) - N61/N81 SERIES



Art01079C

| NO. | PART # | PART DESCRIPTION                                       | SERIES |       |       |      |        |       |
|-----|--------|--|--------|-------|-------|------|--------|-------|
|     |        |  | N610   | N611* | N611v | N810 | N811** | N811v |
| 1   | 619559 | PANEL RETAINER-LOWER DOOR/6'/BLACK/WDL                 |        | WDL   |       |      | WDL    |       |
|     | 622907 | PANEL RETAINER-LOWER DOOR/6'/BROWN/WDL                 | WDL    |       |       | WDL  |        |       |
|     | 623948 | PANEL RETAINER-LOWER DOOR/6'/BLACK/SDL                 |        | SDL   | SDL   |      | SDL    | SDL   |
|     | 624799 | PANEL RETAINER-LOWER DOOR/6'/BROWN/SDL                 | SDL    |       |       | SDL  |        |       |
|     | 619560 | PANEL RETAINER-LOWER DOOR/8'/BLACK/WDL                 |        | WDL   |       |      | WDL    |       |
|     | 622908 | PANEL RETAINER-LOWER DOOR/8'/BROWN/WDL                 | WDL    |       |       | WDL  |        |       |
|     | 623760 | PANEL RETAINER-LOWER DOOR/8'/BLACK/SDL                 |        | SDL   | SDL   |      | SDL    | SDL   |
|     | 624798 | PANEL RETAINER-LOWER DOOR/8'/BROWN/SDL                 | SDL    |       |       | SDL  |        |       |
| 2   | 618511 | HINGE-DOOR SIDE/TOP RH/BTM LH/BLACK/WDL                |        | WDL   |       |      | WDL    |       |
|     | 622924 | HINGE-DOOR SIDE/TOP RH/BTM LH/BROWN/WDL                | WDL    |       |       | WDL  |        |       |
| 3   | 619671 | HINGE BUSHING-DOOR/WARM GRAY/WDL                       | WDL    | WDL   |       | WDL  | WDL    |       |
| 4   | 619629 | DOOR ASSY-LOWER/6'/PANEL/BLACK FRAME/WDL               |        | WDL   |       |      | WDL    |       |
|     | 622898 | DOOR ASSY-LOWER/6'/PANEL/BROWN FRAME/WDL               | WDL    |       |       | WDL  |        |       |
|     | 623955 | DOOR ASSY-LOWER/6'/PANEL/BLACK FRAME/SDL               |        | SDL   | SDL   |      | SDL    | SDL   |
|     | 624812 | DOOR ASSY-LOWER/6'/PANEL/BROWN FRAME/SDL               | SDL    |       |       | SDL  |        |       |
|     | 619631 | DOOR ASSY-LOWER/8'/PANEL/BLACK FRAME/WDL               |        | WDL   |       |      | WDL    |       |
|     | 624208 | DOOR ASSY-LOWER/8'/PANEL/BROWN FRAME/WDL               | WDL    |       |       | WDL  |        |       |
|     | 623942 | DOOR ASSY-LOWER/8'/PANEL/BLACK FRAME/SDL               |        | SDL   | SDL   |      | SDL    | SDL   |
|     | 624814 | DOOR ASSY-LOWER/8'/PANEL/BROWN FRAME/SDL               | SDL    |       |       | SDL  |        |       |
| 5   | 621465 | DOOR HANDLE ASSY-LOWER DOOR/RH SWING/PLASTIC/BLACK     |        | ALL   | ALL   |      | ALL    | ALL   |
|     | 622915 | DOOR HANDLE ASSY-LOWER DOOR/RH SWING/PLASTIC/BROWN     | ALL    |       |       | ALL  |        |       |
| 6   | 622313 | LATCH-STORAGE/GRAY                                     | ALL    | ALL   | ALL   | ALL  | ALL    | ALL   |
| 7   | 618578 | RAIL-LOWER DOOR/WDL                                    | WDL    | WDL   |       | WDL  | WDL    |       |
|     | 632458 | WIRE-BIN/SDL (USE 624866)                              | SDL    | SDL   | SDL   | SDL  | SDL    | SDL   |
|     | 632458 | WIRE-BIN   | SDL    | SDL   | SDL   | SDL  | SDL    | SDL   |
| 8   | 618510 | HINGE-DOOR SIDE/TOP LH/BTM RH/BLACK/WDL                |        | WDL   |       |      | WDL    |       |
|     | 622923 | HINGE-DOOR SIDE/TOP LH/BTM RH/BROWN/WDL                | WDL    |       |       | WDL  |        |       |
| 9   | 618619 | BIN-DOOR SHELF/SMALL/WHITE/WDL (2 FOR N611/3 FOR N811) | WDL    | WDL   |       | WDL  | WDL    |       |
|     | 624863 | BIN-DOOR SHELF/WHITE/SDL (3 FOR N611/4 FOR N811)       | SDL    | SDL   | SDL   | SDL  | SDL    | SDL   |
| NS  | 619569 | BOLT-CAP SHOULDER/TORX HEAD                            | ALL    | ALL   | ALL   | ALL  | ALL    | ALL   |

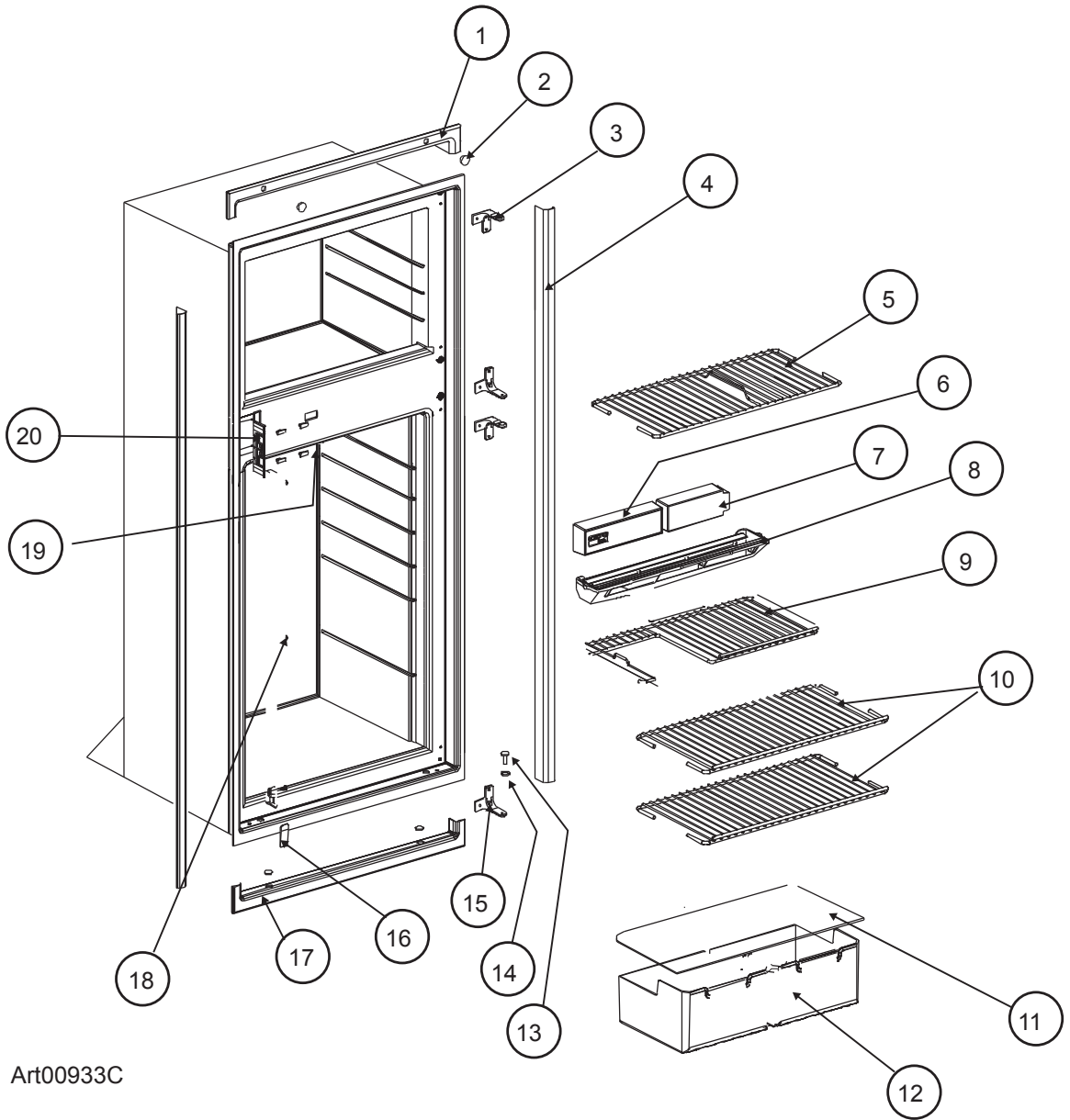
PART IS NO LONGER AVAILABLE

NS = NOT SHOWN

\* NOTE: N611 SERIES INCLUDES N611 MODELS

\*\* NOTE: N811 SERIES INCLUDES N814F2 AND N811 MODELS

# CABINET AREA (FRONT VIEW) - N61/N81 SERIES



# CABINET AREA (FRONT VIEW) - N61/N81 SERIES

| NO. | PART # | PART DESCRIPTION   | SERIES |       |       |      |        |       |
|-----|--------|--|--------|-------|-------|------|--------|-------|
|     |        |  | N610   | N611* | N611v | N810 | N811** | N811v |
| 1   | 622319 | TRIM PIECE ASSY-TOP/WITH INSERTS/BLACK (USE 622325)              |        | X     | X     |      | X      | X     |
|     | 622931 | TRIM PIECE ASSY-TOP/WITH INSERTS/BROWN (USE 622926)              | X      |       |       | X    | X      |       |
| 2   | 618170 | HOLE PLUG-FOR TOP TRIM PIECE/BLACK (2 PER CABINET)               |        | X     | X     |      | X      | X     |
|     | 622930 | HOLE PLUG-FOR TOP TRIM PIECE/BROWN (2 PER CABINET)               | X      |       |       | X    | X      |       |
| 3   | 619335 | HINGE-CABINET/3 POINT/TOP RH/BTM LH/BLACK/WDL (USE 624758)       |        | WDL   |       |      | WDL    |       |
|     | 624785 | HINGE-CABINET/ 10-32 UR/LL /BLACK(2 PER CABINET)                 |        | X     |       |      | X      |       |
|     | 622885 | HINGE-CABINET/3 POINT/TOP RH/BTM LH/BROWN/WDL (2 PER CABINET)    | WDL    |       |       | WDL  |        |       |
|     | 623771 | HINGE-CABINET/3 POINT/TOP RH/BTM LH/PANEL/BLACK/SDL              |        | SDL   | SDL   |      | SDL    | SDL   |
|     | 624787 | HINGE-CABINET/3 POINT/TOP RH/BTM LH/BROWN/SDL                    | SDL    |       |       | SDL  |        |       |
| 4   | 622295 | TRIM PIECE FOAM TAPE ASSY-SIDE/6'/BLACK (2 PER CABINET)          |        | X     | X     |      |        |       |
|     | 623516 | TRIM PIECE FOAM TAPE ASSY-SIDE/6'/BROWN (2 PER CABINET)          | X      |       |       | X    |        |       |
|     | 622296 | TRIM PIECE FOAM TAPE ASSY-SIDE/8'/BLACK (2 PER CABINET)          |        |       |       |      | X      | X     |
|     | TBA    | TRIM PIECE FOAM TAPE ASSY-SIDE/8'/BROWN (2 PER CABINET)          | X      |       |       | X    |        |       |
| 5   | 620250 | SHELF-WIRE/FREEZER (USE 632446)                                  | X      | X     | X     | X    | X      | X     |
|     | 632446 | SHELF-WIRE/FREEZER   | X      | X     |       | X    | X      |       |
| 6   | 621988 | CONTROL ASSY-OPTICAL/BLACK (SERIAL # 9056491 & BELOW)            |        | X     |       |      | X      |       |
|     | 624207 | CNTRL ASSY-OPTICAL/BRN (S/N 9056491 & BELOW) (USE 621988)        | X      |       |       | X    |        |       |
|     | 628979 | CONTROL ASSY-OPTICAL/BLACK (SERIAL # 9056492 & ABOVE)            |        | X     |       |      | X      |       |
|     | 636105 | CONTROL ASSY-OPTICAL/BLACK(SN 17781054 & ABOVE, AFTER JULY 2011) |        |       | X     |      |        | X     |
|     | 629079 | CONTROL ASSY-OPTICAL/BROWN (SERIAL # 9056492 & ABOVE)            | X      |       |       | X    |        |       |
| 7   | 622002 | FRONT BOX-BLACK  |        | X     | X     |      | X      | X     |
|     | 623428 | FRONT BOX-BROWN  | X      |       |       | X    |        |       |
| 8   | 623250 | DRIP TRAY-INSIDE (ONE PIECE DRIP TRAY & LOUVER)                  | X      | X     | X     | X    | X      | X     |
| 9   | 620272 | SHELF-WIRE/CUT OUT (USE 632450)                                  | X      | X     | X     | X    | X      | X     |
|     | 632450 | SHELF-WIRE/CUT OUT   | X      | X     | X     | X    | X      | X     |
| 10  | 620273 | SHELF-WIRE/FULL (USE 632451)                                     | 2      | 2     | 1     | 3    | 3      | 2     |

## CABINET AREA (FRONT VIEW) - N61/N81 SERIES

|    |          |   |      |       |       |      |       |       |
|----|----------|---|------|-------|-------|------|-------|-------|
| NS | 632446   | SHELF-WIRE FULL   |      |       | X     |      |       | X     |
| 11 | 618158   | CRISPER COVER-GLASS SHELF                                     | X    | X     | X     | X    | X     | X     |
| 12 | 618571   | CRISPER-WHITE/FULL  | X    | X     | X     | X    | X     | X     |
| 13 | 618145   | HINGE PIN-UPPER HINGE/BLACK                                   |      | WDL   |       |      | WDL   |       |
|    | 622925   | HINGE PIN-UPPER HINGE/BROWN                                   | WDL  |       |       | WDL  |       |       |
|    | 623899   | HINGE PIN-UPPER/BLACK/SDL (USE 638780)                        |      | SDL   | SDL   |      | SDL   | SDL   |
|    | 638780   | KIT SERVICE UPPER HINGE PIN REPLACEMENT                       |      | SDL   | SDL   |      | SDL   | SDL   |
|    | 61114600 | HINGE PIN-TOP/WDL (USE 638630)                                | WDL  |       |       | WDL  |       |       |
|    | 638630   | KIT SERVICE UPPER HINGE PIN REPLACEMENT                       | WDL  |       |       | WDL  |       |       |
|    | 61550722 | HINGE PIN-BOTTOM/SDL  | SDL  | SDL   | SDL   | SDL  | SDL   | SDL   |
| 14 | 619671   | HINGE BUSHING-DOOR/WARM GRAY (4 PER REFRIGERATOR)             | WDL  | WDL   |       | WDL  | WDL   |       |
| 15 | 619336   | HINGE-CABINET/3 POINT/TOP LH/BTM RH/BLACK/WDL (2 PER CABINET) |      | WDL   |       |      | WDL   |       |
|    | 622886   | HINGE-CABINET/3 POINT/TOP LH/BTM RH/BROWN/WDL (2 PER CABINET) | WDL  |       |       | WDL  |       |       |
|    | 623772   | HINGE-CABINET/3 POINT/TOP LH/BTM RH/BLACK/SDL                 |      | X     | X     |      | X     | X     |
|    | 624789   | HINGE-CABINET/3 POINT/TOP LH/BTM RH/PANEL/BLK/SDL             | X    |       |       | X    |       |       |
| 16 | 619301   | COVER-HINGE HOLE/WHITE/3 POINT (2 PER CABINET)                | X    | X     | X     | X    | X     | X     |
| 17 | 622323   | TRIM PIECE FOAM TAPE ASSY-BOTTOM/BLACK                        |      | X     | X     |      | X     | X     |
|    | 622927   | TRIM PIECE FOAM TAPE ASSY-BOTTOM/BROWN (USE 622926)           | X    |       |       | X    |       |       |
| 18 | 61536522 | CLAMP-NYLON 1/2" (SHELF CLIP) (2 FOR THE N61)( 3 FOR THE N81) | X    | X     | X     | X    | X     | X     |
| 19 | 620282   | HOLE PLUG-DIVIDER/WHITE (2 PER CABINET)                       | X    | X     | X     | X    | X     | X     |
| 20 | 618167   | STRIKE PLATE-BLACK  |      | X     | X     |      | X     | X     |
|    | 619673   | STRIKE PLATE-WARM GRAY  | X    |       |       | X    |       |       |
| NS | 622325   | KIT-INSTALLATION/BLACK (TRIM PIECES/SCREWS/PLUGS)             | N611 | N611F | N611v | N811 | N811F | N811v |
| NS | 622926   | KIT-INSTALLATION/BROWN (TRIM PIECES/SCREWS/PLUGS)             | N610 | N610F |       | N810 | N810F |       |

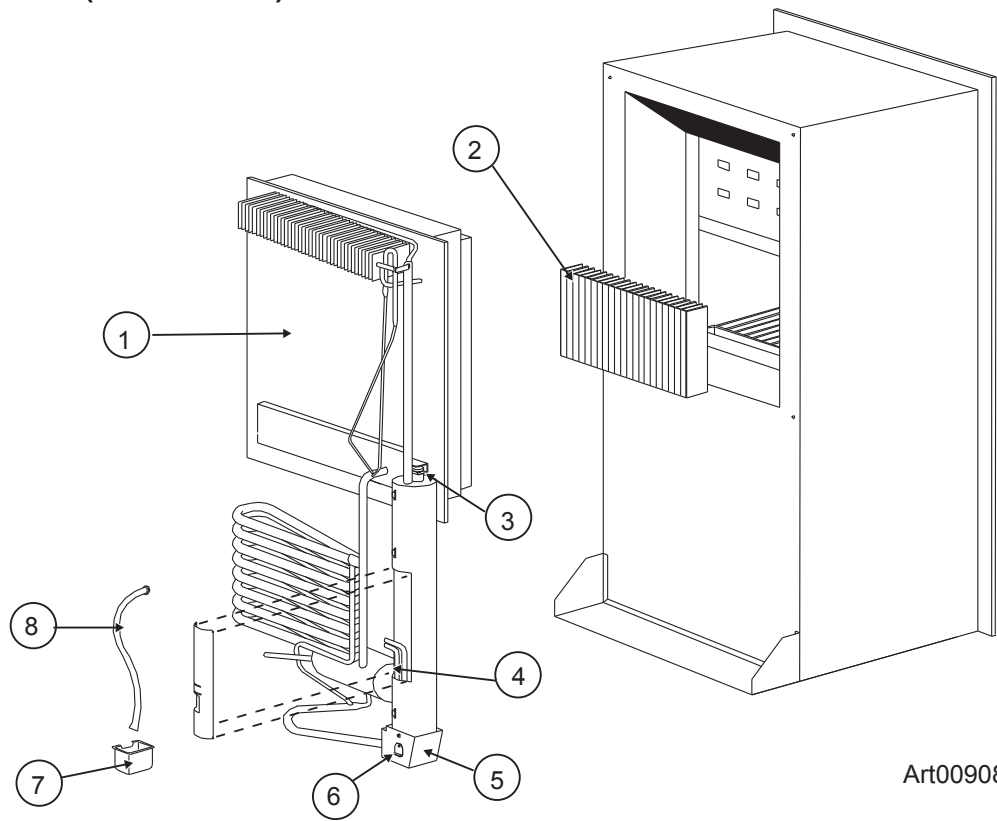
PART IS NO LONGER AVAILABLE

NS = NOT SHOWN

\* NOTE: N611 SERIES INCLUDES N611 MODELS

\*\* NOTE: N811 SERIES INCLUDES N814F2 AND N811 MODELS

# CABINET AREA (REAR VIEW) - N61/N81 SERIES



| NO. | PART #   | PART DESCRIPTION   | SERIES |       |       |      |        |       |
|-----|----------|--|--------|-------|-------|------|--------|-------|
|     |          |  | N610   | N611* | N611v | N810 | N811** | N811v |
| 1   | 632307   | NSC SYSTEM PACK-COOLING UNIT (BACKER HEATER)             | X      | X     | X     |      |        |       |
|     | 632314   | NSC SYSTEM PACK-COOLING UNIT (BACKER HEATER)             |        |       |       | X    | X      | X     |
| NS  | 2M0802   | THERMAL SWITCH/BACKET ASSY (SEE NOTE)                    | X      | X     | X     | X    | X      | X     |
| NS  | 618111   | BAFFLE DIFFUSER/WIRE ASSY-COOLING UNIT (NOT SHOWN)       | X      | X     | X     | X    | X      | X     |
| 2   | 61686823 | FINS   | X      | X     | X     | X    | X      | X     |
| 3   | 61695022 | CAP-HEAT DEFLECTOR                                       | X      | X     | X     | X    | X      | X     |
| 4   | 621702   | HEATER-AC (COOLING UNIT SERIAL# 11231023 & BELOW)        | X      | X     |       |      |        |       |
|     |          | HEATER-AC (COOLING UNIT SERIAL# 11232007 & BELOW)        |        |       |       | X    | X      |       |
|     | 630811   | HEATER-AC/BACKER (COOLING UNIT SERIAL# 11231024 & ABOVE) | X      | X     | X     |      |        |       |
|     |          | HEATER-AC/BACKER (COOLING UNIT SERIAL# 11232008 & ABOVE) |        |       |       | X    | X      | X     |
| 5   | 61695322 | BASE-BURNER BOX  | X      | X     | X     | X    | X      | X     |
| 6   | 61712637 | COVER ASSY-BURNER BOX                                    | X      | X     | X     | X    | X      | X     |
| 7   | 622546   | DRIP CUP-REAR/PLASTIC                                    | X      | X     | X     | X    | X      | X     |
| 8   | 622390   | DRAIN HOSE ASSY-N6 SERIES                                | X      | X     | X     |      |        |       |
|     | 622391   | DRAIN HOSE ASSY-N8 SERIES                                |        |       |       | X    | X      | X     |

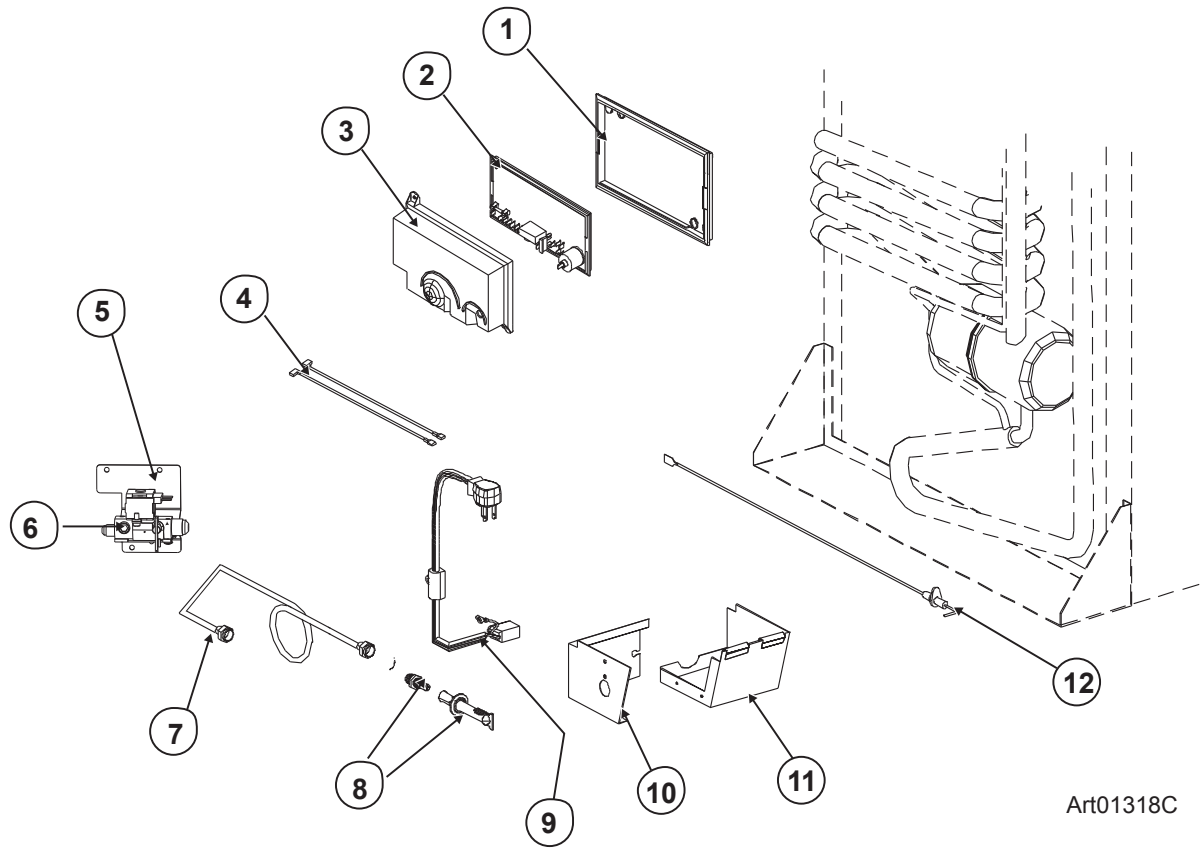
NOTE: FOR COOLING UNITS WITH A THERMAL SWITCH.

NS = NOT SHOWN

\* NOTE: N611 SERIES INCLUDES N611 MODELS

\*\* NOTE: N811 SERIES INCLUDES N814F2 AND N811 MODELS

# CONTROLS (REAR VIEW) - N61/N81 SERIES



Art01318C

| NO. | PART #    | PART DESCRIPTION                              | SERIES |       |       |      |        |       |
|-----|-----------|---|--------|-------|-------|------|--------|-------|
|     |           |   | N610   | N611* | N611v | N810 | N811** | N811v |
| 1   | 618186    | BASE-POWER BOARD (SERIAL # 9056491 & BELOW)   | X      | X     |       | X    | X      |       |
|     | 628674    | BASE-POWER BOARD (SERIAL # 9056492 & ABOVE)   | X      | X     | X     | X    | X      | X     |
| 2   | 621991001 | KIT-POWER BOARD (SERIAL # 9056491 & BELOW)    | X      | X     |       | X    | X      |       |
|     | 628661    | POWER BOARD (SERIAL # 9056492 & ABOVE)        | X      | X     | X     | X    | X      | X     |
| 3   | 618185    | COVER-POWER SUPPLY (SERIAL # 9056491 & BELOW) | X      | X     |       | X    | X      |       |
|     | 628677    | COVER-POWER BOARD (SERIAL # 9056492 & ABOVE)  | X      | X     | X     | X    | X      | X     |
| 4   | 621448    | WIRE-WHITE/9\"/>                              |        |       |       |      |        |       |

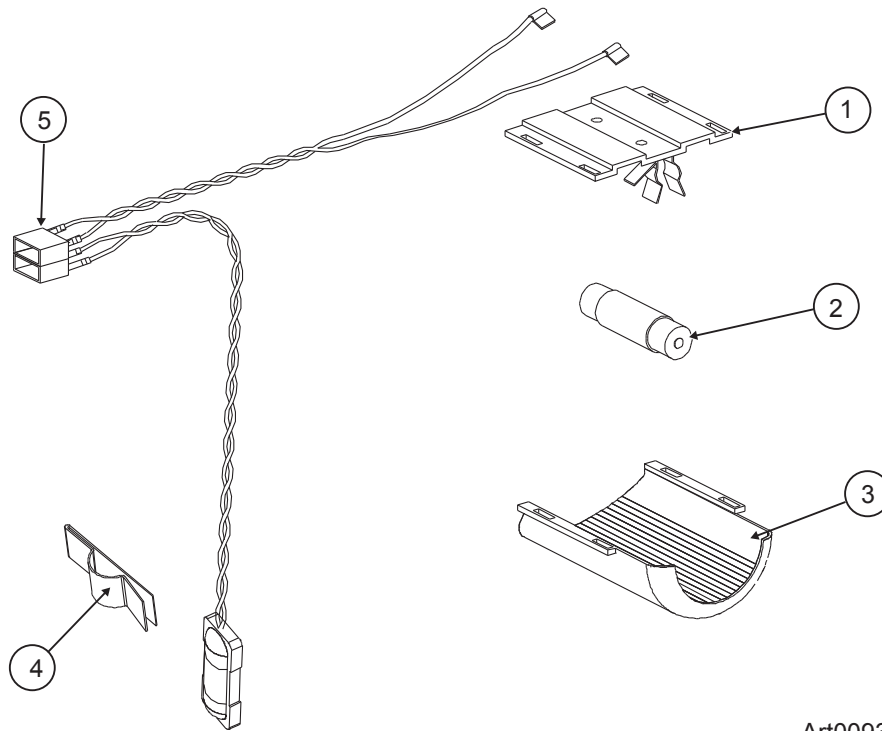
NS = NOT SHOWN

\* NOTE: N611 SERIES INCLUDES N611 MODELS

\*\* NOTE: N811 SERIES INCLUDES N814F2 AND N811 MODELS



# INTERIOR LIGHT AND THERMISTER ASSY - N61/N81 SERIES



Art00930C

| NO. | PART #   | PART DESCRIPTION             | SERIES |       |       |      |        |       |
|-----|----------|------------------------------|--------|-------|-------|------|--------|-------|
|     |          |                              | N610   | N611* | N611v | N810 | N811** | N811v |
| 1   | 61629722 | LAMP BRACKET ASSY            | X      | X     | X     | X    | X      | X     |
| 2   | 632545   | LAMP-DC LIGHT BULB           | X      | X     | X     | X    | X      | X     |
| 3   | 621827   | COVER-LAMP BRACKET           | X      | X     | X     | X    | X      | X     |
| 4   | 633734   | CLIP-THERMISTER MOUNTING/FIN | X      | X     | X     | X    | X      | X     |
| 5   | 618548   | LAMP THERMISTER WIRE ASSY    | X      | X     | X     | X    | X      | X     |

NS = NOT SHOWN

\* NOTE: N611 SERIES INCLUDES N611 MODELS

\*\* NOTE: N811 SERIES INCLUDES N814F2 AND N811 MODELS

## FAN ASSEMBLY PARTS - N61/N81 SERIES

NOTE: LOWER FAN POSITION - MODELS WITH SERIAL # BELOW 9056492

| PART #   | DESCRIPTION                       | N611F*<br>N811F** | N811J |
|----------|-----------------------------------|-------------------|-------|
| 618857   | BRACKET-DC FAN                    | 1                 | 1     |
| 619016   | BRACKET-FAN SUPPORT               | 1                 | 1     |
| 61417922 | CABLE TIE-NYLON                   | 3                 | 3     |
| 618856   | FAN-EXTERNAL DC                   | 1                 |       |
| 623442   | FAN-EXTERNAL DC/HIGH VELOCITY     |                   | 1     |
| 618093   | THERMOSTAT-DC FAN/THERMO DISC     | 1                 | 1     |
| 618950   | WIRE MOUNT-ADHESIVE               | 2                 | 2     |
| 621943   | WIRE-60" (FAN MODELS)             | 1                 | 1     |
| 621431   | WIRE-AUXILLARY/BLACK/POSITIVE (+) | 1                 | 1     |
| 621430   | WIRE-AUXILLARY/RED/NEGATIVE (-)   | 1                 | 1     |
| 618700   | WIRE-BLACK/24"/18 GA              | 1                 | 1     |
| 618701   | WIRE-RED/36"/18 GA                | 1                 | 1     |

NOTE: LOWER FAN POSITION - MODELS WITH SERIAL # 9056492 TO 10086691

| PART #   | DESCRIPTION                             | N611F*<br>N811F** | N811J | N814F2 |
|----------|---|-------------------|-------|--------|
| 618857   | BRACKET-DC FAN                          | 1                 | 1     | 2      |
| 619016   | BRACKET-FAN SUPPORT                     | 1                 | 1     | 2      |
| 61417922 | CABLE TIE-NYLON                         | 3                 | 3     | 3      |
| 618856   | FAN-EXTERNAL DC                         | 1                 |       | 2      |
| 623442   | FAN-EXTERNAL DC/HIGH VELOCITY           |                   | 1     |        |
| 618093   | THERMOSTAT-DC FAN/THERMO DISC           | 1                 | 1     | 1      |
| 618950   | WIRE MOUNT-ADHESIVE                     | 2                 | 2     | 2      |
| 621943   | WIRE-60" (FAN MODELS)                   | 1                 | 1     | 1      |
| 628758   | WIRE-AUXILLARY/OUTPUT/BLACK             | 1                 | 1     | 1      |
| 628759   | WIRE-AUXILLARY/OUTPUT/RED               | 1                 | 1     | 1      |
| 628999   | WIRE-NEGATIVE/AUXILLARY TO Y CONNECTION | 1                 | 1     | 1      |
| 618701   | WIRE-RED/36"/18 GA                      | 1                 | 1     | 1      |
| 618978   | WIRE-FAN/RED/6"/18 GA/12V               |                   |       | 1      |
| 619017   | WIRE-BLACK/6"/18 GA                     |                   |       | 1      |

NOTE: UPPER FAN POSITION - MODELS WITH SERIAL # ABOVE 10086691

| PART #   | DESCRIPTION   | N611F*<br>N811F** | N811J | N814F2 | N611VF/<br>N811VF |
|----------|---|-------------------|-------|--------|-------------------|
| 628747   | BRACKET-DC FAN  | 1                 | 1     | 2      | 1                 |
| 61417922 | CABLE TIE-NYLON                                       | 4                 | 4     | 4      | 4                 |
| 628685   | FAN-EXTERNAL DC                                       | 1                 |       | 2      | 2                 |
| 623442   | FAN-EXTERNAL DC/HIGH VELOCITY                         |                   | 1     |        |                   |
| 618093   | THERMOSTAT-DC FAN/THERMO DISC                         | 1                 | 1     | 1      | 1                 |
| 618950   | WIRE MOUNT-ADHESIVE                                   | 3                 | 3     | 3      | 3                 |
| 621943   | WIRE-60" (FAN MODELS)                                 | 1                 | 1     | 1      | 1                 |
| 628758   | WIRE-AUXILLARY/OUTPUT/BLACK                           | 1                 | 1     | 1      | 1                 |
| 628759   | WIRE-AUXILLARY/OUTPUT/RED                             | 1                 | 1     | 1      | 1                 |
| 629883   | WIRE ASSY   | 1                 | 1     | 1      | 1                 |
| 629882   | WIRE ASSY   | 1                 | 1     | 1      | 1                 |
| 628690   | WIRE-FAN/BLACK  |                   |       | 1      | 1                 |
| 629025   | WIRE-INPUT/NEGATIVE /NEGATIVE AUXILLARY TO THERMOSTAT |                   |       | 1      | 1                 |
| 618978   | WIRE-FAN/RED/6"/18 GA/12V                             |                   |       | 1      | 1                 |
| 636441   | FAN= EXTERNAL DC                                      |                   |       |        | 1                 |

\* NOTE: N611 SERIES INCLUDES N611 MODELS