



# PARTS LIST

## N62/N82 SERIES

### N62 SERIES

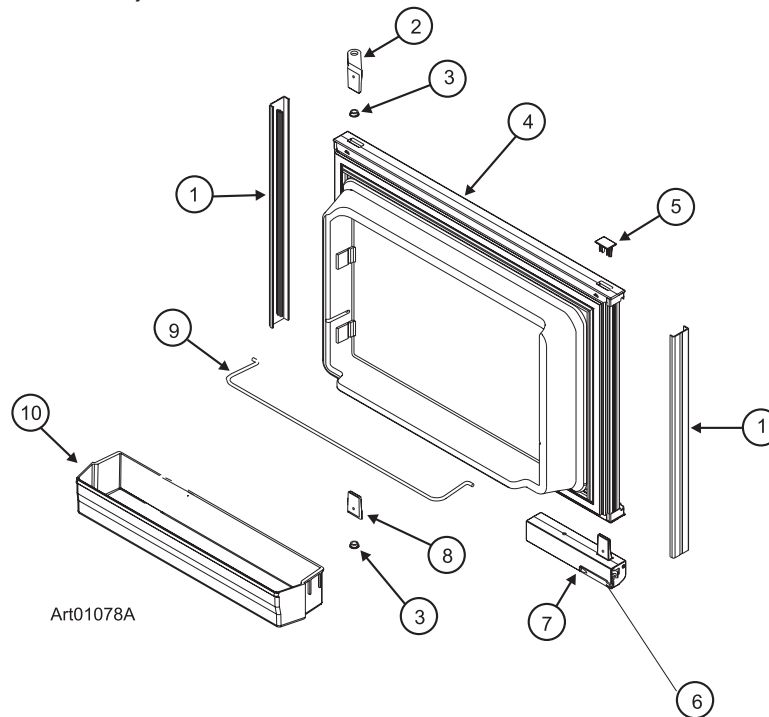
N621  
N621C  
N621F  
N621CF  
N621SS  
N623  
N624

### N82 SERIES

N821  
N821C  
N821BK  
N821BKF  
N821F  
N821CF  
N821SS  
N821V  
N822  
N822F  
N823  
N824

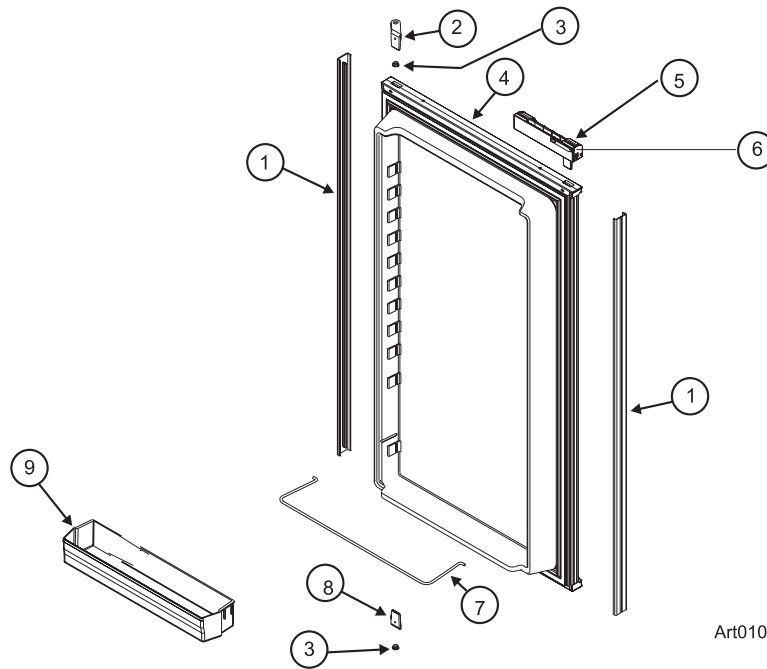
PART NO. 623422  
NORCOLD 11/02/2016

# UPPER DOOR (FREEZER) - N62/N82 SERIES



NO.	PART #	DESCRIPTION	N621 N621C N621F N621CF N623 N624			N821 N821C N821F N821CF N823 N824			N822 N822F	
1	623943	PANEL RETAINER-UPPER DOOR/PANEL/BLACK/SDL	X			X			X	
	619558	PANEL RETAINER-UPPER DOOR/BLACK/WDL	X			X			X	
2	618511	HINGE-DOOR SIDE/TOP RH/BTM LH/BLACK/WDL ONLY	X			X			X	
3	619671	HINGE BUSHING-DOOR/WARM GRAY/WDL/SDL	X			X			X	
4	623945	DOOR ASSY-UPPER/PANEL/BLACK FRAME/SDL	X			X			X	
	619627	DOOR ASSY-UPPER/PANEL/BLACK FRAME/WDL	X			X			X	
	632732	DOOR ASSY-UPPER/WRAP/AT BLACK/SDL (SERIAL # 12965198 & BELOW)						BK		
	634065	DOOR ASSY-UPPER/WRAP/ANCO BLACK/SDL (SERIAL # 12965199 & ABOVE)						BK		
	632731	DOOR ASSY-UPPER/WRAP/AT-SS/SDL (SERIAL # 12965541 & BELOW) (USE 634062)	SS							
	634062	DOOR ASSY-UPPER/WRAP/ANCO-SS/SDL (SERIAL # 12965542 & ABOVE)	SS			SS				
5	618160	CAP-HINGE PLUG/BLACK	X			X			X	
6	619866	DOOR HANDLE ASSY-UPPER DOOR/RH SWING (SERIAL # 965168 & BELOW)	X			X				
	621469	DOOR HANDLE ASSY-UPPER DOOR/RH SWING/PLASTIC (SERIAL # 965169 & ABOVE)	X			X			X	
	621105	DOOR HANDLE ASSY-UPPER DOOR/RH SWING (USE 621465)								X
	621465	DOOR HANDLE ASSY UPPER	X			X			X	
7	622313	STORAGE LATCH-DOOR/WARM GRAY/PLASTIC HANDLE	X			X				
	619648	STORAGE LATCH-DOOR/WARM GRAY/METAL HANDLE	X			X			X	
8	618510	HINGE-DOOR SIDE/TOP LH/BTM RH/BLACK/WDL ONLY	X			X			X	
9	618618	RAIL-UPPER DOOR/WDL ONLY	X			X			X	
10	624863	BIN-DOOR SHELF/WHITE/SDL	X			X			X	
	618619	BIN-DOOR SHELF/WHITE/WDL	X			X			X	
		PART IS NO LONGER AVAILABLE								

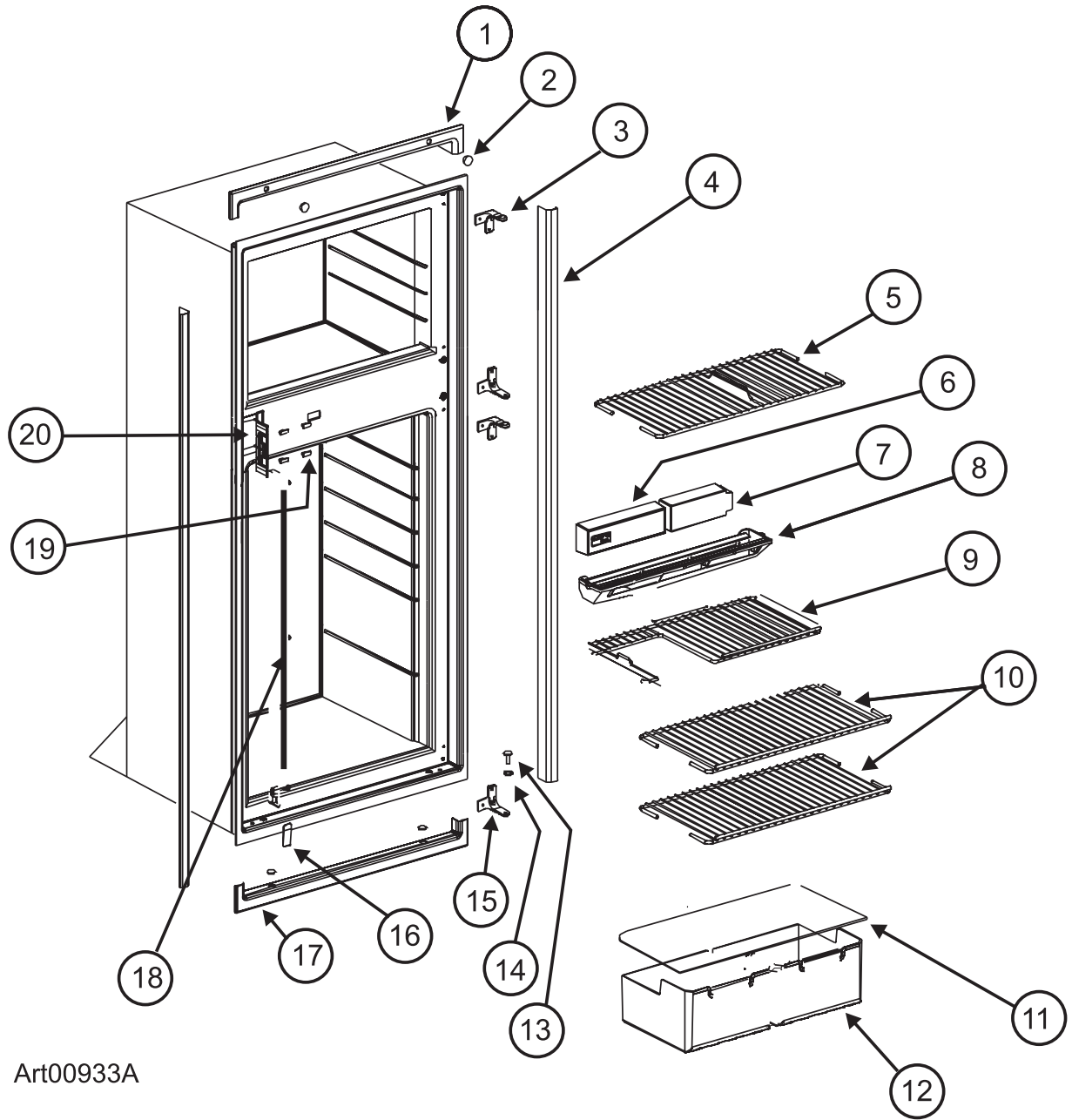
# LOWER DOOR (FRESH FOOD) - N62/N82 SERIES



Art01079A

NO.	PART #	DESCRIPTION	N621 N621C N621F N621CF N623 N624	N821 N821C N821F N821CF N823 N824	N822 N822F
1	623948	PANEL RETAINER-LOWER DOOR/6'/BLACK/SDL	X		
	623760	PANEL RETAINER-LOWER DOOR/8'/BLACK/SDL		X	X
	619559	PANEL RETAINER-LOWER DOOR/6'/BLACK/WDL	X		
	619560	PANEL RETAINER-LOWER DOOR/8'/BLACK/WDL		X	X
2	618511	HINGE-DOOR SIDE/TOP RH/BTM LH/BLACK/WDL ONLY	X	X	X
3	619671	HINGE BUSHING-DOOR/WARM GRAY	X	X	X
4	623955	DOOR ASSY-LOWER/6'/PANEL/BLACK FRAME/SDL	X		
	623942	DOOR ASSY-LOWER/8'/PANEL/BLACK FRAME/SDL		X	X
	619629	DOOR ASSY-LOWER/6'/PANEL/BLACK FRAME/WDL	X		
	619631	DOOR ASSY-LOWER/8'/PANEL/BLACK FRAME/WDL		X	X
	632738	DOOR ASSY-LOWER/8'/WRAP/AT BLACK/SDL (S/N 12965198 & BELOW) (USE 634067)		BK	
	634067	DOOR ASSY-LOWER/8'/WRAP/ANCO BLACK/SDL (SERIAL # 12965199 & ABOVE)		BK	
	632733	DOOR ASSY-LOWER/6'/WRAP/AT-SS/SDL (SERIAL # 12965541 & BELOW) (USE 634063)	SS		
	634063	DOOR ASSY-LOWER/6'/WRAP/ANCO-SS/SDL (SERIAL # 12965542 & ABOVE)	SS		
5	619865	DOOR HANDLE ASSY-LOWER DOOR/RH SWING (SERIAL # 965168 & BELOW)	X	X	
	621465	DOOR HANDLE ASSY-UPPER DOOR/LH SWING/PLASTIC (SERIAL # 965169 & ABOVE)	X	X	X
	621104	DOOR HANDLE ASSY-LOWER DOOR/RH SWING (USE 621469)			X
	621469	DOOR HANDLE ASSY LOWER	X	X	X
6	622313	STORAGE LATCH-DOOR/WARM GRAY/PLASTIC DOOR HANDLE	X	X	
	619648	STORAGE LATCH-DOOR/WARM GRAY/METAL DOOR HANDLE	X	X	X
7	624866	WIRE-BIN/SDL	X	X	X
	618578	RAIL-LOWER DOOR/WDL	X	X	X
8	618510	HINGE-DOOR SIDE/TOP LH/BTM RH/BLACK/WDL ONLY	X	X	X

CABINET AREA (FRONT VIEW) - N62/N82 SERIES



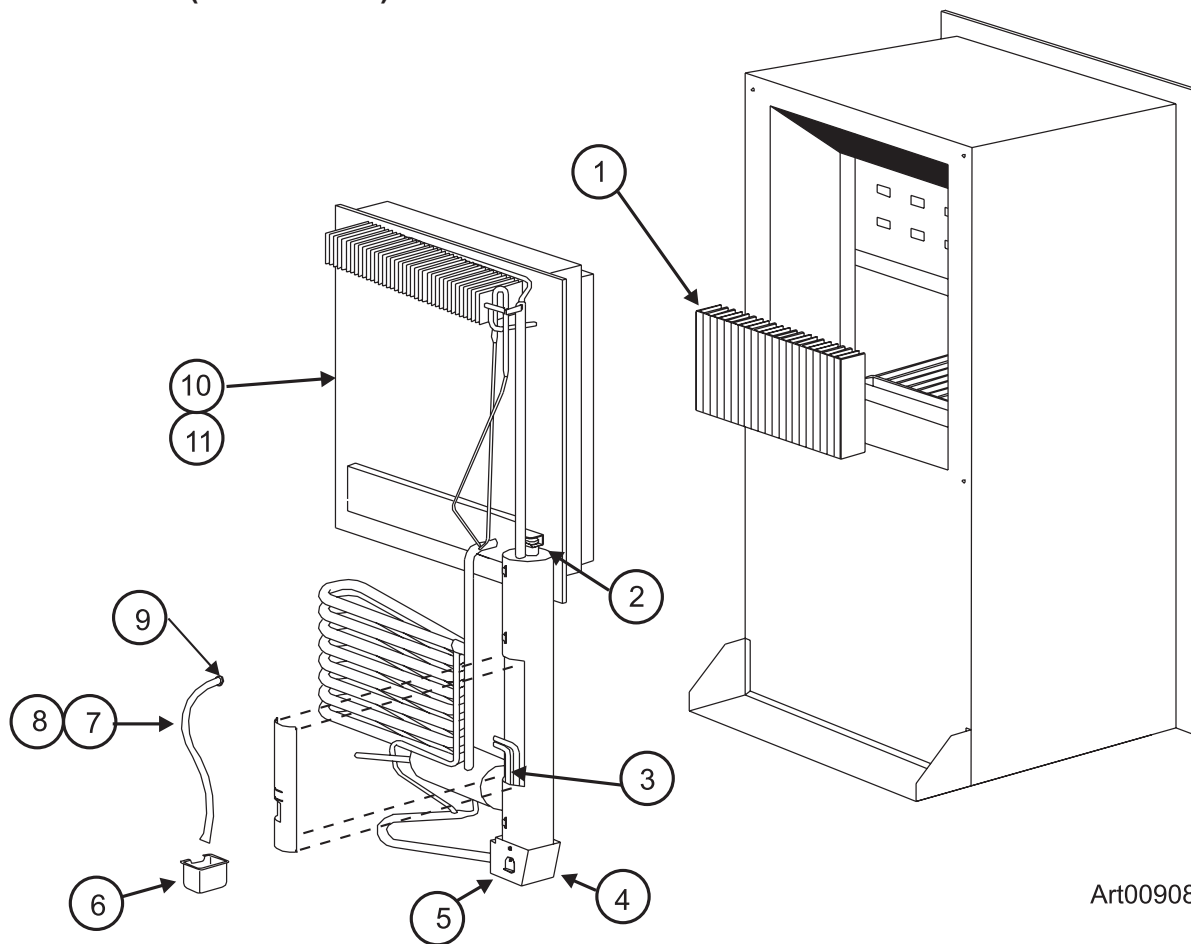
## CABINET AREA (FRONT VIEW) - N62/N82 SERIES

NO.	PART #	DESCRIPTION	N62 SERIES	N82 SERIES
1	622319	TRIM PIECE ASSY-TOP/WITH INSERTS/BLACK (USE 622325)	X	X
2	618170	HOLE PLUG-BLACK (2 PER CABINET)	X	X
3	623771	HINGE-CABINET/3 POINT/TOP RH/BTM LH/PANEL/BLACK/SDL	X	X
	619335	HINGE-CABINET/3 POINT/TOP RH/BTM LH/PANEL/BLACK/WDL (USE 624785)	X	X
	624785	HINGE-CABINET/3POINT 10-32 UL/LR BLACK	X	X
4	622295	TRIM PIECE FOAM TAPE ASSY-CABINET/SIDE/6' (2 PER CABINET)	X	
	622296	TRIM PIECE FOAM TAPE ASSY-CABINET/SIDE/8' (2 PER CABINET)		X
5	620250	SHELF-WIRE/FREEZER (S/N 17945280 AND BELOW)	X	X
	632446	SHELF-WIRE/FREEZER (S/N 17945281 AND ABOVE)	X	X
6	628974	CONTROL ASSY-OPTICAL/BLACK (SERIAL# : N621/N821/N822=9126825 & ABOVE - N623/ N823=8970881 & ABOVE)	X	X
	633292	KIT-CONTROLS ADAPTER (SERIAL#: N621/N821/N822=9126824 & BELOW - N623/ N823=8970880 & BELOW)	X	X
7	619282	FRONT BOX-BLACK	X	X
8	623250	DRIP TRAY-INSIDE	X	X
9	620272	SHELF-WIRE/CUT OUT (USE 632450)	X	X
	632450	SHELF-WIRE/CUT OUT	X	X
10	620273	SHELF-WIRE/FULL (USE 632451)	2	3
	632451	SHELF-WIRE/FULL	2	3
11	618158	CRISPER COVER-GLASS SHELF	X	X
12	618571	CRISPER-WHITE/FULL	X	X
13	618145	HINGE PIN-UPPER HINGE/BLACK/WDL/SDL	X	X
	623899	HINGE PIN-UPPER/LOWER/BLACK/WDL/SDL (USE 638780)	X	X
	638780	KIT SERVICE UPPER HINGE PIN REPLACEMENT	X	X
	61550722	HINGE PIN-BOTTOM/WDL/SDL	X	X
14	619671	HINGE BUSHING-DOOR/WARM GRAY (4 PER REFRIGERATOR)	X	X
15	623772	HINGE-CABINET/3 POINT/TOP LH/BTM RH/PANEL/BLACK/SDL	X	X
	619336	HINGE-CABINET/3 POINT/TOP LH/BTM RH/PANEL/BLACK/WDL	X	X
	624786	HINGE-CABINET/3 POINT/TOP LH/BTM RH/WRAP/BLACK/SDL		X
16	619301	COVER-HINGE HOLES/WHITE/3 POINT	X	X
17	622323	TRIM PIECE FOAM TAPE ASSY-CABINET/BOTTOM	X	X
18	618181	RETAINER-SHELF (SERIAL # 926963 AND BEFORE)	X	X
	622033	RETAINER-SHELF (SERIAL # 926964 AND AFTER)	X	X
19	619561	HOLE PLUG-DIVIDER/WHITE (PRODUCED 03/12/98 TO 07/20/98)	X	X
	620282	HOLE PLUG-DIVIDER/WHITE (PRODUCED 07/21/98 TO 02/14/99)	X	X
20	618167	STRIKE PLATE	X	X
	622325	KIT-INSTALLATION (TRIM PIECES/SCREWS/PLUGS)(NOT SHOWN)	X	X

NOTE: IF THE CONTROL ASSY-OPTICAL HAS BEEN REPLACED WITH A KIT-CONTROL ADAPTER, THE POWER BOARD MUST BE REPLACED WITH A NEW KIT-CONTROL ADAPTER.

 PART NO LONGER AVAILABLE

# CABINET AREA (REAR VIEW) - N62/N82 SERIES



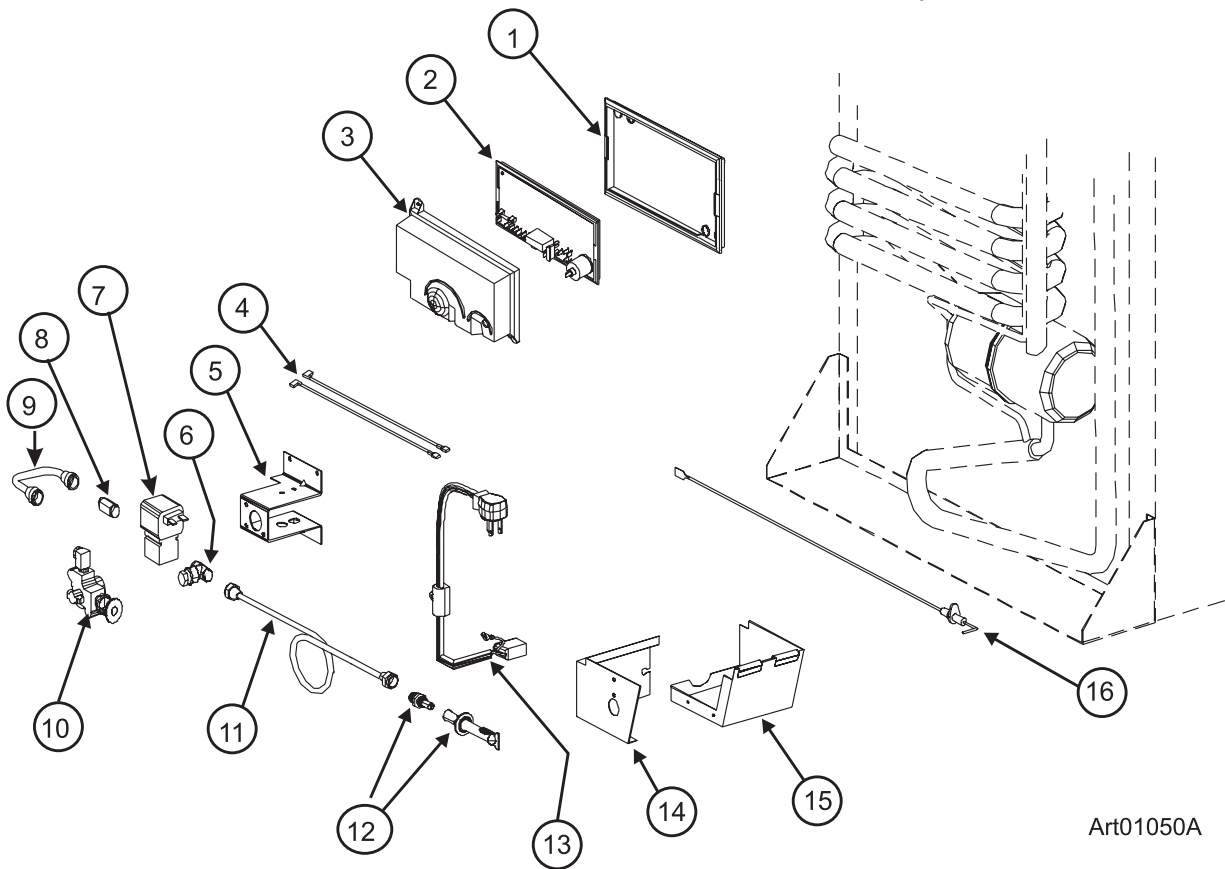
Art00908A

NO.	PART #	DESCRIPTION	N62 SERIES	N82 SERIES
1	61686823	FINS	X	X
2	61695022	CAP-HEAT DEFLECTOR	X	X
3	621702	HEATER-AC (COOLING UNIT SERIAL# 11231023 & BELOW)	X	
		HEATER-AC (COOLING UNIT SERIAL# 11232007 & BELOW)		X
	630811	HEATER-AC/BACKER (COOLING UNIT SERIAL# 11231024 & ABOVE)	X	
		HEATER-AC/BACKER (COOLING UNIT SERIAL# 11232008 & ABOVE)		X
4	61695322	BASE-BURNER BOX	X	X
5	61712637	COVER ASSY-BURNER BOX	X	X
6	622546	DRIP CUP-REAR	X	X
7	622390	DRAIN HOSE ASSY	X	
8	622391	DRAIN HOSE ASSY		X
9	61505122	HOSE CLAMP (NOT USED WITH DRAIN HOSE ASSY 622390/622391)	X	X
10	632307	NSC SYSTEM PACK-COOLING UNIT (BACKER HEATER)	X	
11	632314	NSC SYSTEM PACK-COOLING UNIT (BACKER HEATER)		X
NS	2M0802	THERMAL SWITCH/BACKET ASSY (SEE NOTE)	X	X
NS	618111	BAFFLE DIFFUSER/WIRE ASSY-COOLING UNIT (NOT SHOWN)	X	X
NS	61695022	CAP-HEAT DEFLECTOR (NOT SHOWN)	X	X

NOTE: FOR COOLING UNITS WITH A THERMAL SWITCH.

# CONTROLS (REAR VIEW) - MODELS N62/N82 SERIES

NOTE: FOR MODELS MADE WITH A SEPARATE MANUAL SHUT OFF VALVE (SERIAL # 656979 & BELOW).



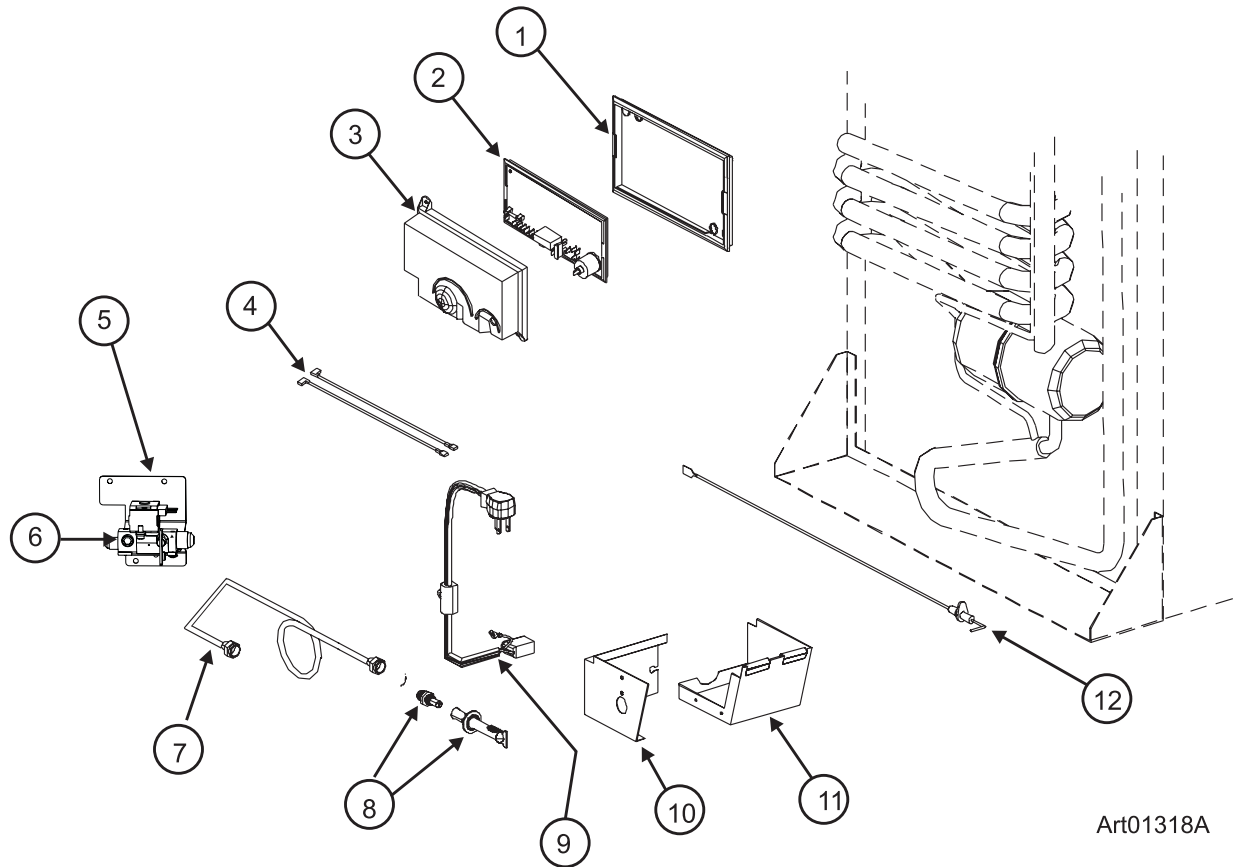
Art01050A

NO.	PART #	DESCRIPTION	N62 SERIES	N82 SERIES
1	618186	BASE-POWER BOARD	X	X
2	632168001	KIT-POWER BOARD	SEE NOTE	SEE NOTE
3	618185	COVER-POWER SUPPLY	X	X
4	621448	WIRE-WHITE/9"/GAS VALVE (2 PER ASSEMBLY)	X	X
5	61694022	BRACKET-MOUNTING/GAS VALVE	X	X
6	61594422	PRESSURE TAP	X	X
	61445322	PLUG-1/8"/FOR PRESSURE TAP	X	X
7	621334	KIT-GAS VALVE/BRACKET/WIRES	X	X
8	61546822	CONNECTOR-MALE	X	X
9	61694622	UNION TUBE	X	X
10	621444	MANUAL SHUT OFF VALVE ASSY	X	X
11	618252	BURNER TUBE	X	X
12	621957	KIT-BURNER/ORIFICE ADAPTER ASSY	X	X
13	61554422	CORD-AC POWER/BLACK	X	X
14	61712637	COVER ASSY-BURNER BOX	X	X
15	61695322	BASE-BURNER BOX	X	X

NOTE: IF THE CONTROL ASSY-OPTICAL HAS BEEN REPLACED WITH A KIT-CONTROL ADAPTOR, THE POWER BOARD MUST BE REPLACED WITH A NEW KIT-CONTROL ADAPTER.

# CONTROLS (REAR VIEW) - N62/N82 SERIES

NOTE: FOR MODELS PRODUCED WITHOUT A SEPARATE MANUAL SHUT OFF VALVE (SERIAL # 656980 & ABOVE)



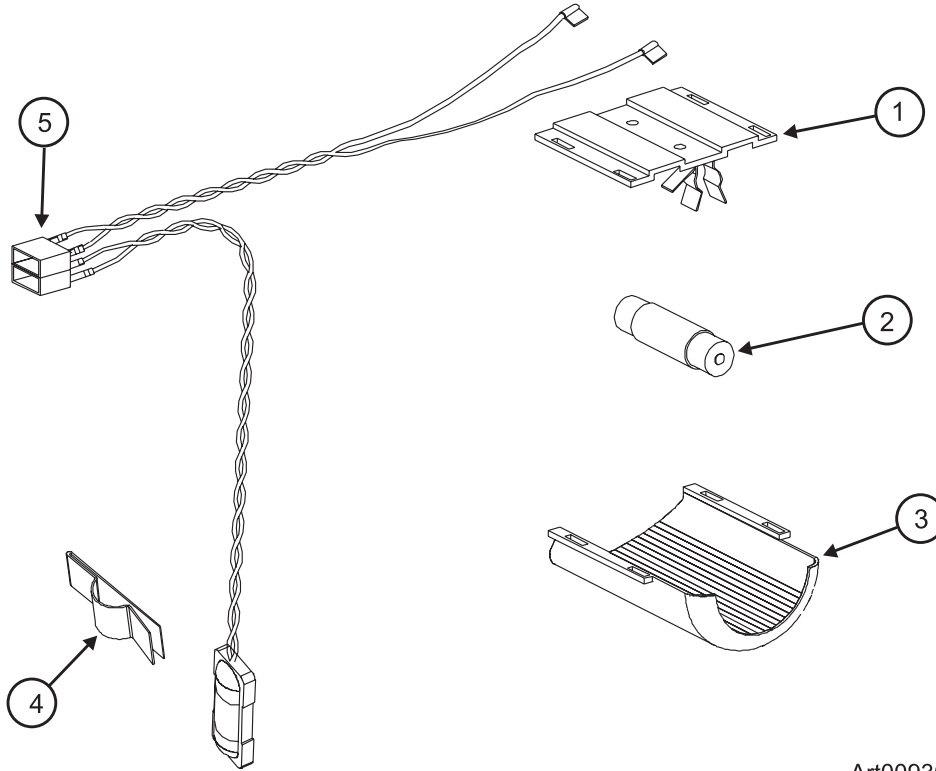
Art01318A

NO.	PART #	DESCRIPTION	N62 SERIES	N82 SERIES
1	628674	BASE-POWER BOARD (SERIAL RANGE: N621/N821/N822=9126825 & ABOVE, N623/N823=8970881 & ABOVE)	X	X
	618186	BASE-POWER BOARD (SERIAL RANGE: N621/N821/N822=9126824 & BELOW, N623/N823=8970880 & BELOW)	X	X
	628661	POWER BOARD (SERIAL RANGE: N621/N821/N822=9126825 & ABOVE, N623/N823=8970881 & ABOVE)	X	X
2	632168001	KIT-POWER BOARD (SERIAL RANGE: N621/N821/N822=9126824 & BELOW, N623/N823=8970880 & BELOW)	SEE NOTE	SEE NOTE
	628677	COVER-POWER BOARD (SERIAL RANGE: N621/N821/N822=9126825 & ABOVE, N623/N823=8970881 & ABOVE)	X	X
3	618185	COVER-POWER BOARD (SERIAL RANGE: N621/N821/N822=9126824 & BELOW, N623/N823=8970880 & BELOW)	X	X
4	621448	WIRE-WHITE/9"/GAS VALVE (2 PER ASSEMBLY)	X	X
5	628993	BRACKET-MOUNTING/GAS VALVE	X	X
6	621334	KIT-GAS VALVE/BRACKET/WIRES (9185698 & BELOW)	X	X
	633726	GAS VALVE-SOLENOID (9185699 & ABOVE)	X	X
7	624682	BURNER TUBE-N8/N6	X	X
8	621957	KIT-BURNER/ORIFICE ADAPTER ASSY	X	X
9	61554422	CORD-AC POWER/BLACK	X	X
10	61712637	COVER ASSY-BURNER BOX	X	X
11	61695322	BASE-BURNER BOX	X	X
12	61692222	ELECTRODE-SPARK/SENSE/SINGLE ELECTRODE/0.25" (USE 638097)	X	X
	638097	KIT SERVICE SPARK SENSE ELECTRODE REPLACEMENT	X	X

NOTE: IF THE CONTROL ASSY-OPTICAL HAS BEEN REPLACED WITH A KIT-CONTROL ADAPTOR, THE POWER BOARD MUST BE REPLACED WITH A NEW KIT-CONTROL ADAPTER.



# INTERIOR LIGHT/THERMISTER ASSY - N62/N82 SERIES



Art00930A

NO.	PART #	DESCRIPTION	N62 SERIES	N82 SERIES
1	61629722	LAMP BRACKET ASSY	X	X
2	632545	LAMP-DC LIGHT BULB	X	X
3	621827	COVER-LAMP BRACKET	X	X
4	633734	CLIP-THERMISTER MOUNTING/FIN	X	X
5	618548	LAMP THERMISTER WIRE ASSY	X	X

## FAN MODEL COMPONENTS - MODELS N621F, N821F, N821V, N822F

NOTE: LOWER FAN POSITION - MODELS WITH SERIAL # BELOW 9056492

PART #	DESCRIPTION	N621F N821F N822F	N821V
618857	BRACKET-DC FAN	1	1
619016	BRACKET-FAN SUPPORT	1	1
61417922	CABLE TIE-NYLON	3	3
618856	FAN-EXTERNAL DC	1	
623442	FAN-EXTERNAL DC/HIGH VELOCITY		1
618093	THERMOSTAT-DC FAN/THERMO DISC	1	1
618950	WIRE MOUNT-ADHESIVE	2	2
621943	WIRE-60" (FAN MODELS)	1	1
621431	WIRE-AUXILLARY/BLACK/POSITIVE (+)	1	1
621430	WIRE-AUXILLARY/RED/NEGATIVE (-)	1	1
618700	WIRE-BLACK/24"/18 GA	1	1
618701	WIRE-RED/36"/18 GA	1	1

NOTE: LOWER FAN POSITION - MODELS WITH SERIAL # 9056492 TO 10089300

PART #	DESCRIPTION	N621F N821F N822F	N821V
618857	BRACKET-DC FAN	1	1
619016	BRACKET-FAN SUPPORT	1	1
61417922	CABLE TIE-NYLON	3	3
618856	FAN-EXTERNAL DC	1	
623442	FAN-EXTERNAL DC/HIGH VELOCITY		1
618093	THERMOSTAT-DC FAN/THERMO DISC	1	1
618950	WIRE MOUNT-ADHESIVE	2	1
621943	WIRE-60" (FAN MODELS)	1	1
628758	WIRE-AUXILLARY/OUTPUT/BLACK	1	1
628759	WIRE-AUXILLARY/OUTPUT/RED	1	1
628999	WIRE-NEGATIVE/AUXILLARY TO Y CONNECTION	1	1
618701	WIRE-RED/36"/18 GA	1	1

NOTE: UPPER FAN POSITION - MODELS WITH SERIAL # ABOVE 10089300

PART #	DESCRIPTION	N621F N821F N822F	N821V
628747	BRACKET-DC FAN	1	1
61417922	CABLE TIE-NYLON	3	3
628685	FAN-EXTERNAL DC	1	
623442	FAN-EXTERNAL DC/HIGH VELOCITY		1
618093	THERMOSTAT-DC FAN/THERMO DISC	1	1
618950	WIRE MOUNT-ADHESIVE	2	2
621943	WIRE-60" (FAN MODELS)	1	1
628758	WIRE-AUXILLARY/OUTPUT/BLACK	1	1
628759	WIRE-AUXILLARY/OUTPUT/RED	1	1
629883	WIRE ASSY	1	1
629882	WIRE ASSY	1	1