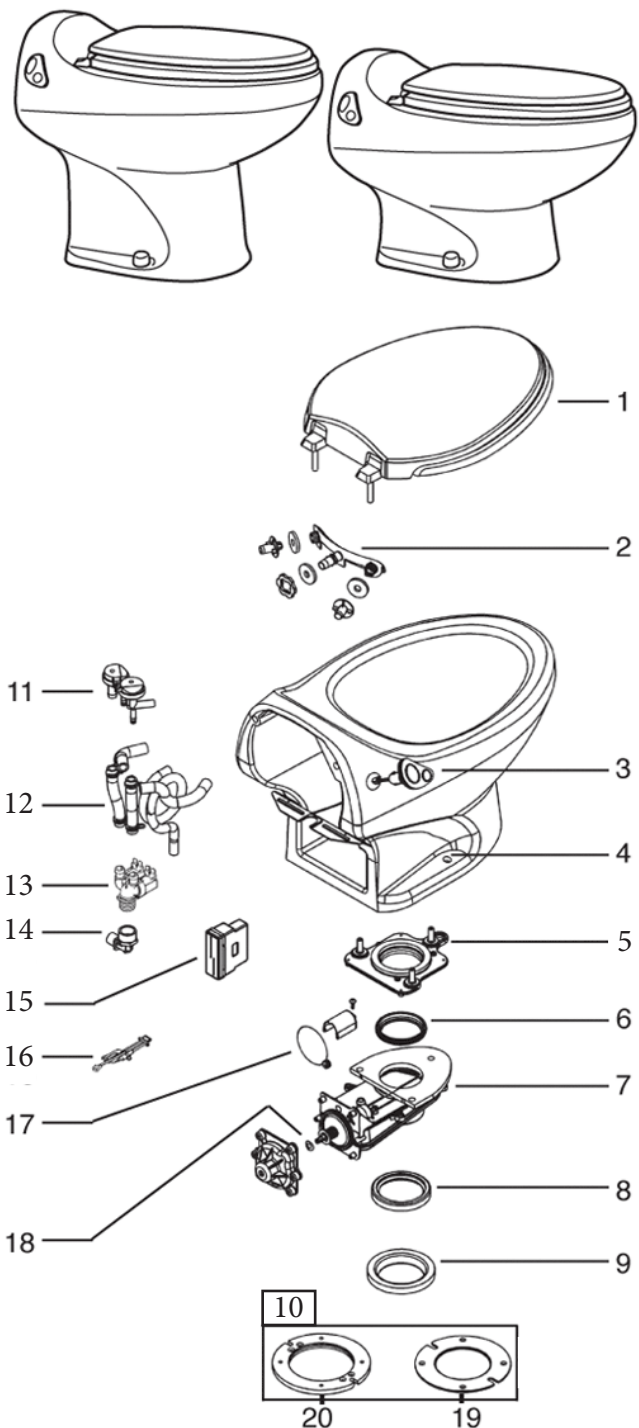


Aria® Deluxe I & II

Fresh Water Electric Flush Permanent Ceramic Toilet



NO.	PART NO.	DESCRIPTION
1	33385	SEAT AND COVER, BONE
	33384	SEAT AND COVER, WHITE
2	T-PF.P135	NOZZLE, BONE (REQUIRES CLEAR SILICONE SEALANT)
	36747*	SUPERSEDED BY T-PF.P135
	T-PF.P134	NOZZLE, WHITE (REQUIRES CLEAR SILICONE SEALANT)
	T-PF.P03/B*	SUPERSEDED BY T-PF.P134
3	36746	SUPERSEDED BY T-PF.P03/B
	28965	KEY PAD FLUSH SWITCH, BONE
4	28964	KEY PAD FLUSH SWITCH, WHITE
	28926	BOLT CAPS KIT, BONE
5	28927	BOLT CAPS KIT, WHITE
	19624	MECHANISM PLATE KIT, WHITE
6	19627	MECHANISM BLADE SEAL
7	19613	MECHANISM ASSEMBLY
8	19621	SEAL (ARIA I ONLY)
9	19618	MOUNTING BOLT KIT
10	19629	SPACER KIT (INCLUDES ONE 3/8 IN. SPACER AND TWO 1/8 IN. SPACERS)
11	19671	VACUUM BREAKER (ARIA I ONLY)
	28966	VACUUM BREAKER (ARIA II ONLY)
12	19625	TUBE (ARIA I ONLY)
13	19620	WATER SOLENOID VALVE (ARIA I ONLY)
	28967	WATER SOLENOID VALVE (ARIA II ONLY)
14	19617	WATER CONNECTION FITTING
15	28968*	CONTROLLER
16	19623*	WIRING HARNESS (ARIA I ONLY)
	28969	WIRING HARNESS (ARIA II ONLY)
17	19622	MOTOR
18	19628	MECHANISM WASHER
19	19696	1/8 IN. SPACER, BULK PACK OF 24
20	19697*	3/8 IN. SPACER, BULK PACK OF 24

NOT SHOWN	
PART NO.	DESCRIPTION
19630	FUSE REPLACEMENT
19619	OEM INSTALLATION KIT

Not available

* Limited Availability