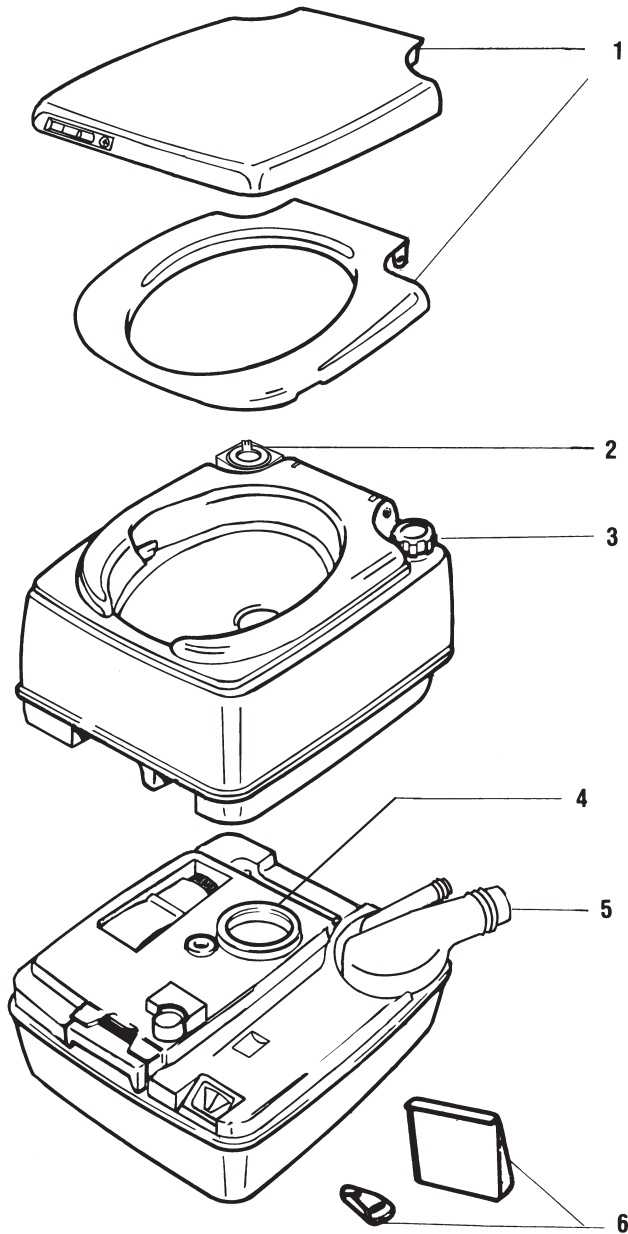


Porta Potti®

465/465 MSD (Pre-2006)

Portable, Two-Piece,
Fresh Water Flush Toilet



NO.	PART NO.	DESCRIPTION
1	0731779	SEAT AND COVER, WHITE
	07317	SUPERSEDED BY 0731779
2	25806	BUTTON HOUSING
	25807	PUMP HOUSING
3	35804*	NO-SPILL WATER FILL CAP
4	07101	LIP SEAL
5	N/A	PUMP-OUT SPOUT (PP 465 MSD)
6	92922111	HOLD DOWN KIT
	35801	SUPERSEDED BY 92922111

NOT SHOWN	
PART NO.	DESCRIPTION
25808	FLUSH TUBE
0749262	POUR-OUT SPOUT
07492	SUPERSEDED BY 0749262
0749362	POUR-OUT SPOUT CAP
07493	SUPERSEDED BY 0749362

Not available

* Limited Availability