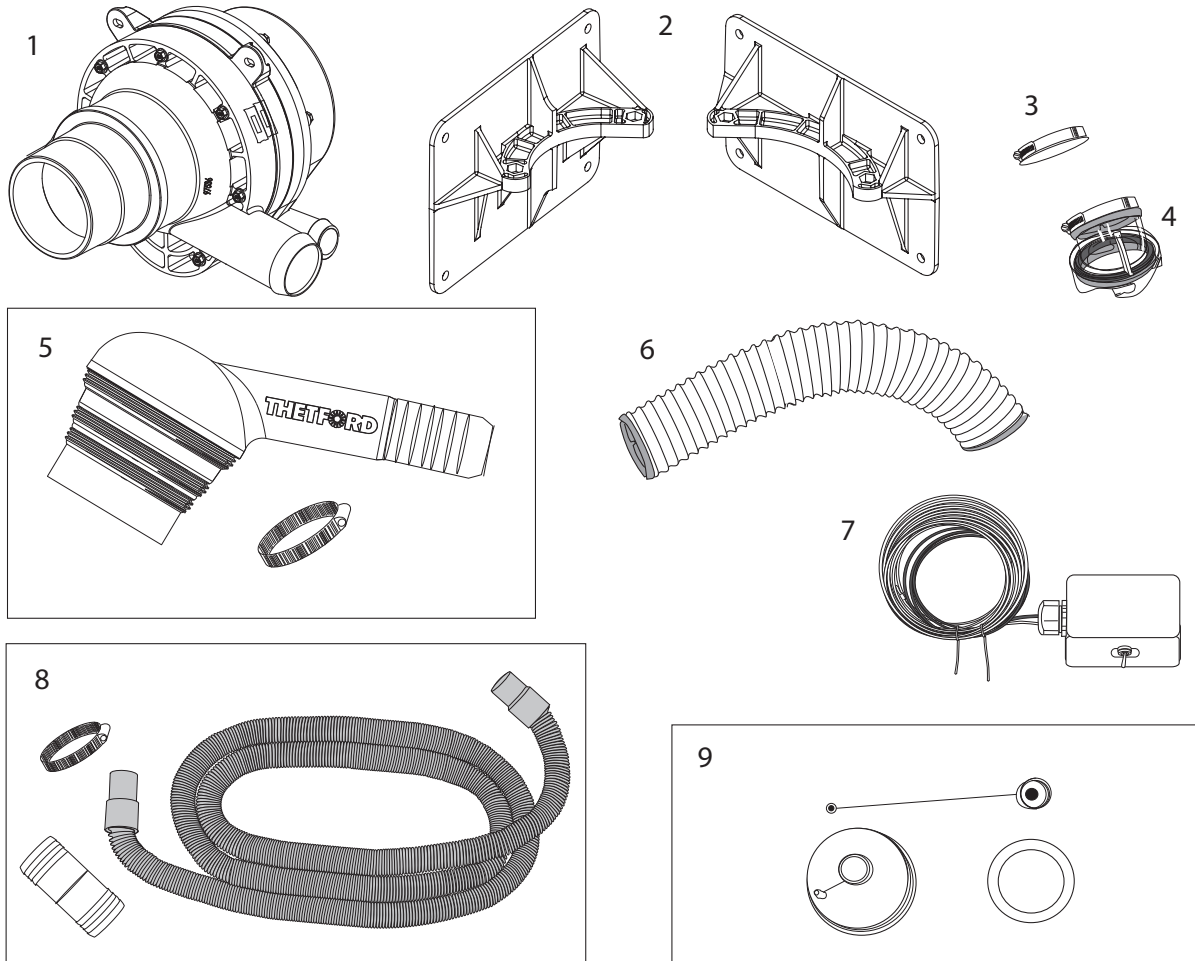


Sani-Con® Turbo

600/600-S

Permanent Storage Bay Mount



| NO. | PART NO. | DESCRIPTION |
|-----|----------|--|
| 1 | 97611 | REPLACEMENT PUMP |
| 2 | 97604 | MOUNTING BRACKET WITH HARDWARE |
| 3 | 70438 | 3 IN. WORM GEAR CLAMP |
| 4 | 70407 | CLEAR 45° ELBOW WITH O-RINGS |
| 5 | 97520 | NOZZLE WITH CLAMP |
| 6 | 70421 | 24 IN. INLET HOSE |
| 7 | 97603 | SWITCH BOX KIT |
| 8 | 97521 | 21 FT. HOSE, NOZZLE, CLAMP AND COUPLER |
| 9 | 97514 | CAP, DRIP CAP, AND NOZZLE GASKET |

Not available