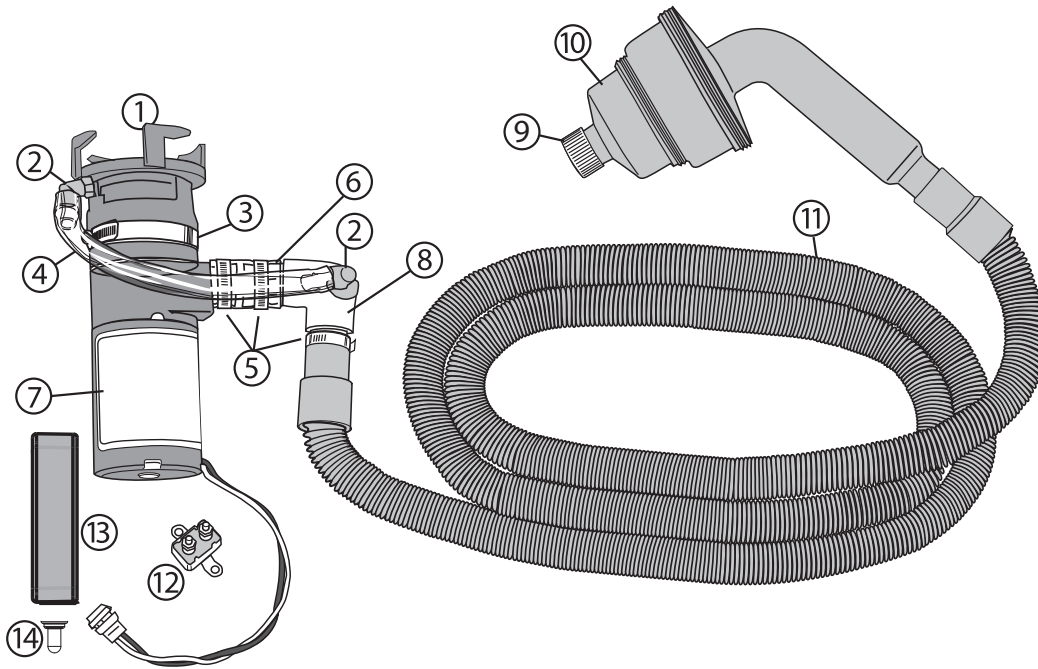


Sani-Con[®] 62-5800-6004 HB/HBCC



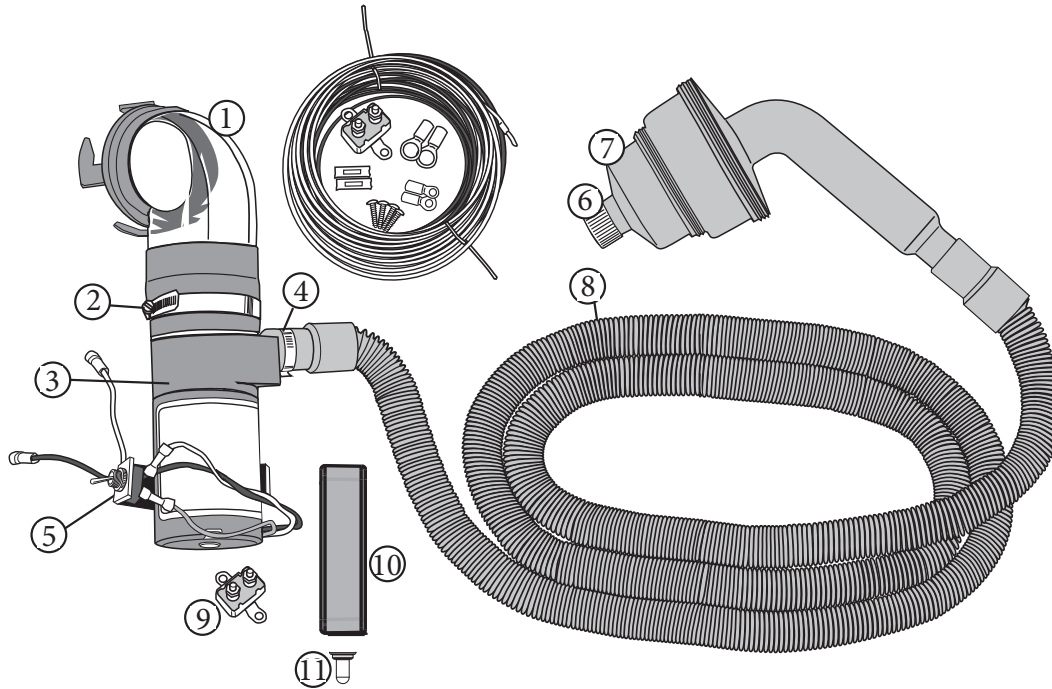
NO.	PART NO.	DESCRIPTION
1	70405*	NON-THREADED BAYONET WITH .5 IN. GRAY WATER BYPASS BARB (PRE-3/1/11)
	70535	THREADED BAYONET WITH .5 IN. GRAY WATER BYPASS BARB (POST-3/1/11)
2	70440	BARBED ELBOW
3	70438	3 IN. WORM GEAR CLAMP
4	70468	9 IN. GRAY WATER BYPASS HOSE, LONG
5	70439	1.5 IN. WORM CLAMP
6	70429	1 IN. x 3 IN. HOSE
7	N/A	MACERATOR PUMP WITH 3 IN. INLET
8	70466	90° ELBOW
9	70402	NOZZLE CAP
10	70400	NOZZLE ASSEMBLY WITH CAP
11	70424	1 IN. x 21 FT. RETRACTABLE DISCHARGE HOSE
12	70430	CIRCUIT BREAKER (POST-3/1/11)
13	70443	SWITCH BOX ASSEMBLY (POST-3/1/11)
14	70531	SWITCH BOOT (POST-3/1/11)

NOT SHOWN	
PART NO.	DESCRIPTION
70425	1 IN. x 10 FT. RETRACTABLE DISCHARGE HOSE
70426	1 IN. x 50 FT. FIXED DISCHARGE HOSE
70477	IMPELLER WITH GASKETS
70478	GASKET KIT (PRE-3/1/11)
70476	GASKET KIT (POST-3/1/11)

 Not available

* Limited Availability

Sani-Con[®] 62-5800-6004 HBFT/90

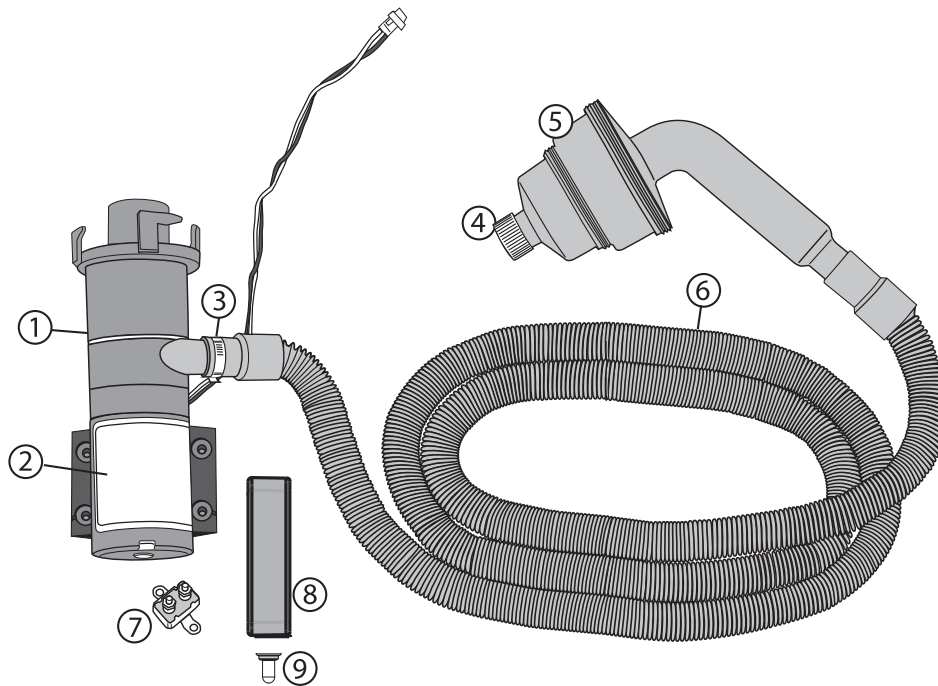


NO.	PART NO.	DESCRIPTION
1	N/A	90° BAYONET ADAPTER (PRE-3/1/11), CLEAR/BLUE
	70530	90° BAYONET ADAPTER (POST-3/1/11), CLEAR/BLUE
2	70438	3 IN. WORM GEAR CLAMP
3	N/A	MACERATOR PUMP WITH 3 IN. INLET
4	70439	1.5 IN. WORM CLAMP
5	70444	TOGGLE SWITCH
6	70402	NOZZLE CAP
7	70400	NOZZLE ASSEMBLY WITH CAP
8	70424	1 IN. x 21 FT. RETRACTABLE DISCHARGE HOSE
9	70430	CIRCUIT BREAKER (POST 3/1/11)
10	70443	SWITCH BOX ASSEMBLY (POST 3/1/11)
11	70531	SWITCH BOOT (POST 3/1/11)

NOT SHOWN	
PART NO.	DESCRIPTION
70425	1 IN. x 10 FT. RETRACTABLE DISCHARGE HOSE
70426	1 IN. x 50 FT. FIXED DISCHARGE HOSE
70475	IMPELLER WITH GASKETS
70478	GASKET KIT (PRE-3/1/11)
70476	GASKET KIT (POST-3/1/11)

 Not available

Sani-Con[®] 62-8103M/21



NO.	PART NO.	DESCRIPTION
1	70412	STRAIGHT BAYONET WITH 1.5 IN. FEMALE PIPE THREAD, NO BARB
2	N/A	MACERATOR PUMP WITH 1.5 IN. INLET
3	70439	1.5 IN. WORM CLAMP
4	70402	NOZZLE CAP
5	70400	NOZZLE ASSEMBLY WITH CAP
6	70425	1 IN. x 10 FT. RETRACTABLE DISCHARGE HOSE
7	70430	CIRCUIT BREAKER (POST 3/1/11)
8	70443	SWITCH BOX ASSEMBLY (POST 3/1/11)
9	70531	SWITCH BOOT (POST 3/1/11)

NOT SHOWN	
PART NO.	DESCRIPTION
70424	1 IN. x 21 FT. RETRACTABLE DISCHARGE HOSE
70426	1 IN. x 50 FT. FIXED DISCHARGE HOSE
70475	IMPELLER WITH GASKETS
70476	GASKET KIT
70408*	3 IN. BAYONETTE WITH O-RINGS, NO BARB

 Not available

* Limited Availability