

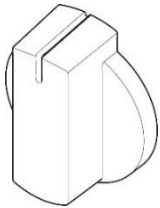
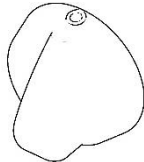
LE1326_SCK12XXX_1216-V01

		Spare part number	Spare part number	Colours available	
1	Glass lid (BK : smoke black clear)	SSPA0230			
	Glass lid (SBK : solid black)	SSPA0231			
2	Glass lid hinges 2x	SSPA0010			
3	Pan support	SSPA0963			
4	Pan support clips 4x	SSPA0041			
	Pan support clips 50x	SSPA0042			
5	Burner assy (medium)				
	Production date: < 17-10-2011 (< E290M.....)	SSPA0112			
	Production date: ≥ 18-10-2011 (≥ E291M.....)	SSPA0116			
6	Burner assy (small)				
	Production date: < 17-10-2011 (< E290M.....)	SSPA0102			
	Production date: ≥ 18-10-2011 (≥ E291M.....)	SSPA0811			
7	Burner assy (medium lower rated)				
	Production date: < 17-10-2011 (< E290M.....)	SSPA0114			
	Production date: ≥ 18-10-2011 (≥ E291M.....)	SSPA0812			
8	Spark electrode 4x				
	Production date: < 17-10-2011 (< E290M.....)	SSPA0310			
	Production date: ≥ 18-10-2011 (≥ E291M.....)	SSPA0320			
9	Thermocouples hob				
	Production date: < 17-10-2011 (< E290M.....)		For lid shut off		
	Front left	SSPA0675	SSPA0673		
	Front right	SSPA0675	SSPA0673		
	Rear Left	SSPA0676	SSPA0673		
	Rear Right	SSPA0676	SSPA0672 SSPA0673		
	Production date: ≥ 18-10-2011 (≥ E291M.....)		For lid shut off		
	Front left	SSPA0680	SSPA0686		
	Front right	SSPA0681	SSPA0685		
	Rear Left	SSPA0682	SSPA0689		
	Rear Right	SSPA0682	SSPA0684		
	10	Bump stops 2x	SSPA0040		
	11	Gas tap oven			
		Production date: < 17-10-2011 (< E290M.....)	SSPA0452		
Production date: ≥ 18-10-2011 (≥ E291M.....)		SSPA0450			
12	Gas tap grill				
	Production date: < 17-10-2011 (< E290M.....)	SSPA0472			
	Production date: ≥ 18-10-2011 (≥ E291M.....)	SSPA0470			
13	Gas tap burner 1x				
	Production date: < 17-10-2011 (< E290M.....)	SSPA0432			
	Production date: ≥ 18-10-2011 (≥ E291M.....)	SSPA0430			
14	Spark ignition button (=incl. switch)	SSPA0380			
15	Cut out thermal *1x NO and 1x NC	SSPA0510			
16	Control knobs	Refer to page 3			

		Spare part number	Spare part number	Colours available
17	Grill door (without handle/hinges)	Refer to page 4		
18	Oven door (without handle/hinges)	Refer to page 4		
19	Lower door *only for 3/4 height	Refer to page 5		
20	Glass, inner door	SSPA0253		
21	Oven door seal	SSPA0062		
22	Oven shelf x1	SSPA0980		
23	Grill pan	SSPA0991		
24	Spark generator	SSPA0301		
25	Oven burner			
	Production date: < 31-07-21 (E212Y...)	SSPA0191		
	Production date: ≥ 01-08-21 (E213Y...)	SSPA0198		
26	Thermocouple oven	SSPA0622 < 17-10-2011 (< E290M.....)	SSPA0623 ≥ 17-10-2011 (E290M.....)	
27	Electrode oven			
28	Grill Burner			
	Production date: < 05-05-2015 (E125S.....)	Not available		
	Production date: ≥ 06-05-2015 (E126S.....)	SSPA0185		
29	Thermocouple grill			
30	Electrode grill			
	Production date			
	14-07-2008 E195H.....) to 17-10-2011 (E290M.....)	SSPA0624		
	18-10-2011 (E291M.....) to 05-09-2012 (E129N.....)	SSPA0630		
	06-09-2012 (E130N.....) to 26-04-2015 (E116S.....)	SSPA0625		
	27-04-2015 (E117S.....) to present	SSPA0631		
31	Cooling fan kit	SSPA0521		
32	Grill shut off	SSPA0605		

~~xxxxx~~ = not available anymore

Control knobs

Control Knob sets		
Spare part number	SSPA0901	SSPA0904
Colours available	Gloss Nickel (.GNK)	Matt Nickel (.MNK)
Set quantity	6	6

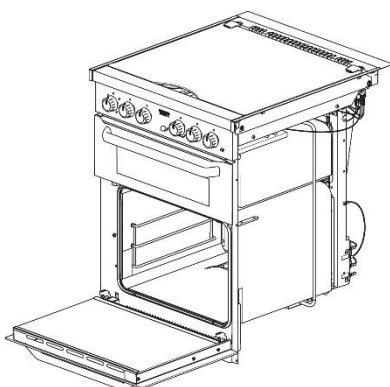
Handles are being supplied separately; hinges only where applicable

Grill Doors (without handle and hinges)

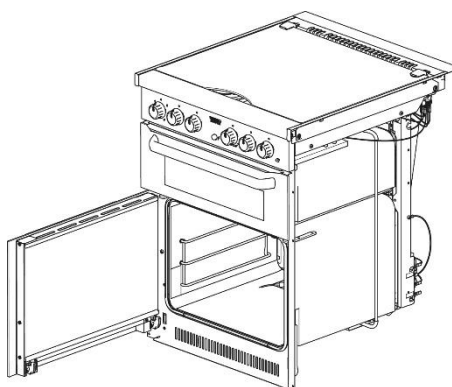
Spare part number	Glass	Print	Cladding	Cladding Position	Handle Style	Hinges
SMAO4120.BK95X	Clear	Black	Yes	Sides	N/A	SSPA0014

Oven door styles

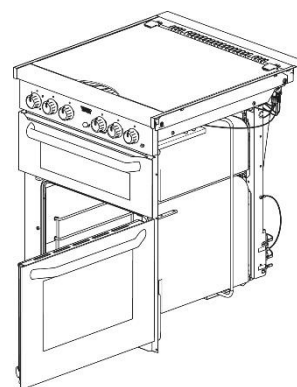
Drop down oven doors



Left hinged oven doors



Right hinged oven doors








Drop down oven doors (without handle and hinges)

Spare part number	Glass	Print	Cladding	Cladding Position	Handle Style	Hinges
SMAO4130.BK95X	Clear	Black	Yes	Sides	N/A	SSPA1791
SMAO4130.BK99X	Clear	Black	No	N/A	N/A	SSPA1791

Left and right hinged oven doors (without handle)

Spare part number	Glass	Print	Cladding	Cladding Position	Handle Style	Hinges
SMAO4135.BK99X	Clear	Black	No	N/A	N/A	Yes

Handles grill and oven doors

Spare part number	Centres (mm) handle fixings	Handle Style	Handle Colour
SSPA1053 HANDLE.T-BAR 12mm - SS	390 CRS		Stainless
SSPA1057 HANDLE ALPS 30- BRUSHED INOX	390 CRS		Brushed Nickel
SSPA1060 HANDLE V CUT BRIGHT NICKEL	390 CRS		Bright Nickel
SSPA1064 HANDLE HEADON BLACK	390 CRS		Black
SSPA1076 HANDLE. 'H' 495CRS SILVER	390 CRS		Silver

Lower doors

Spare part number	Glass	Print	Cladding	Cladding Position	Handle Style	Handle Colour
SMAO4160.BKX	Clear	Black	No	N/A	N/A	N/A
SMAO4160.BK1X	Clear	Black	Yes	Sides	N/A	N/A
SMAO4161.BKX	Clear	Black	No	N/A	N/A	N/A

~~xxxxx~~ = not available anymore