

THETFORD



Cassette Toilet C200 Series

Installation Manual

EN

Original Installation Manual

Contents

1	Introduction.....	2
2	Symbols.....	3
3	Regulations and standards.....	3
4	Serviceability.....	3
5	Before installation.....	3
6	Position and placement (C200-CS).....	4
7	Position and placement (C200-S).....	9
8	Connecting electricity.....	17
9	After installation.....	19
10	Technical specifications.....	19
11	Service & questions.....	20

1. Introduction

This is the installation manual for the Thetford C200-CS and C200-S toilet. The manual is meant for those installing the toilet in a mobile leisure vehicle e.g. campers and caravans. Read the information and instructions carefully and follow them strictly to install the toilet safely and correctly.

Also read the warnings in the user manual before testing the toilet after installation.

This document is version 23116/0322-V02 of the installation manual. Please visit www.thetford.com for the most recent version.

Our policy is one of continuous development and improvement. Specifications and illustrations may change subsequent to publication.



If the appliance is not installed in accordance with national and European regulations, rules and standards this will void the warranty.

2. Symbols

Key to symbols:



Warning. Risk of injury and/or damage.



Attention. Important information.



Note. Additional information.

3. Regulations and standards



Do not modify this appliance, unless the modification is authorised and carried out by the manufacturer or their agent.



Use only genuine and approved parts and materials.



Wear the correct Personal Protective Equipment during the installation. Also follow the applicable safety regulations.

4. Serviceability

The installer of Thetford products is responsible for proper installation to ensure the correct functionality and serviceability of the appliance. In terms of serviceability, this means that a dealer or an authorised Thetford service partner must be able to de-install and re-install the Thetford products within the time that is allowed according to the Thetford time-list, using standard tools and equipment.

This is to claim any warranty during the period of 3 years after purchase date. In case of any queries on this subject, please contact the Thetford local service representative before installing the product.

5. Before installation

Make sure that all these items are in the box:

- C200 CS/S toilet
- Screws
- Wall bracket
- Template
- User manual
- Installation manual



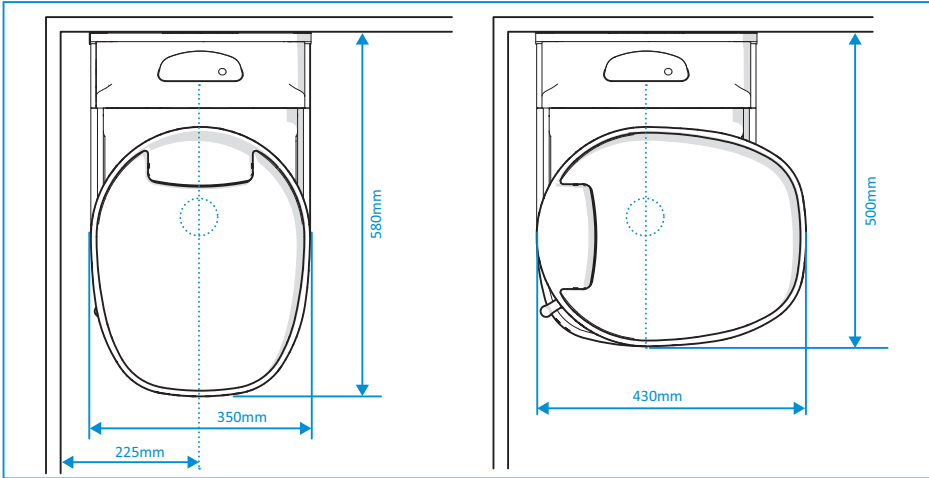
If something is missing from the box, please contact your dealer.

Make sure you have the required tools ready:

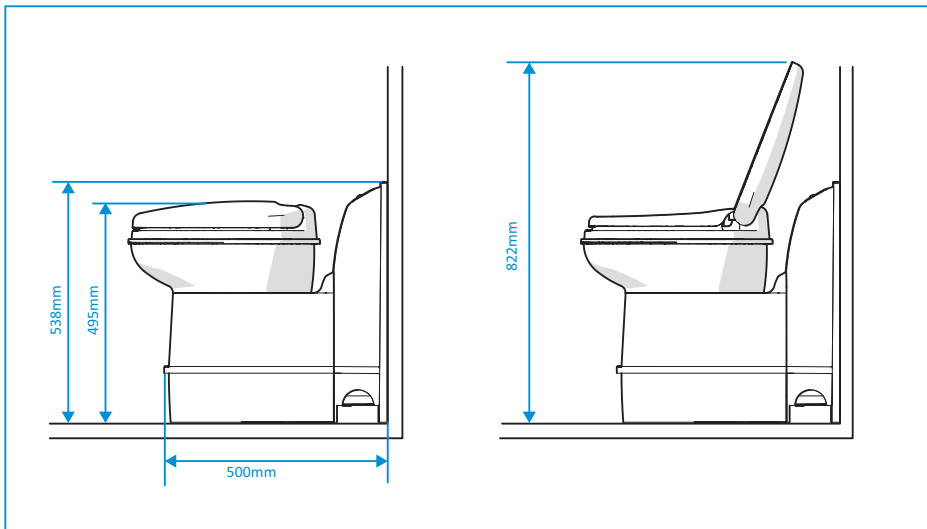
- Drill with 3 and 8 mm drill bits
- Electric saw
- Philips screwdriver no. 2
- Awl
- Marker or pencil
- Butyl sealant

6. Position and placement [C200-CS]

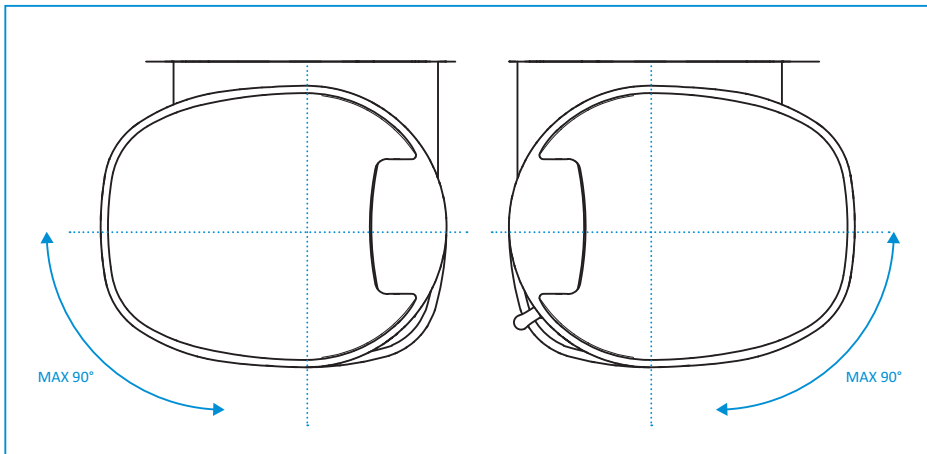
- The main bathroom dimensions:



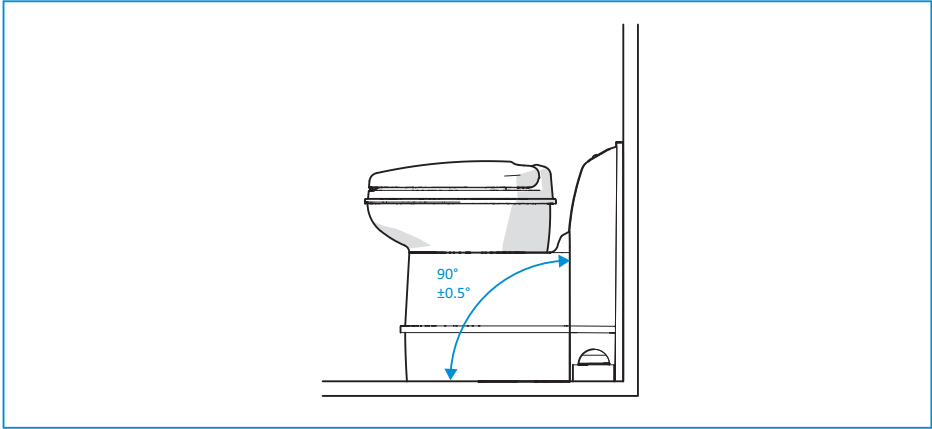
■ The other dimensions:



■ The bowl rotation:



- The floor-wall angle:



- Create the wall cut-outs for the service door, if applicable.



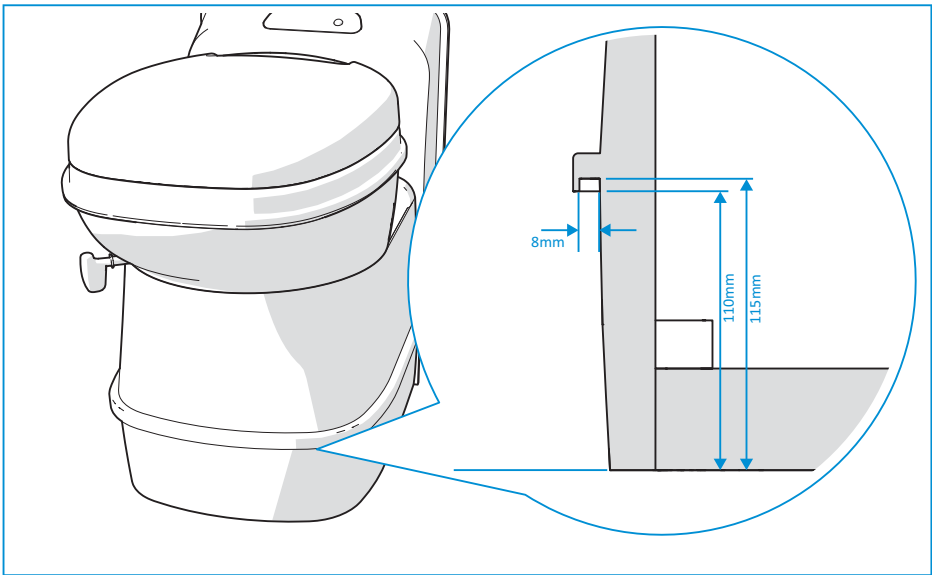
Use the template with drawings as the correct reference for the cut-out dimensions.

- Install the service door, if applicable.
- For further instructions, see the installation instructions of the door.



The wall thickness needs to be between 23mm and 39mm for a service door.

- Install a shower tray, if applicable.

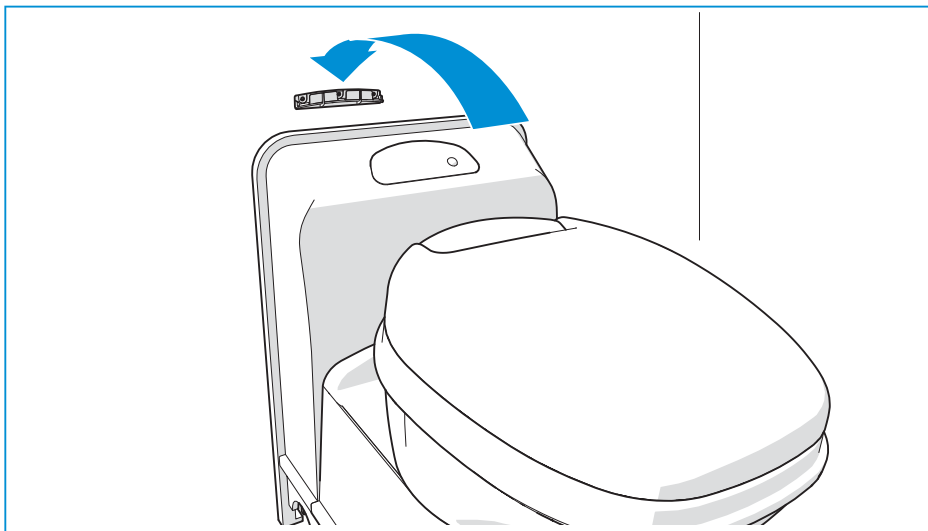


- Mount the wall bracket to the outside wall with three screws.

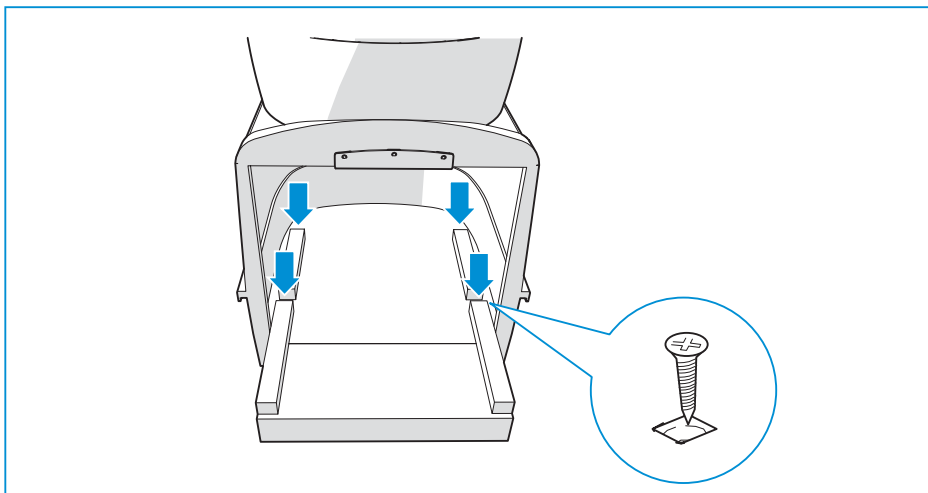


Use the template with drawings for the correct reference holes.

- Connect the toilet to the wall bracket.



- Mount the toilet to the floor with four screws.



Required torque: $1.2 \pm 0.3\text{Nm}$ for a Plywood floor.

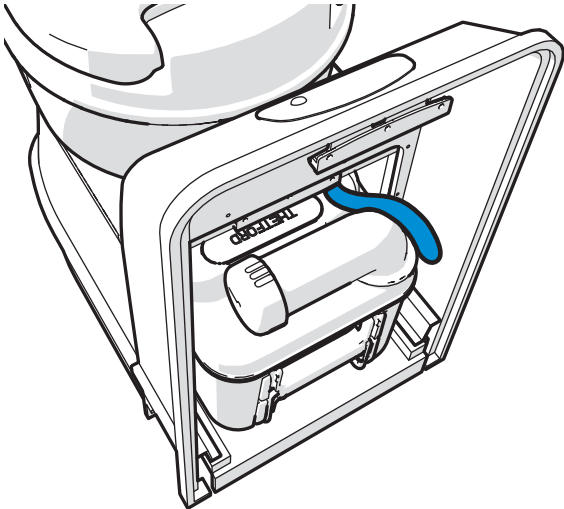


Screws are supplied by Thetford. If these are not used, use stainless steel screws.



Torque may differ if the floor is made from a different material.

- Connect the water hose.

Diameter	Inside: 10mm Outside: 16mm
Length and position	220mm from the last fixed point on the toilet 
Required pressure remote pump at the toilet inlet	Min. 0.35bar at 4.2L/min Max. 0.70bar at 7.1L/min
Maximum allowable pressure on hose	Europe: 4bar AUS/China/US: 8bar



Check that all connections are watertight.



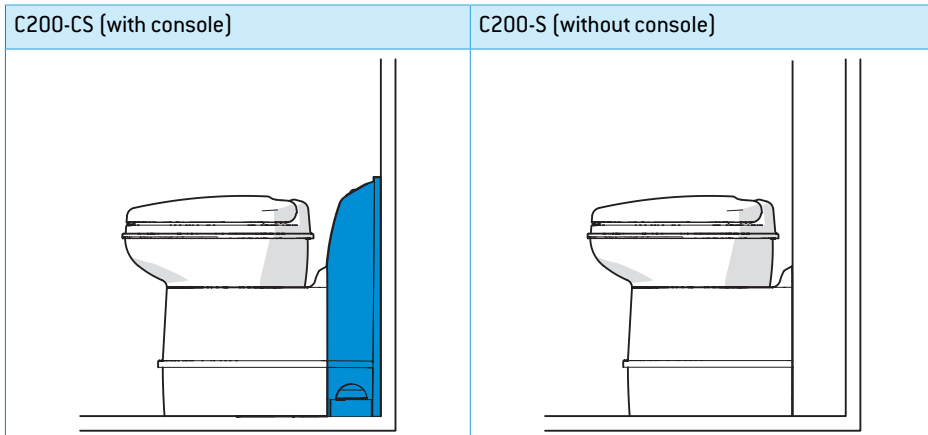
Make sure that after routing the water hose, the waste-holding tank can still be removed from the toilet.



Meet the required pressure for the remote pump at the toilet inlet to ensure correct flush. If the pressure is too high, install a flow restrictor.

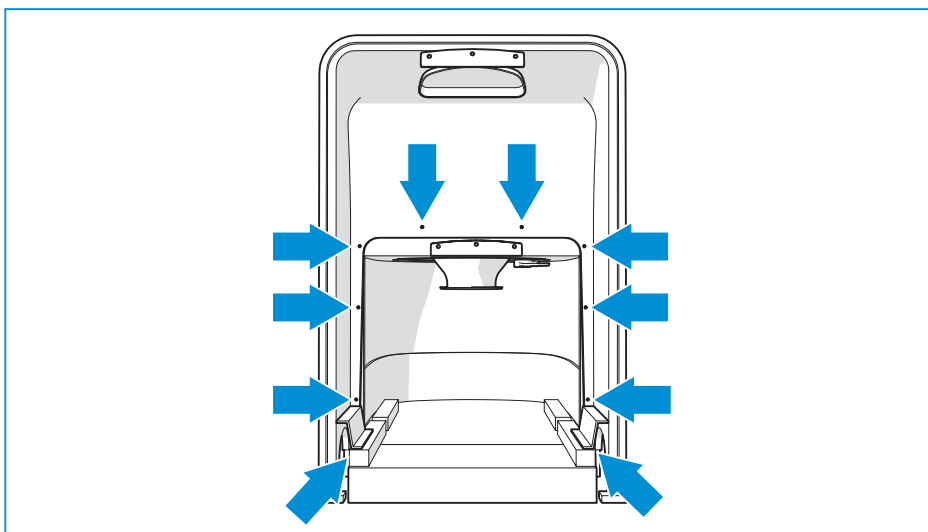
- Place the splashguard covers.

7. Position and placement (C200-S)

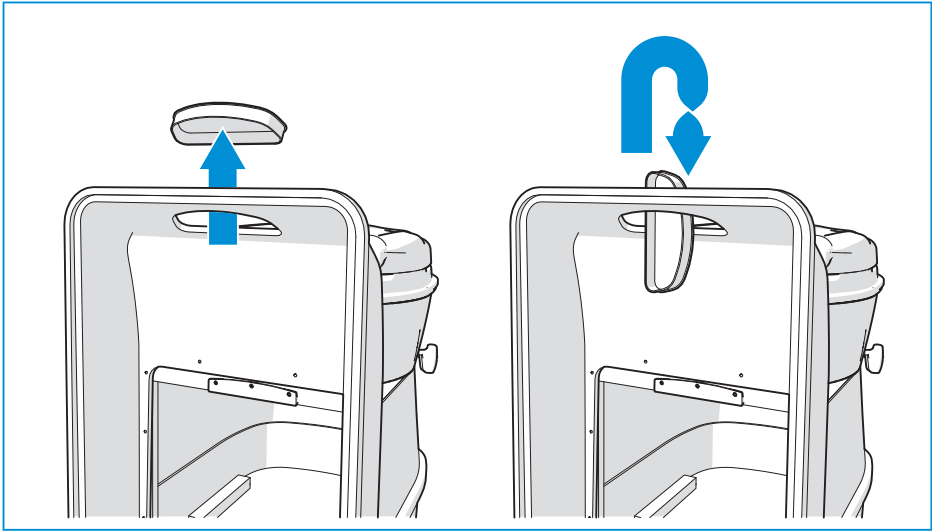


Removing the C200-CS console

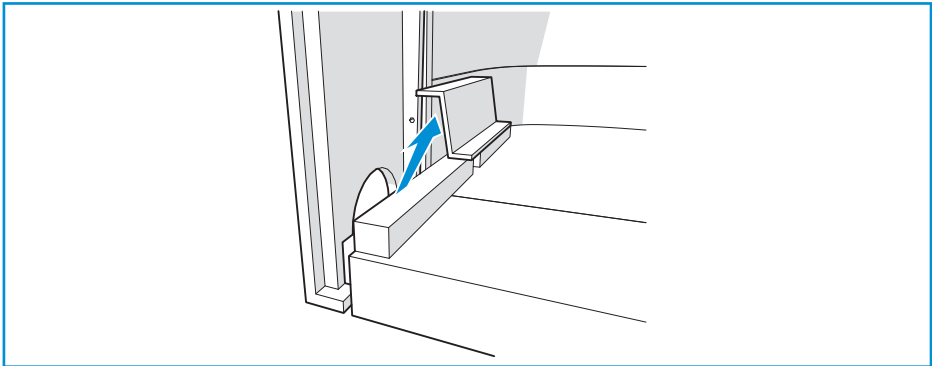
- Remove the 10 screws from the console:



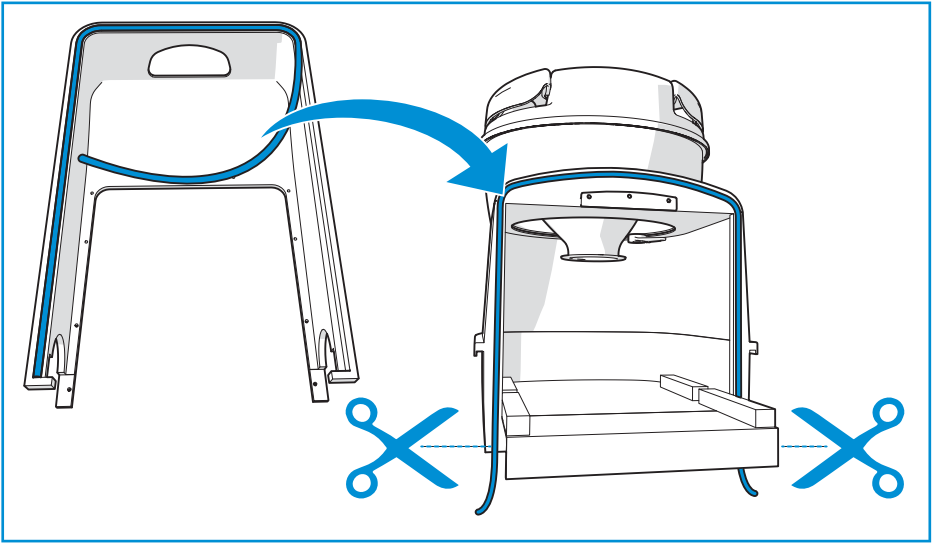
- Take out the control panel by pressing and rotating it in such a way that it fits through the opening.



- Remove the splashguards by pushing them out of their positions.

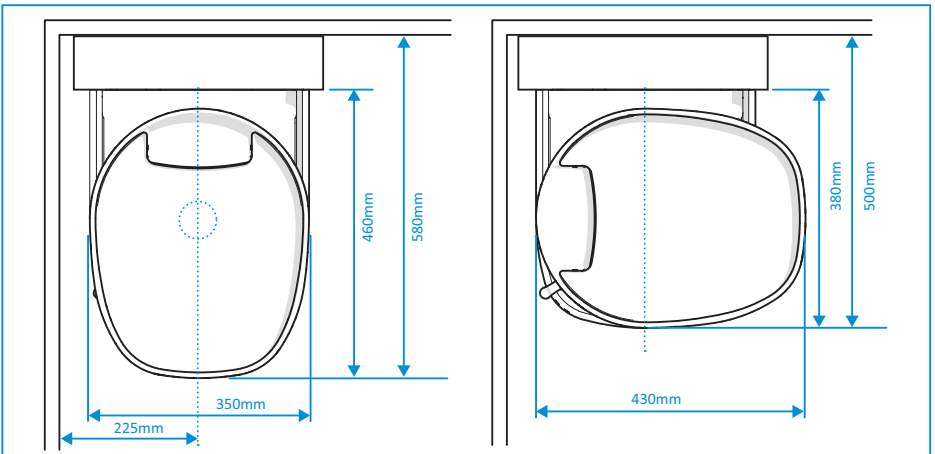


- Remove the console.
- Pull out the wall seal from the console.
- Replace the wall seal into the groove on the back of the toilet base.
- Press it in to the central groove and cut off the overlength.

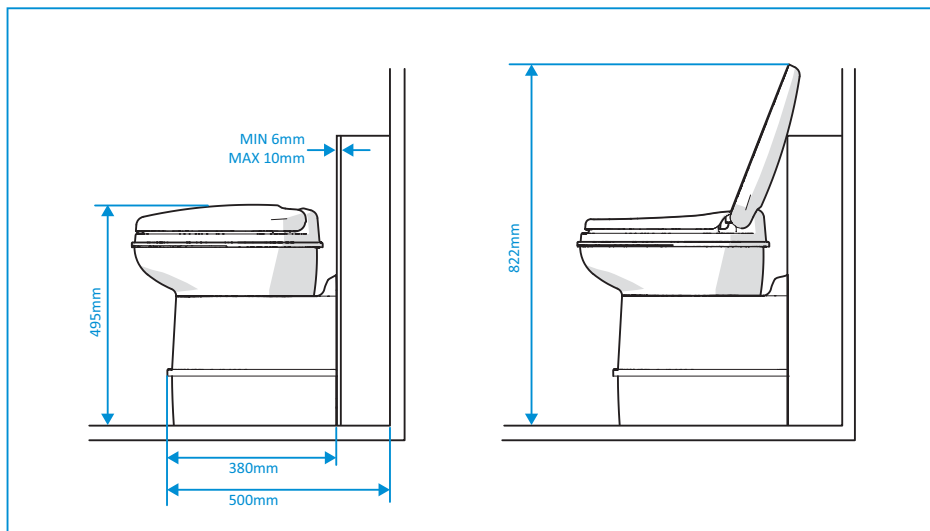


Installing the C200-S

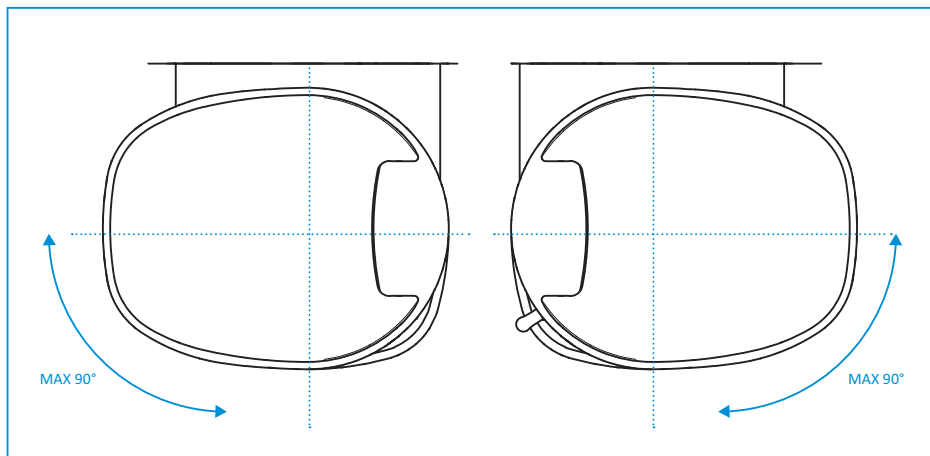
- The main bathroom dimensions:



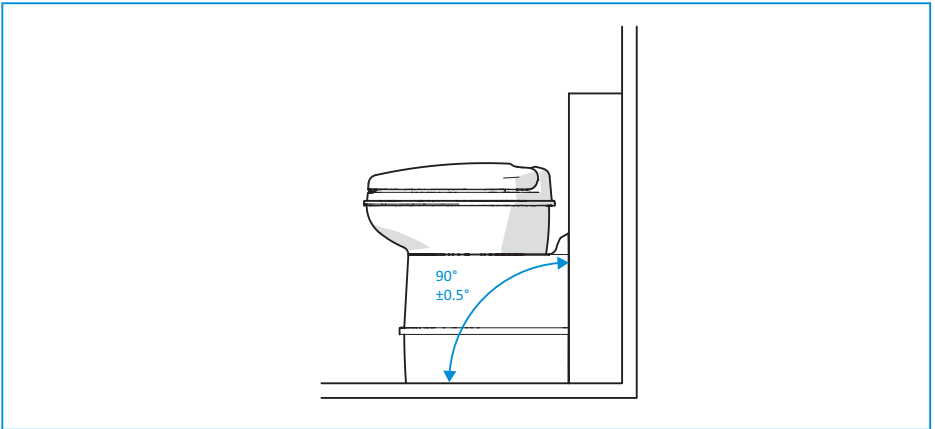
■ The other dimensions:



■ The bowl rotation:



- The floor-wall angle:



- Create the inside wall.



Use the template with drawings as the correct reference for the cut-out dimensions.

- Create the wall cut-outs for the service door, if applicable.



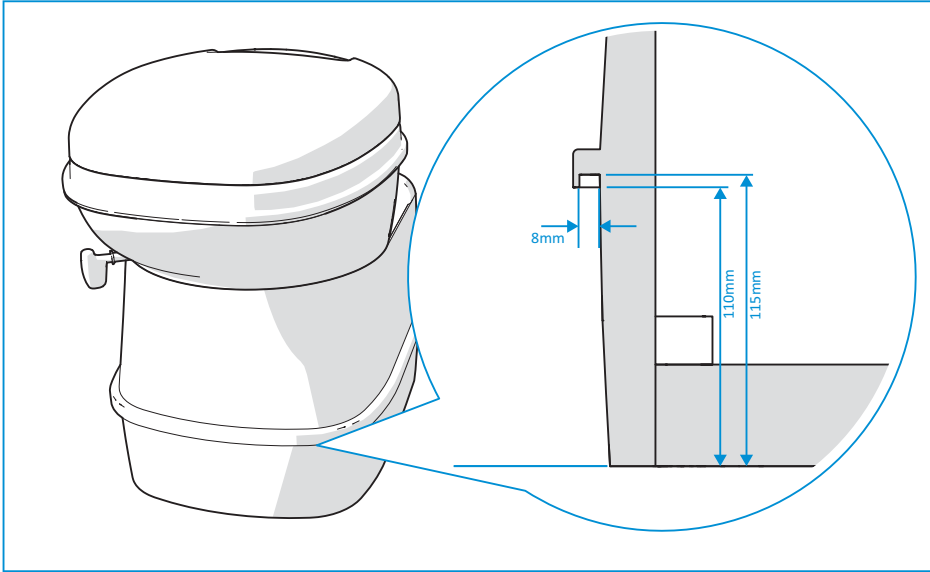
Use the template with drawings as the correct reference for the cut-out dimensions.

- Install the service door, if applicable.
- For further instructions, see the installation instructions of the door.



The wall thickness needs to be between 23mm and 39mm for a service door.

- Install a shower tray, if applicable.

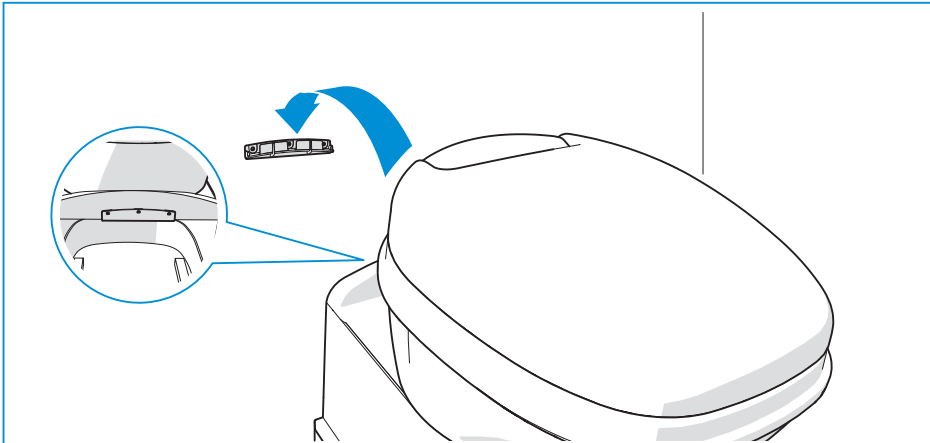


- Mount the wall bracket to the outside wall with three screws.



Use the template with drawings as the correct reference for the cut-out dimensions.

- Connect the toilet to the wall bracket.

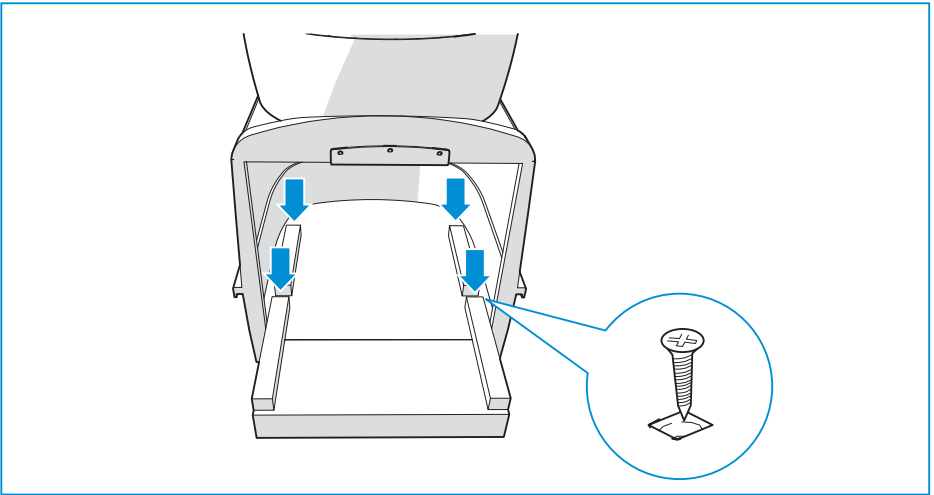


Required torque: 0.9Nm.



Use stainless steel screws.

- Mount the toilet to the floor with four screws.



Required torque: $1.2 \pm 0.3\text{Nm}$ for a Plywood floor.

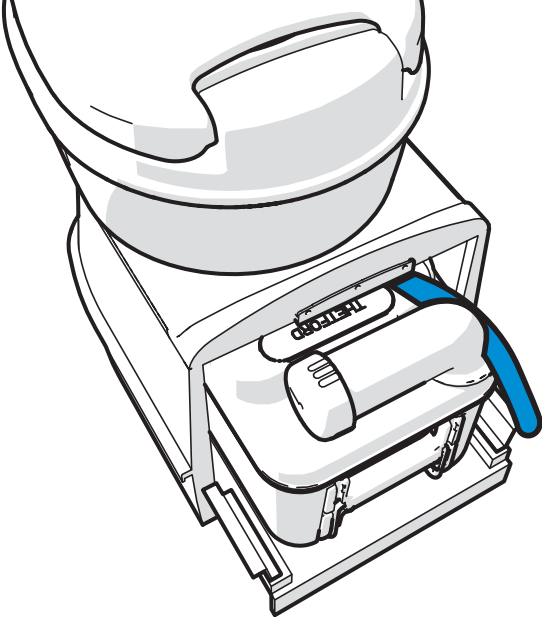


Screws are supplied by Thetford. If these are not used, use stainless steel screws.



Torque may differ if the floor is made from a different material.

- Connect the water hose.

Diameter	Inside: 10mm Outside: 16mm
Length and position	220mm from the last fixed point on the toilet 
Required pressure remote pump at the toilet inlet	Min. 0.35bar at 4.2L/min Max. 0.70bar at 7.1L/min
Maximum allowable pressure on hose	Europe: 4bar AUS/China/US: 8bar



Check that all connections are watertight.



Make sure that after routing the water hose, the waste-holding tank can still be removed from the toilet.



Meet the required pressure for the remote pump at the toilet inlet to ensure correct flush. If the pressure is too high, install a flow restrictor.

- Create cut-out for the control panel.
- Install the control panel at the desired location.



Do not install the control panel in the shower area unless a watertight connection between the control panel and wall can be guaranteed.

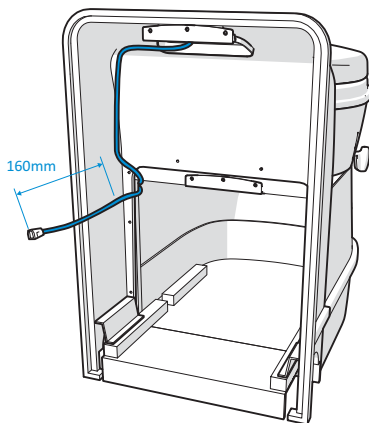


See [Connecting electricity](#) for more information about the control panel, including maximum cable lengths.

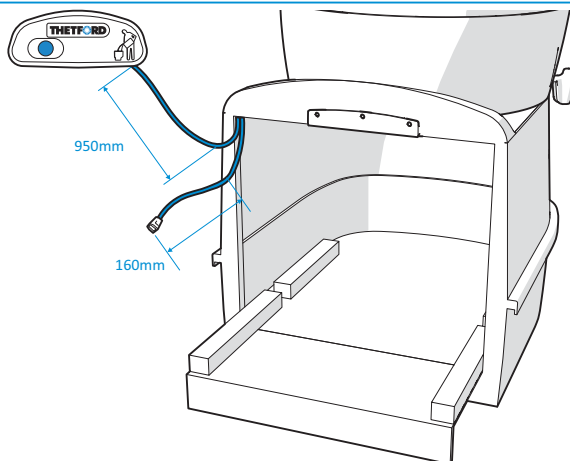
8. Connecting electricity

- Connect the cable.

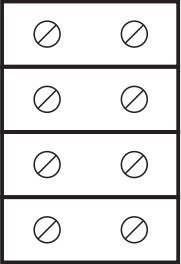

C200-CS



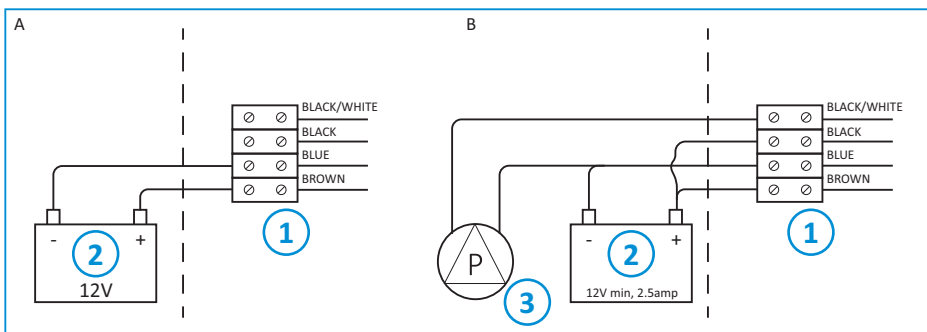
C200-S



- Use the following values to connect the power supply.

Remote pump	Black/white and blue are used for remote pump relays. Minimum voltage and wattage as indicated on the pump must be respected.
Connection	4 pole connector block
Position wiring	
Thickness	Black/white and black: 1.0 mm ² Blue and brown: 0.75 mm ²
Wire connections when the toilet is connected to a pressurised system (see wiring diagram A)	<p>The brown wire is positive. The blue wire is negative.</p>  <p>Do not connect the black wire. Do not connect the black/white wire.</p>
Wire connections when the toilet is connected to a water supply system that is not pressurised (see wiring diagram B)	<p>The brown wire is positive. The blue wire is negative. The black wire is positive. Connect the black/white wire to the positive connection of the pump.</p>

■ Wiring diagram:



A: model C200CS

1. Connector
2. 12V DC power supply

B: model C200S

1. Connector
2. 12V DC power supply
3. External flush pump (OEM)

9. After installation

- Ensure that all packaging materials have been removed.
- Check if the toilet flushes correctly.
- Check if the level indication works.
- Test all piping and connections and make sure they do not leak.
- Make sure it is possible to drain the water system completely to prevent frost damage.
- Check if the waste-holding tank can be removed and placed back.
- Check if the doors open and close properly.
- Ensure the doors are waterproof after installation.

10. Technical specifications

Table 1: Dimensions and weight

	C200-CS toilet		
Dimensions	H	W	D
mm	538	353	580
Empty weight	7.2kg		
Capacity waste-holding tank	16.4L		

11. Service & questions

Service

Before any service work is started, disconnect the appliance from electrical supplies.



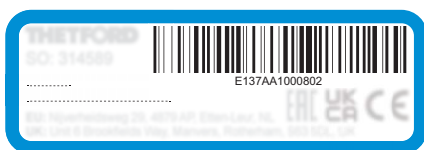
All servicing must be carried out by an approved competent person.

Questions

If you have questions about your product, parts, accessories or authorised services visit www.thetford.com.

If you contact an authorised local Service Centre in your country, provide the details of the model and serial number plus the date of purchase.

The data badge can be found on the base of the toilet.



Warranty

For our warranty clause, please refer to the conditions mentioned on www.thetford.com.

Declaration of Conformity

Thetford hereby declares that this product is in compliance with the essential requirements and other relevant provisions of the applicable Directives and Standards. A copy of the Declaration of Conformity can be found at www.thetford.com

EUROPEAN HEADQUARTERS

Thetford B.V.
P.O. Box 169
4870 AD Etten-Leur
The Netherlands

T +31 76 504 22 00
F +31 76 504 23 00
E info@thetford.eu

UNITED KINGDOM

Thetford Ltd.
Unit 6
Brookfields Way
Manvers, Rotherham
S63 5DL, England
United Kingdom

T +44 844 997 1960
F +44 844 997 1961
E info@thetford.eu

GERMANY

Thetford GmbH
Schallbruch 14
D-42781 Haan
Deutschland

T +49 2129 94250
F +49 2129 942525
E info@thetford.eu

FRANCE

Thetford S.A.R.L.
Parc BUROPLUS / Bâtiment 6
18, Boulevard de la Paix
CS 80008
95895 Cergy Pontoise Cedex
France

T +33 1 30 37 58 23
F not available
E info@thetford.eu

ITALY

Thetford Italy c/o Tecma s.r.l.
Via Flaminia
Loc. Castel delle Formiche
05030 Otricoli (TR)
Italia

T +39 0744 709071
F +39 0744 719833
E info@thetford.eu

SPAIN AND PORTUGAL

Mercè Grau Solà
Agente para España y Portugal
c/ Castellet, 36 bxs 2a
08800 Vilanova I la Geltrú
Barcelona
España

T +34 938 154 389
F not available
E info@thetford.eu

SCANDINAVIA

Thetford Scandinavia
Bangatan 6
521 43 Falköping
Sverige

T +46 31 336 35 80
F not available
E info@thetford.eu

AUSTRALIA

Thetford Australia Pty. Ltd.
130-132 Freight Drive
Somerton VIC 3062
Australia

T +61 3 9358 0700
F not available
E info@thetford.com.au
www.thetford.com.au

CHINA

Thetford China
Rm. 1207, Coastal Building
(East Block)
Haide 3rd Road, Nanshan District
Shenzen, 518054
China

T +86 755 8627 1393
F +86 755 8627 1673
E info@thetford.cn
www.thetford.cn