

## N4000 series Australian models

spare part list

### N4141

---

Front	2
Controls	4
Back	6

### N4175

---

Front	8
Controls	10
Back	12

*≤ March 2021*

Back	14
------	----

*≥ January 2021*

*Serialnumber*

*E005Yxxxxxxx*

### N4208

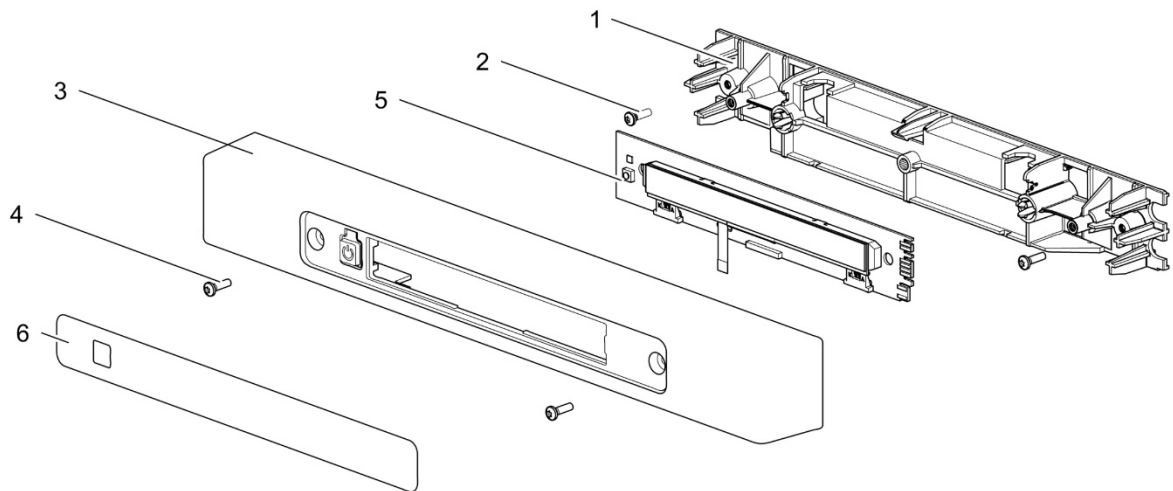
---

Front	16
Controls	10
Back	18



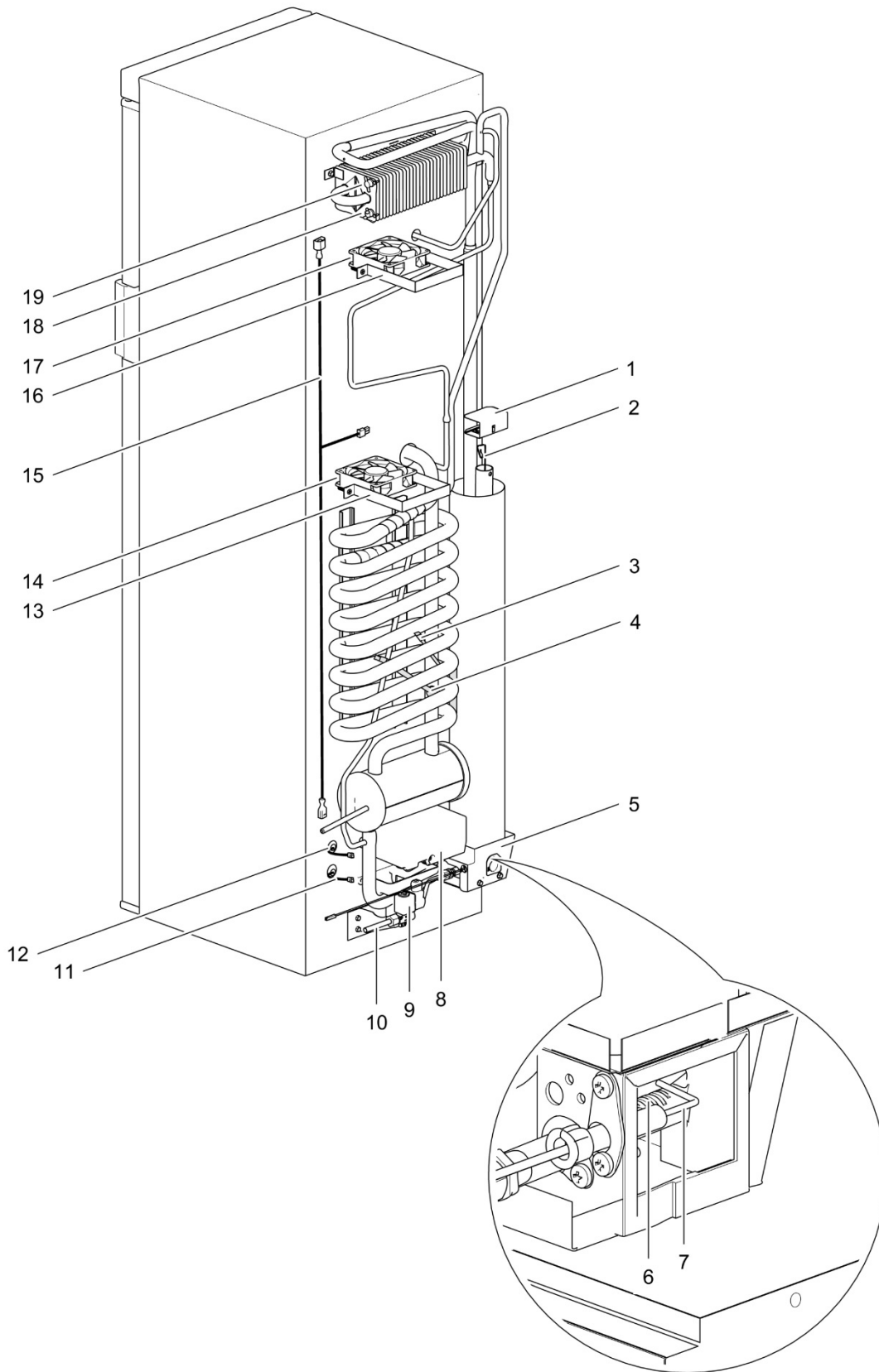
		Spare part number	Spare part number	Colours available
1	Hinge plate top left			
2	Hinge plate top right			
3	Hinge pin (including spring)			
4	Hinge plate bottom right	691456		27
5	Hinge plate bottom left			
6	Hinge pin bottom			
7	Control panel	<i>Refer to page 6</i>		
8	Cap freezer bolt (6x)	624479		08
9	Ice cube tray	Not available		
10	Internal fan	691729		
11	Freezer door		691112	
	Hinge freezer door (2x)	624680		08
12	Fin			
13	Identification label*			
14	Door lock plate		691113	
15	Door handle			
16	Shelf food retainer	691114		08
17	Shelf 340 x 182	691115		08
18	Clip shelf small	623626		08
19	Clip shelf large	623625		08
20	Shelf 340 x 241	691116		08
21	Cap (2x)	623622		08
22	Fin clip (3x)	623059		
23	Thermistor	623077		
24	Guiding cover	691118		08
25	Slide-out box	692253		144
26	Shelf 340 x 268	691117		08
27	Divider bar	Not available		
28	Drawer handle	691287		27
29	Drawer divider	691120		08
30	Drawer guides	691123		
31	Drawer bin	691288		08
32	Drawer door	69052127R		
	Door panel Drawer		690631138SP	
33	Cabinet door	69170627R		
	Door panel Cabinet		690630138SP	
34	Door bin	692254		144
NA	Clip - door conversion (2x)	691127		

\* With a request for information or service, always provide the serial number of the refrigerator. The serial number is the code below the barcode on the identification label.

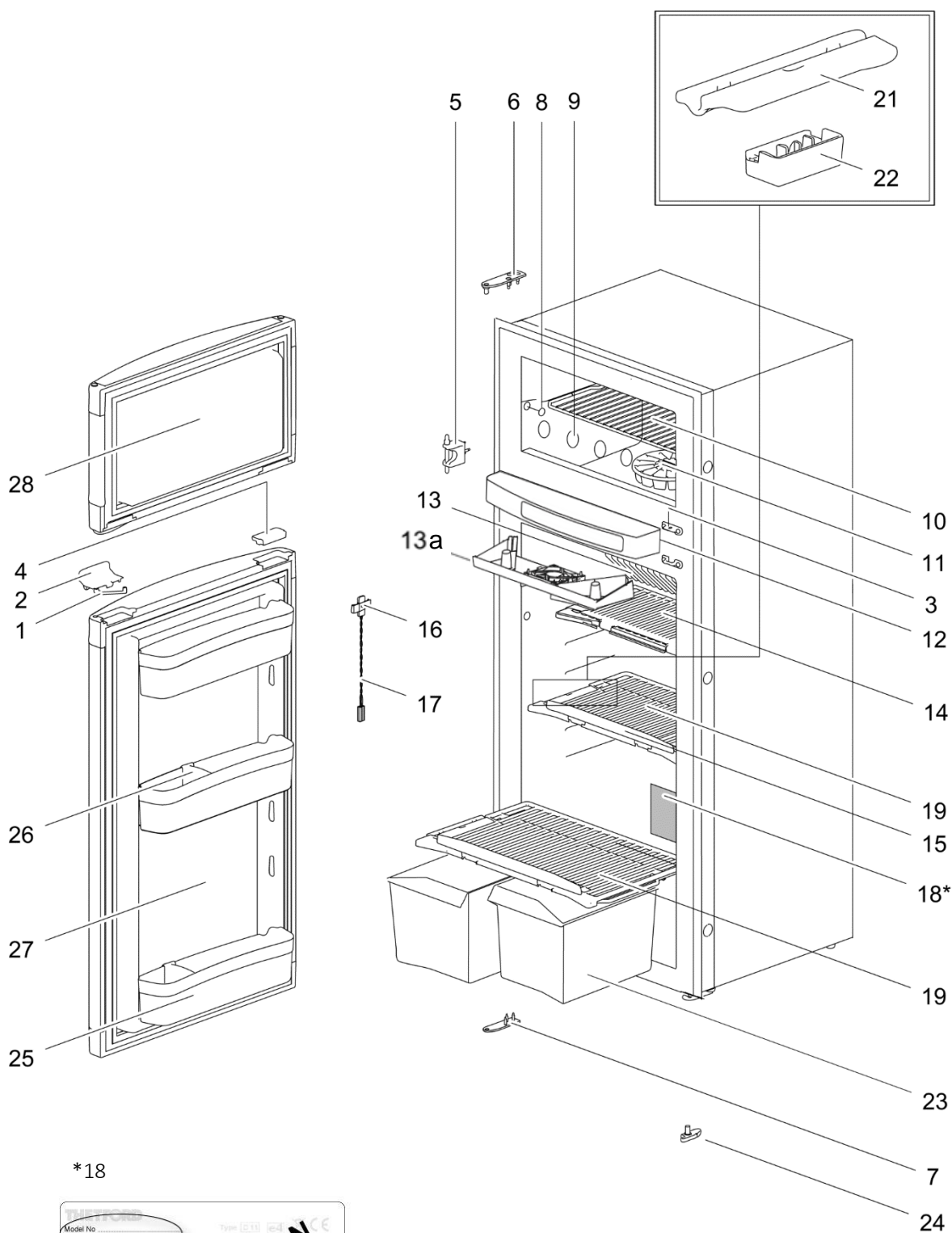


		Spare part number	Spare part number	Colours available
1	Technical panel flat <sup>1</sup>	691102		
2	Screws			
3	Housing flat <sup>1</sup>	691104		27
4	Screws			
5	PCB LCD DM		692245	
6	Sticker LCD	692241		

<sup>1</sup> Order also spare part 'Sticker LCD' (#6) with this spare part number



		Spare part number	Spare part number	Colours available
1	Heat cap	690839		
2	Heat diffuser	692394		
3	Heater AC 240VAC/300W	691193		
4	Heater DC 12VDC/205W	691125		
5	Heater box	Not available		
6	Burner assembly	690861		
7	Spark electrode	690840		
8	Power control board	692248		
9	Gas valve	691195		
10	Gas pipe	Not available		
11	Thermistor cable		692341	
	Loose connector temperature power board side	690855	<i>incl. connectors</i>	
12	Communication cable		690854	
	Loose connector communication	690856	<i>incl. connectors</i>	
13	Bracket Fan		690865	
14	Fan			
15	Fan extension cable	691727		
16	Bracket Fan		690865	
17	Fan			
18	Thermostat dc fan 90°	691728		
19	Thermostat dc fan	690866		



\*18



		Spare part number	Spare part number		Colours available
1	Storage strap (2x)	626986	626985** framed door	691739** frameless door	27
2	Latch				
3	Strike plate				
4	Pocket cover				
5	Center hinge	635010 <i>left handed</i>	635011 <i>right handed</i>		
6	Hinge plate				
7	Hinge plate				
8	Cap (2x)	623622			08
9	Cap freezer bolt (6x)	624479			08
10	Shelf 404 x 238.5	690843			08
11	Ice cube tray				
12	Control panel	<i>refer to page 10</i>			
13	Fin				
13a	Internal fan	691729			
14	Shelf rack 415 x 200	692511			144
15	Food retainer	692516			08
16	Fin clip	623059			
17	Thermistor	623077			
18	Identification label*				
19	Shelf rack 415 x 250	692512			144
21	Clip shelf rack large	692514			08
22	Clip rack safety lock	692515			08
23	Vegetable bin reversible	692524			144
24	Latch bottom	624001			27
25	Door bin	692520			144
26	Bottle retainer	692521			08
27	Cabinet door				
	<i>Framed (matt black) &lt; Nov 2019</i>	63503227R			
	<i>Framed (matt black) &gt; Nov 2019</i>	69222627R			
	<i>Frameless (piano black) &lt; Nov 2019</i>		690153138R		
	<i>Frameless (piano black) &gt; Nov 2019</i>		692228138R		
	Door panel Cabinet (framed)	691454SP			
28	Freezer door				
	<i>Framed (matt black)</i>	69237127R			
	<i>Frameless (piano black)</i>		692372138R		
	Door panel Freezer	691455SP			

\* With a request for information or service, always provide the serial number of the refrigerator. The serial number is the code below the barcode on the identification label.

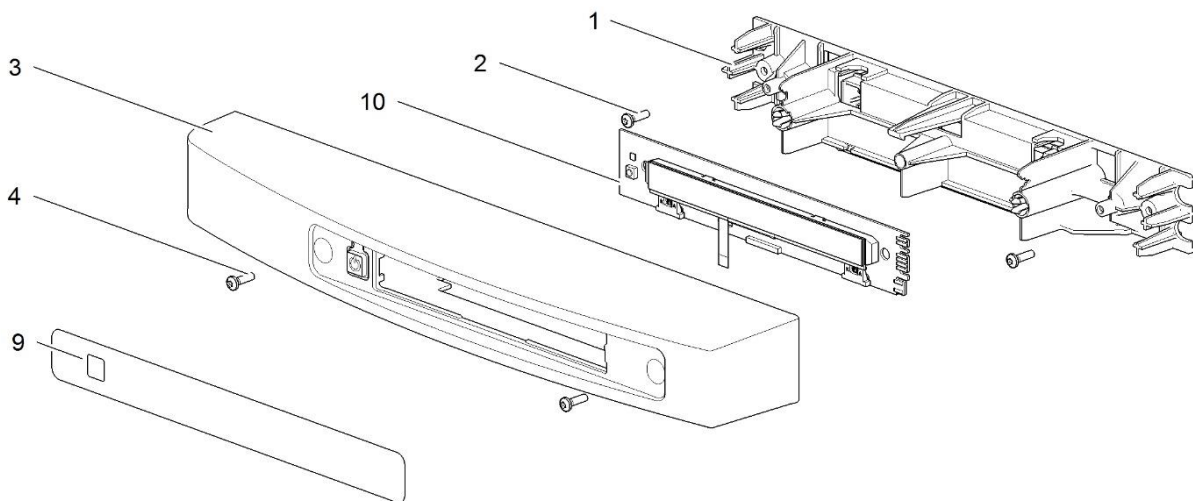
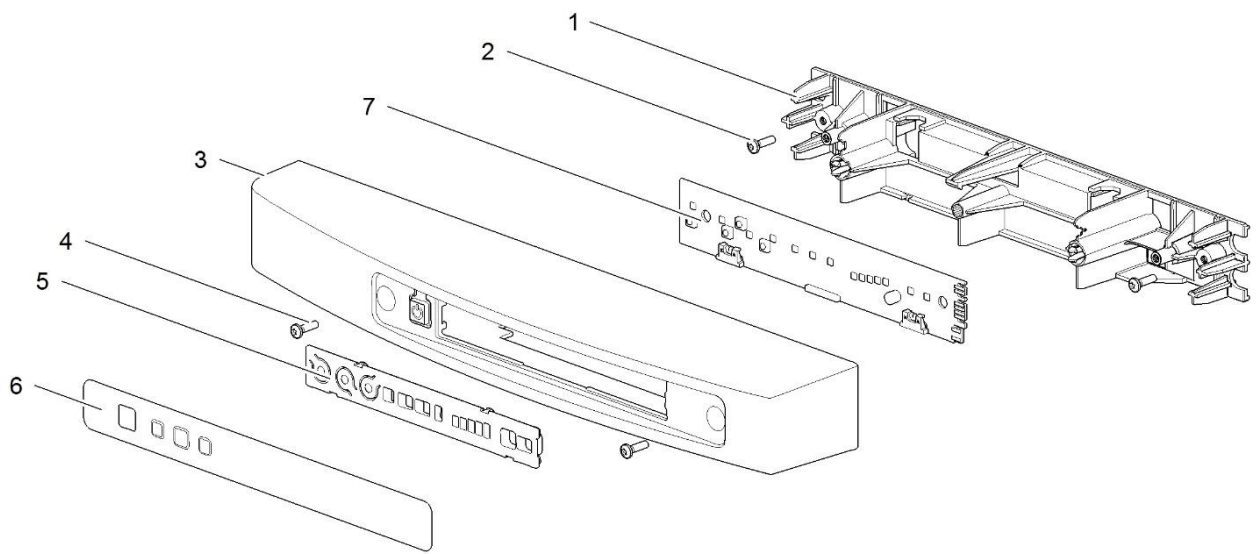
\*\*

62698527



69173927

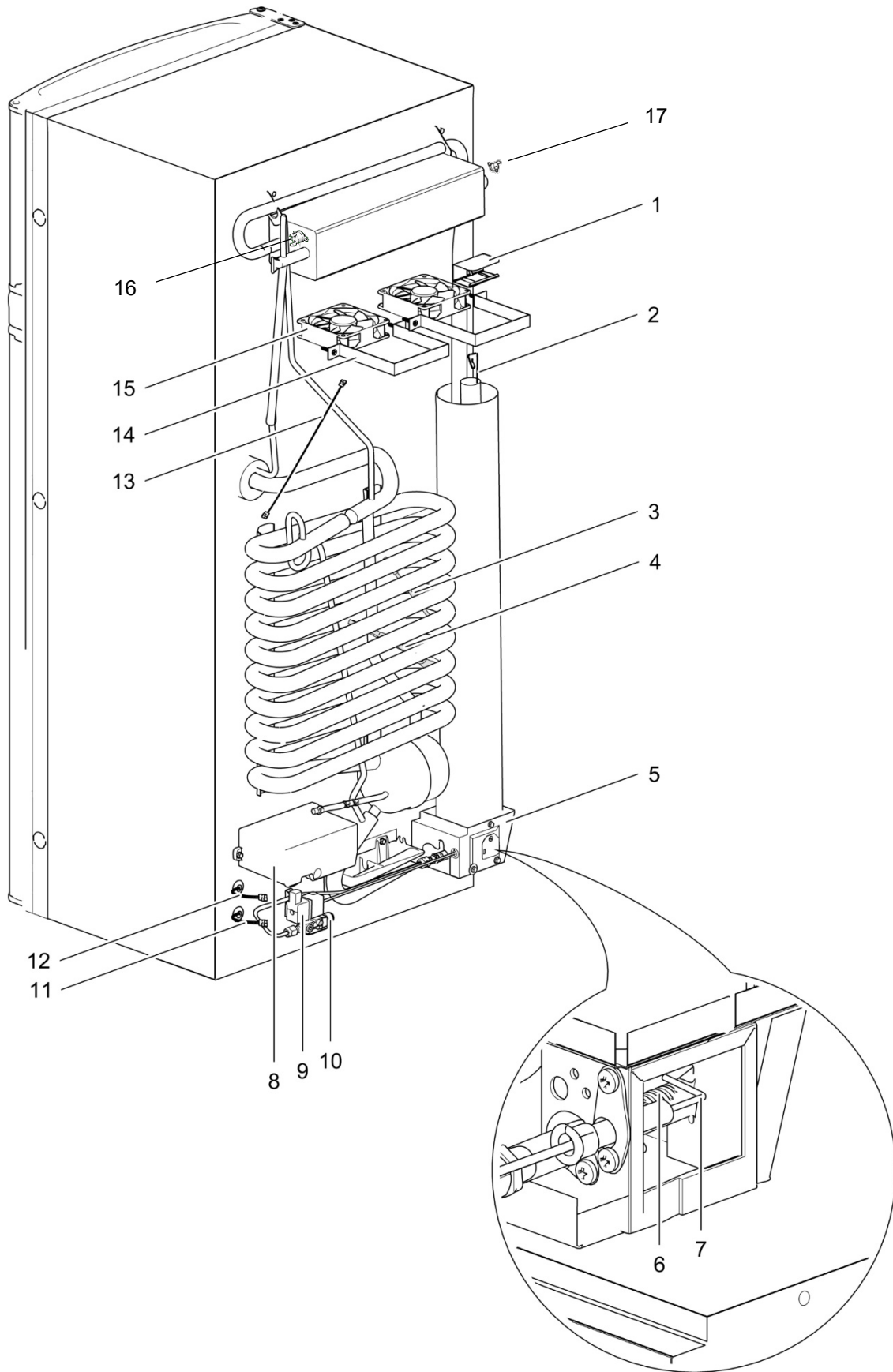




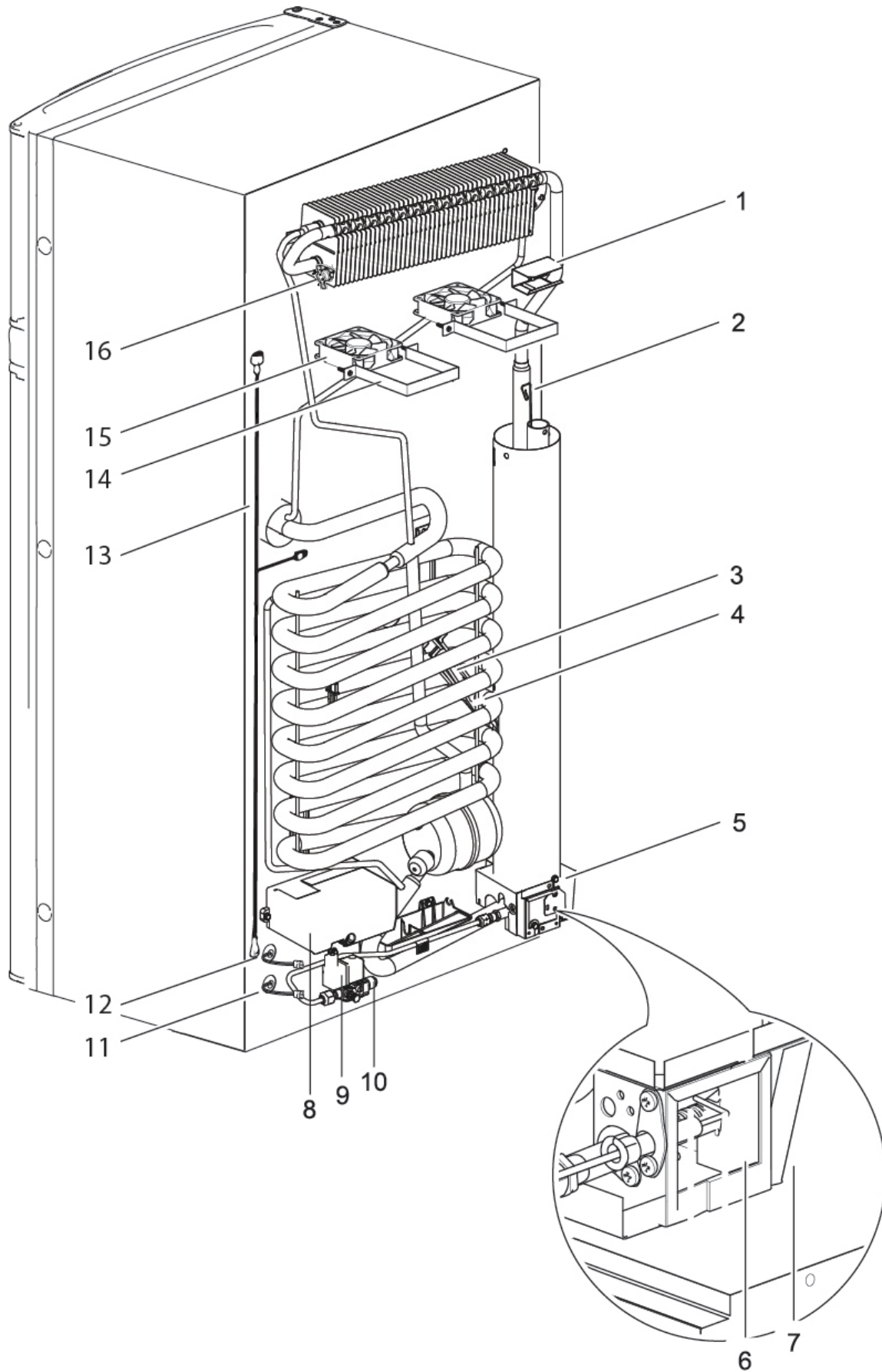
LE1005\_Control\_Panel-curved525

## Spare part number

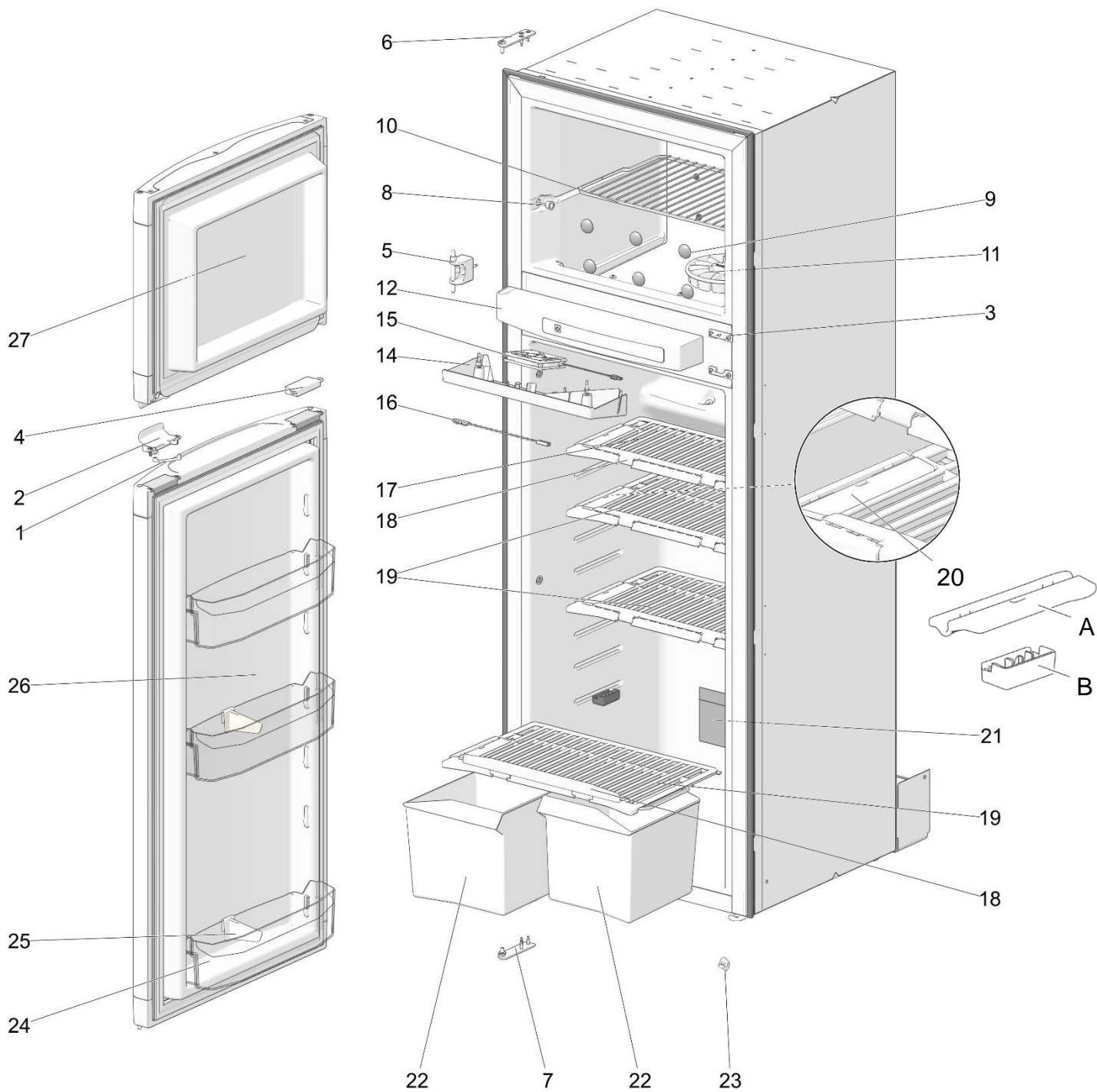
1	Technical panel curved	690825		
2	Screws			
3	Housing curved			
	Right hinged	69082627		
	Left hinged	69082727		
4	Screws			
5	Overlay LED+		692242	
6	Sticker LED+	692240		692243
7	PCB LED+ DM			
9	Sticker LCD	692241	692245	
10	PCB LCD DM			



		Spare part number	Spare part number	Colours available
1	Heat cap	690839		
2	Heat diffuser	692394		
3	Heater 240VAC/300W	691193		
4	Heater 12VDC/205W	691125		
5	Heater box			
6	Burner assembly	690861		
7	Spark electrode	690840		
8	Power control board	692248		
9	Gas valve	691195		
10	Gas pipe			
11	Thermistor cable		692341	
	Loose connector temperature power board side	690855	<i>incl. connectors</i>	
12	Communication cable		691194	
	Loose connector communication	690856	<i>incl. connectors</i>	
13	Fan extension cable	691727		
14	Bracket Fan 1x		690865	
15	Fan 1x			
16	Thermostat dc fan 90°	691728		
17	Thermostat dc fan	690866		



		Spare part number	Spare part number	Colours available
1	Heat cap	690839		
2	Heat diffuser	692394		
3	Heater 240VAC/300W	691193		
4	Heater 12VDC/205W	691125		
5	Heater box			
6	Burner assembly	690861		
7	Spark electrode	690840		
8	Power control board	692248		
9	Gas valve	691195		
10	Gas pipe			
11	Thermistor cable		692341	
	Loose connector temperature power board side	690855	<i>incl. connectors</i>	
12	Communication cable		690854	
	Loose connector communication	690856	<i>incl. connectors</i>	
13	Fan extension cable	691727		
14	Bracket Fan 1x		690865	
15	Fan 1x			
16	Thermostat dc fan	690866		



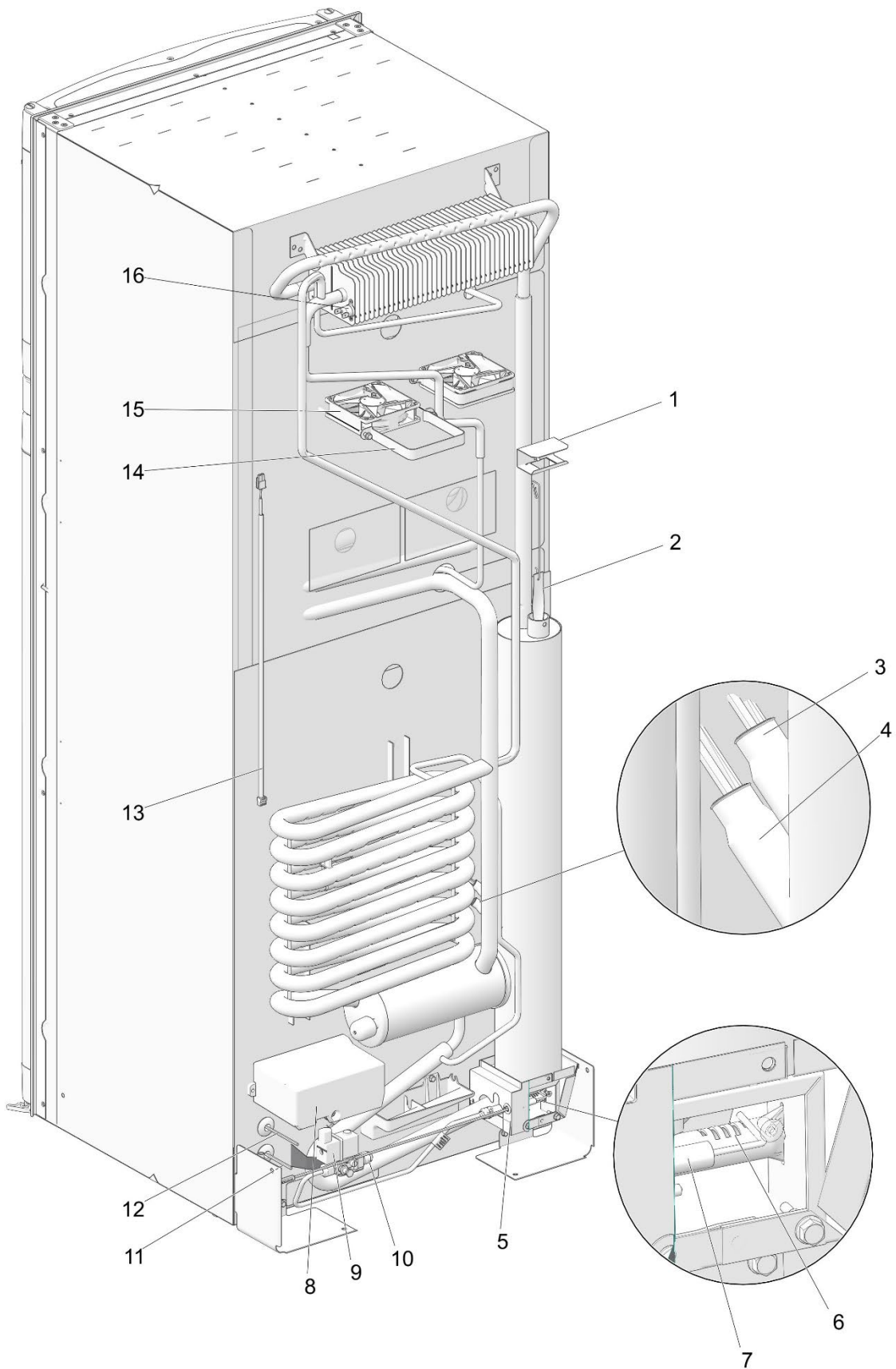
\*21

Model No	Type
Series No	Chassis Code
230 VAC, 50/60 Hz, 135 W, 12 VDC, 140 W 13E112	
Storage Volume	
Netto Volume	100 L
Volume Bruto	
Volume Utilizável	
Consumo Potência	170W/21-28-30/37 w/hw
Capacidade de Congelamento	120W/ 0.35/0.21 - 30 w/hw
Volumen Comp.	
Netto	
Netto	102
Volume Bruto	
Volume Utilizável	
CE 0863 BR2287	Part No. 234207
ABSORBER NH3 = 134.6 g	NA3CR04 = 10.1 g
g.max = 21 lit	
E30019	
©2012 Samsung_Cor	

		Spare part number	Spare part number	Colours available
1	Storage strap (2x)	626986		
2	Latch		626985	27
3	Strike plate			
4	Pocket cover			
5	Center hinge		635010	
6	Hinge plate	635010	635011	
7	Hinge plate	<i>left handed</i>	<i>right handed</i>	
8	Cap (2x)	623622		08
9	Cap freezer bolt (6x)	624479		08
10	Shelf 404 x 238.5	690843		08
11	Ice cube tray			
12	Control panel	<i>refer to page 10</i>		
13	Fin (not visible on drawing)			
14	Internal fan housing		691729	
15	Internal fan			
16	Thermistor	623077		
17	Shelf rack 415 x 200	692511		144
18	Food retainer	692516		08
19	Shelf rack 415 x 250	692512		144
20	A. Clip shelf rack large	692514		08
	B. Safety lock	692515		08
21	Identification label*			
22	Vegetable bin reversible	692524		144
23	Latch bottom	624001		27
24	Door bin	692520		144
25	Bottle retainer	692521		08
26	Cabinet door	69267127R		
	Door panel Cabinet	69272427SP (matt black)	692722138SP (piano black)	
27	Freezer door	69267827R		
	Door panel Freezer	69272527SP (matt black)	692723138SP (piano black)	

\* With a request for information or service, always provide the serial number of the refrigerator. The serial number is the code below the barcode on the identification label.

XXXXXX is not available anymore



		Spare part number	Spare part number	Colours available
1	Heat cap	690839		
2	Heat diffuser	692394		
3	Heater 240VAC/300W	691193		
4	Heater 12VDC/205W	691125		
5	Heater box			
6	Burner assembly	692396		
7	Spark electrode	690840		
8	Power control board	692248		
9	Gas valve	691195		
10	Gas pipe			
11	Thermistor cable		692341	
	Loose connector thermistor cable <i>power board side</i>	690855	<i>incl. connectors</i>	
12	Communication cable		690854	
	Loose connector communication cable	690856	<i>incl. connectors</i>	
13	Fan extension cable	692395		
14	Bracket fan 1x		690865	
15	Fan 1x			
16	Thermostat dc fan 90°	691728		