

THETFORD



INSTALLATION MANUAL
SEPARATION TOILET
S220 series

For the Australian market

EN-AUS

Original Installation Manual

Contents

1	Introduction.....	2
2	Safety.....	3
3	Serviceability.....	4
4	Designation codes, drawings and models.....	4
5	Technical specifications.....	5
6	Before installation.....	5
7	Installation.....	7
8	After installation.....	10
9	Service & questions.....	11

1. Introduction

General

This is the installation manual for the Thetford S220-S and S220-CS. The manual is meant for qualified installers who will install the toilet system in a caravan or camper.

Read the information and instructions carefully and follow them strictly to install the toilet system safely and correctly.

Also read the warnings in the user manual before testing the toilet system after installation.

Our policy is one of continuous development and improvement. Specifications and illustrations may change subsequent to publication. This document is version 212064/0725-V01 of the installation manual.

Please visit www.thetford.com for the most recent version.

If the appliance is not installed in accordance with national and European regulations, rules and standards this will void the warranty

Symbols

The following symbols may be used in this manual:



Warning. Risk of serious injury and/or damage.



Caution. Risk of moderate injury and/or damage.



Attention. Important information.



Note. Additional information.



Video. Additional instruction video available.

2. Safety

General



Risk of serious injury through burning, explosion, clamping, electrocution, suffocation and poisoning or damage to the product.

- Do not modify this appliance, unless the modification is authorised and carried out by the manufacturer or their agent.
- If the appliance is not installed in accordance with national and European law, regulations, rules and standards, this will void the warranty and may lead to criminal prosecution.
- Wear the correct Personal Protective Equipment during the installation. Also follow the applicable safety regulations.
- Only qualified and certified professionals are allowed to install the appliance.



The toilet can withstand a maximum load of 120kg. Make sure you do not overload the toilet.

Installation



Risk of serious injury through burning, explosion, clamping, electrocution, suffocation and poisoning or damage to the product.

- Do not install this toilet in a fixed indoor cabin or other dwelling applications. This toilet is made for use in RV and towable applications.
- To avoid a hazard due to instability of the appliance, it must be fixed in accordance with the instructions.
- The toilet must be installed in a way that allows easy access for maintenance and repairs.

- Do not install the toilet directly on carpet. Put the toilet on a metal or wood panel that extends the full width and depth of the toilet.
- Do not drill, cut or use excessive force on the toilet walls, except for screwing predefined positions. This may damage the appliance.
- When installing the appliance, ensure cables are not trapped or damaged.
- Route the cables away from the appliance and heat sources.
- Do not allow cables to hang loose into the compartment.
- Use only genuine and approved parts and materials.

3. Serviceability

The installer of Thetford products is responsible for correct installation according to the Thetford installation instructions to ensure the functionality and serviceability of the product.

In terms of serviceability, this means that a dealer or authorised Thetford service partner must be able to remove and re-install the Thetford product within the time that is allowed according to the Thetford time-list, using standard tools and equipment.

This is to claim any warranty during the warranty period after the purchase date.

In case of any queries on this subject, a Thetford local service representative can be contacted for additional support related to the installation of the product.

4. Designation codes, drawings and models

Each product has a specific identification code, the designation code. The designation code can be found on the data badge. See *Service & questions* for the location of the data badge. The different positions of the code stand for different variations of the toilet. In these instructions, the designation will be used as reference.

Table 1: Designation example: S22 0 S - N 062 X 31 U 01

S22	0	S	-N	062	X	30	U	01
------------	----------	----------	-----------	------------	----------	-----------	----------	-----------

S22	Toilet series
0	Type of water supply: none
S	Type of console
-N	
062	

X	Slide out direction waste-holding tank
30	
U	Type of level indication
01	

The 2D drawings consist of product dimensions and screw positions.

The 2D drawings are available upon request, 3D files are only available for the professional builder.

5. Technical specifications

Table 2: Dimensions, weight and capacity

Dimensions	S220-S			S220-CS		
	H	W	D	H	W	D
mm	499	394	580	535	419	583
Empty weight	5,2 kg			6 kg		
Capacity urine tank	7,5 L			7,5 L		
Capacity solids bucket	7,1 L			7,1 L		

6. Before installation

Content of the box

For the individually packaged appliance, check the content of the box:

- S220-S toilet
- 4 stainless steel screws
- User manual
- Installation manual

Gather the required tools:

- Electric saw
- Philips screwdriver no.2

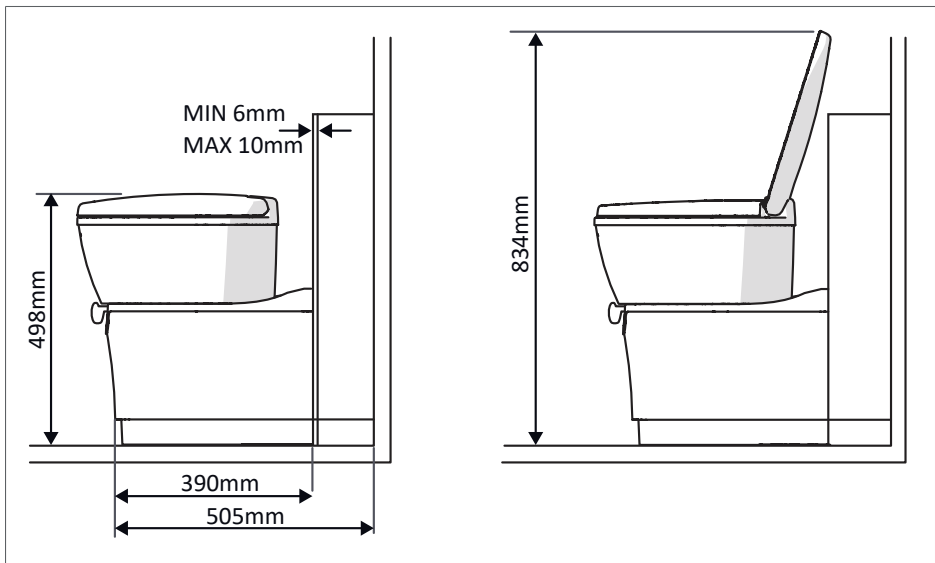
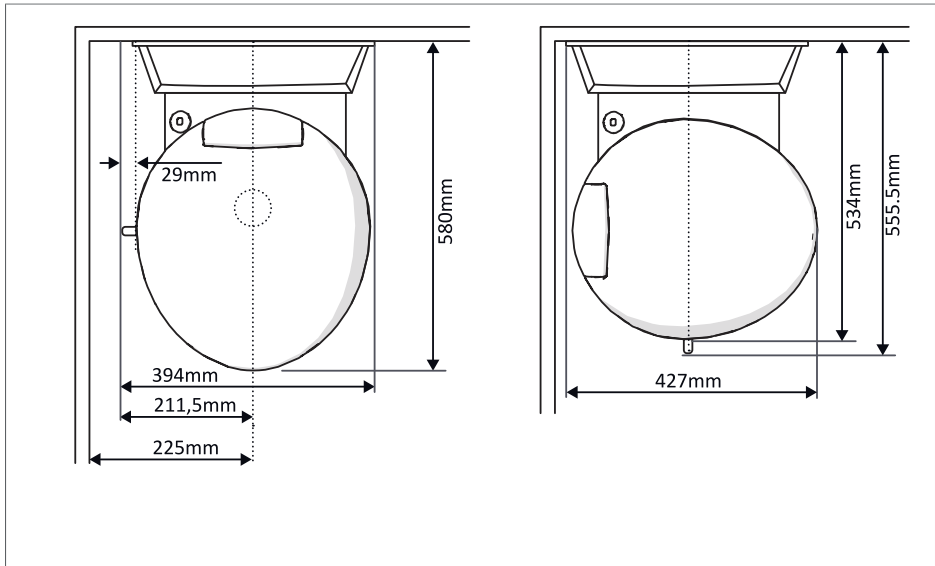


If something is missing from the box, please contact your dealer.

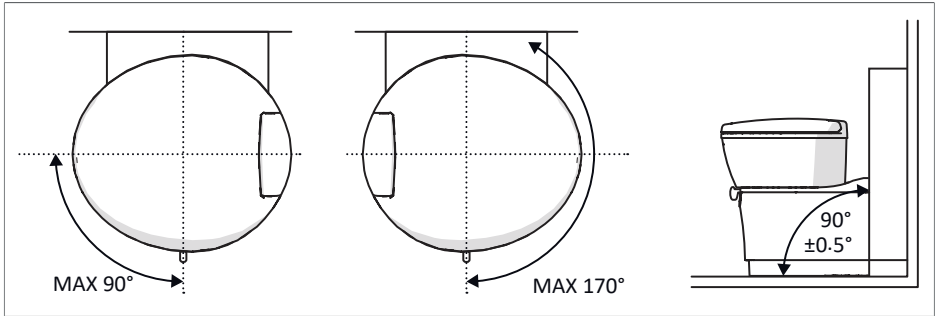


A service door is needed for the installation of this toilet.

S220-S dimensions



Bowl rotation and floor-wall angle



The bowl rotation and floor-wall angle are the same for all models.

7. Installation



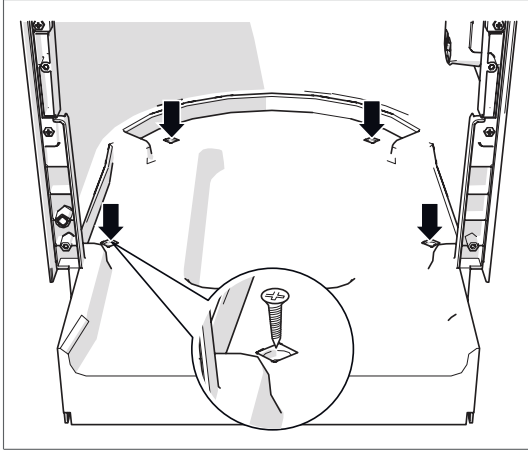
Read the applicable instructions in chapter *Safety* first.

Installation service door 3



A service door is needed for the installation of this toilet. For the installation of the S220, a water fill door is also needed. Please refer to the template S220 and service door D3 for further instructions.

S220-S floor fixation



- Slide the toilet into the cut-out and firmly against the wall.
- Mount the toilet to the floor with four screws.



Required torque: $1.2 \pm 0.3\text{Nm}$ for a Plywood floor.

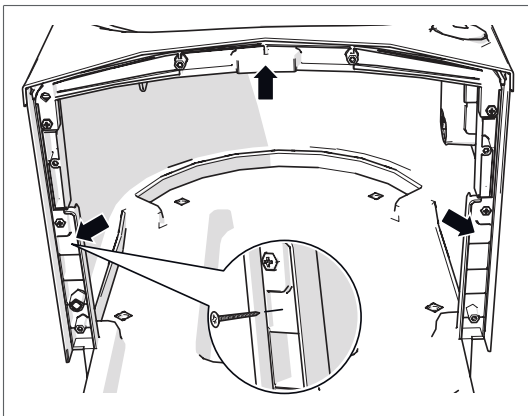


Screws are supplied by Thetford. If these are not used, use stainless steel screws.



Torque may differ if the floor is made from a different material.

S220-S wall fixation



- Connect the toilet to the inside wall with three screws.



Required torque: 0.9Nm.



Use stainless steel screws.

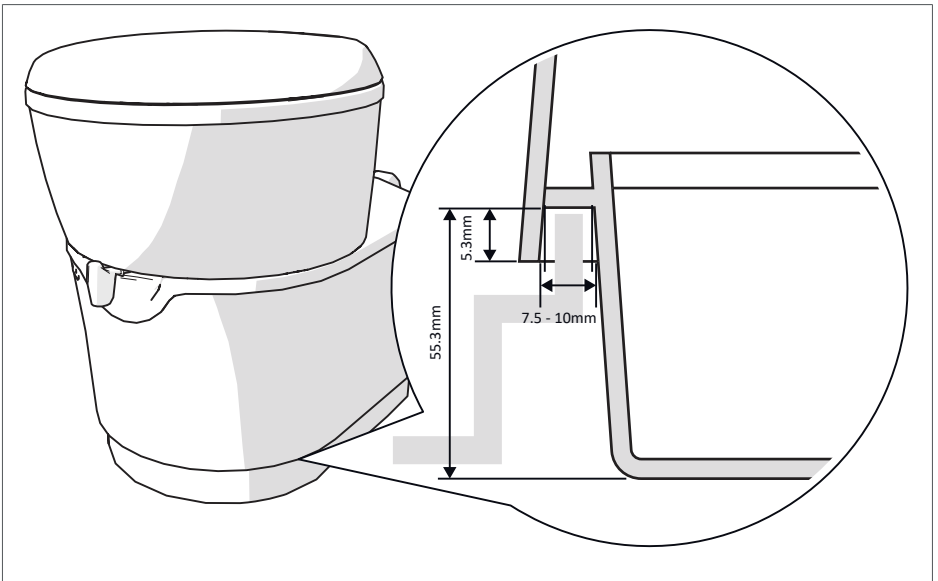


Make sure the appliance is located correctly in the designated space and the wall seal is positioned correctly.

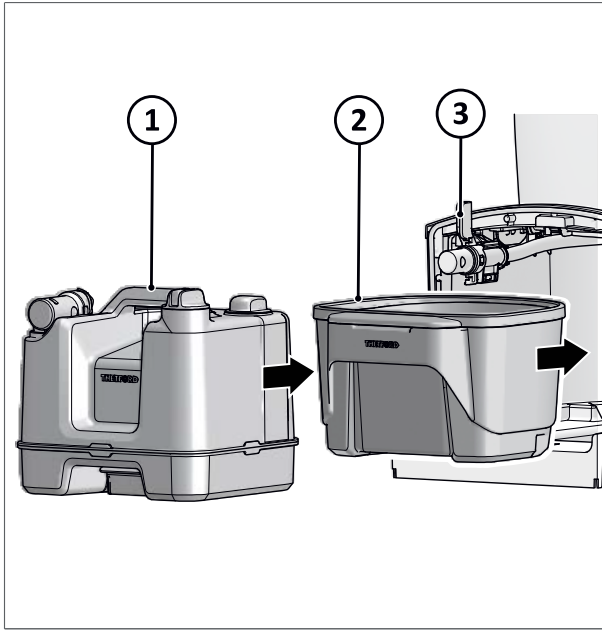
- Ensure all fasteners are tightened with the correct amount of torque.
- Ensure all connections are properly seated.

Shower tray

Install a shower tray, if applicable.



Solids bucket and urine tank



- Slide in the solids bucket (2) first.
- Slide in the urine tank (1) next.
- Turn the urine hose connector lever (3) clock-wise to the horizontal position, to secure the connection and open the valve.

8. After installation



Read the applicable instructions in chapter *Safety* first.

Visual and functional checks

Check if:

- All packaging materials have been removed.
- The wall seal is positioned correctly.
- There are no leaks from the toilet bowl to the urine tank.
- The urine-holding tank and solids bucket can be removed and placed back.
- The service door opens and closes properly.
- The service door is waterproof after installation.

9. Service & questions



Read the applicable instructions in chapter *Safety* first.

Service



All servicing must be carried out by an approved competent person.

Questions

If you have questions about your product, parts, accessories or authorised services visit www.thetford.com.

If you contact an authorised local Service Centre in your country, provide the details of the model and serial number plus the date of purchase. The data badge can be found on the base of the toilet and underneath the urine tank.

Toilet label



Urine tank label



Risk of water spillage. Use a cloth or towel to avoid any potential spilling and damage.

Warranty

For our warranty clause, please refer to the conditions mentioned on www.thetford.com.

Declaration of Conformity

Thetford hereby declares that this product is in compliance with the essential requirements and other relevant provisions of the applicable Directives and Standards. A copy of the Declaration of Conformity can be found at www.thetford.com.

EUROPEAN HEADQUARTERS

Thetford B.V.
P.O. Box 169
4870 AD Etten-Leur
The Netherlands

T +31 76 504 22 00
F +31 76 504 23 00
E info@thetford.eu

UNITED KINGDOM

Thetford Ltd.
Unit 6
Brookfields Way
Manvers, Rotherham
S63 5DL, England
United Kingdom

T +44 844 997 1960
F +44 844 997 1961
E infofgb@thetford.eu

GERMANY

Thetford GmbH
Schallbruch 14
D-42781 Haan
Deutschland

T +49 2129 94250
F +49 2129 942525
E infod@thetford.eu

FRANCE

Thetford S.A.R.L.
Bâtiment Le Louisiane
10, Chaussée Jules César
95520 Osny
France

T +33 1 30 37 58 23
F not available
E infof@thetford.eu

ITALY

Thetford Italy c/o Tecma s.r.l.
Via Flaminia
Loc. Castel delle Formiche
05030 Otricoli (TR)
Italia

T +39 0744 709071
F +39 0744 719833
E infoi@thetford.eu

SPAIN AND PORTUGAL

Mercè Grau Solà
Agente para España y Portugal
C/ Castellet, 36 bxs 2a
08800-Vilanova i la Geltrú
Barcelona
España

T +34 938 154 389
F not available
E infofsp@thetford.eu

SCANDINAVIA

Thetford Scandinavia
Bangatan 6
521 43 Falköping
Sverige

T +46 31 336 35 80
F not available
E infos@thetford.eu

AUSTRALIA

Thetford Australia Pty. Ltd.
130-132 Freight Drive
Somerton VIC 3062
Australia

T +61 3 9358 0700
F not available
E infoaus@thetford.com.au
www.thetford.com.au

CHINA

Thetford China
Rm. 1207, Coastal Building
(East Block)
Haide 3rd Road, Nanshan District
Shenzen, 518054
China

T +86 755 8627 1393
F +86 755 8627 1673
E info@thetford.cn
www.thetford.cn