

THETFORD



USER MANUAL

SEPARATION TOILET & KIT

S260 and SK260 series

EN

Original User Manual

Contents

1	Introduction.....	2
2	Safety.....	3
3	Main components.....	4
4	Before use.....	4
5	Use of the toilet.....	8
6	Maintenance and cleaning.....	10
7	Technical specifications.....	11
8	Service & questions.....	12
9	Disposal.....	13

1. Introduction

General

This is the user manual for your Thetford Toilet System . This manual supports the following models: S260-S, S260-CS and models with the SK260 toilet conversion kit.

Read the safety instructions and information on use and maintenance of the toilet system carefully before continuing. This will enable you to use the toilet system safely and efficiently. Retain this manual for future reference.

This document is version 212063/0725-V01 of the user manual. Our policy is one of continuous development and improvement. Specifications and illustrations may change subsequent to publication. Please visit www.thetford.com for the most recent version.

For more information about your product, including installation instructions, technical details, troubleshooting, instructional repair videos and spare parts, please visit the service page at www.thetford.com.

Symbols

The following symbols may be used in this manual:



Warning. Risk of serious injury and/or damage.



Caution Risk of moderate injury and/or damage.



Attention. Important information.



Note. Additional information.



Video. Additional instruction video available.

2. Safety

General



Risk of serious injury through burning, explosion, clamping, electrocution, suffocation and poisoning or damage to the product.

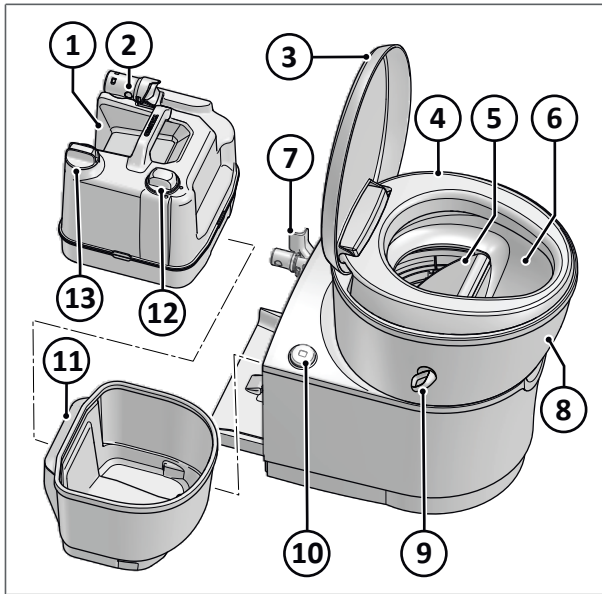
- Do not modify this appliance, unless the modification is authorised and carried out by the manufacturer or their agent.
- To prevent water damage to your caravan or motor home, do not travel with a waste-holding tank that is more than 3/4 full. This may cause leakage through the venting system.
- Never use force if you cannot get the urine tank back into place easily. If blockage occurs, always check if the urine tank valve handle is in the closed position.



The toilet can withstand a maximum load of 120kg. Make sure you do not overload the toilet.

3. Main components

S260 and SK260 series overview



1. Urine tank
2. Urine hose connector
3. Cover.
4. Seat.
5. Solids valve.
6. Urine bowl.
7. Urine hose connector.
8. Swiveling toilet bowl.
9. Solids valve control handle.
10. Tank level indicator.
11. Solids bucket with removable rim
12. Float
13. Poor out cap



A separation toilet is not connected to a central sewage. This toilet has a urine tank and a solids bucket, which you need to empty when full.

4. Before use



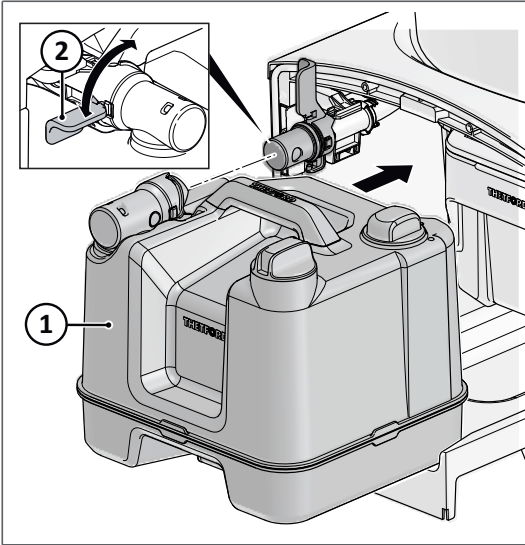
Read the applicable instructions in chapter *Safety* first.

Before using the appliance:

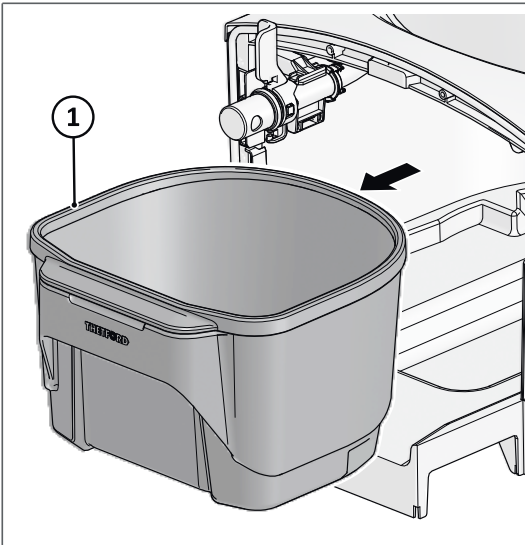
- Ensure that all packaging materials have been removed.
- Clean the appliance with the Thetford bathroom cleaner, or warm water and household detergent and dry carefully with a soft cloth.

Preparing the separation toilet for use

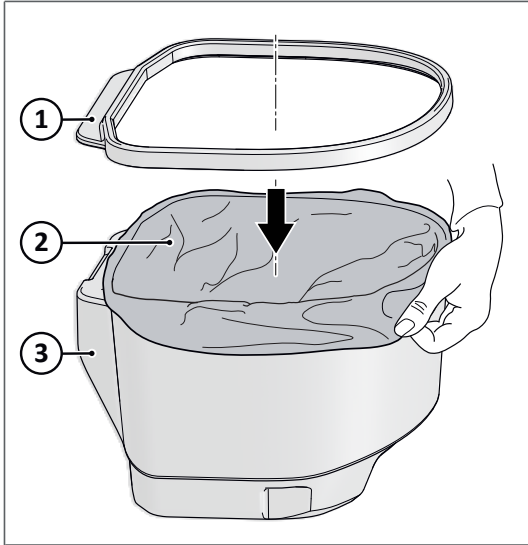
Solids bucket and urine tank



- Open the service door.
- Turn the valve handle (2) anti-clockwise, until it points upwards.
- Take out the urine tank (1).



- Ensure the solids valve in the bowl is closed.
- Slide out the solids bucket.



- Lift the green rim (1) from the solids bucket.
- Place a Thetford Separation Toilet Waste Bag (2) in the solids bucket.
- Place the rim back on the solids bucket (3), holding the bag in place.
- Place the solids bucket back in the designated position.

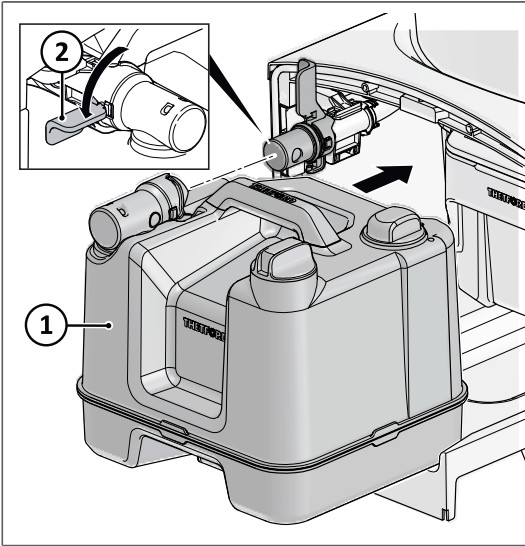


Thetford advises to use Thetford Separation Toilet Drying Agent after every use of the solids bucket. Please refer to the instructions of this product for the correct dosage information.



Tip: If preferred, 300ml (one large coffee cup) sawdust can be sprinkled on the bottom of the bag, before first use.

Urine tank

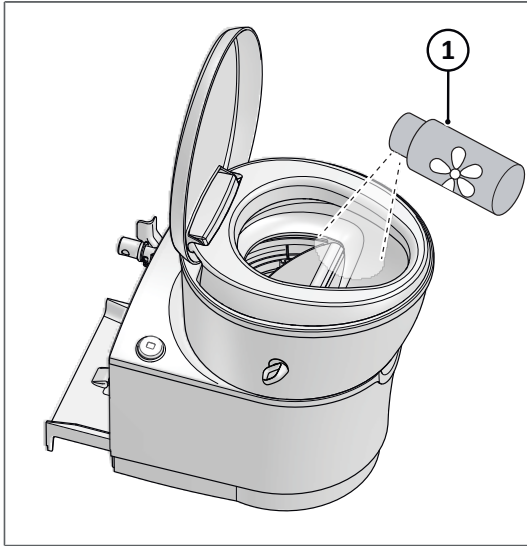


- Check if the pour out cap is closed.
- Slide the urine tank back in place.
- Turn the valve handle clockwise to the horizontal position, to lock the tank in place and open the valve.



The urine tank has an open connection with the urine section of the bowl.

Consumable



With the urine tank in place and in the locked position:

- Pour undiluted Urine Tank Fresh gently in the urine section, aiming at the drain hole.



Please refer to the instructions for this product for the correct dosage information.



Thetford advises to use Thetford Urine Tank Fresh.



Thetford green toilet additives are completely safe to empty into a septic tank or small biological systems on camping sites.

5. Use of the toilet

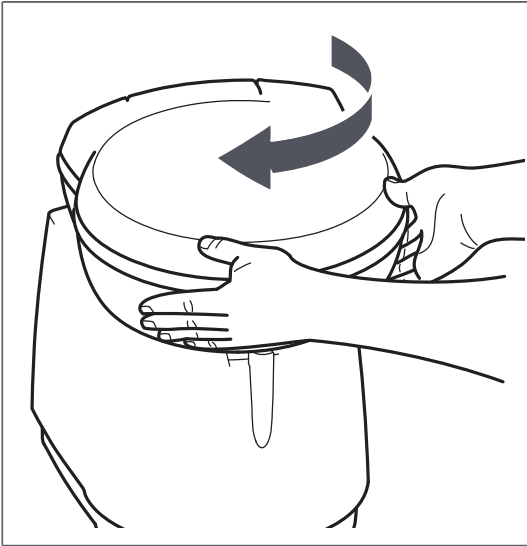


Read the applicable instructions in chapter *Safety* first.



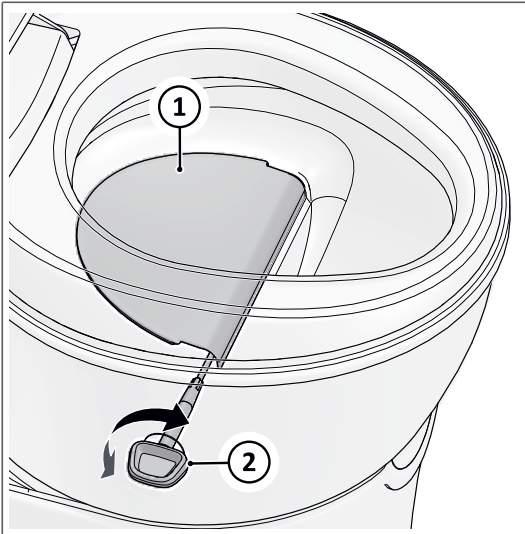
See *Main components* for an overview of the control components.

Rotation



- Close the cover and use both hands to rotate the bowl to the desired position (max. 90° degrees left and right from the straight position).

Solids section



- Turn the Solids valve control handle (2) counterclockwise to open the lid (1) and clockwise to close the lid.
- Always close the lid completely after use



Thetford advises to use Separation Toilet Drying Agent after every use of the solids bucket. Please refer to the instructions of this product for the correct dosage information.

While driving



To prevent waste water damage to your caravan or motor home, do not travel with a urine tank that is more than 3/4 full

6. Maintenance and cleaning



Read the applicable instructions in chapter *Safety* first.

General

Thetford recommends cleaning your toilet regularly to prevent limescale and ensure optimal hygiene.

- Always remove any spills or contamination immediately with Thetford Bathroom Cleaner or a mild household cleaner and soft cloth.
- Clean the inside of the bowl with Thetford Bowl Cleaner and a soft brush.
- Clean the outside of the bowl with Thetford Bathroom Cleaner.
- Remove the seat and cover to clean your toilet thoroughly. To do this, push the seat and cover together to the right, then lift them up.



Never use household cleaners to clean your toilet. These may cause permanent damage to the seals and other toilet components. For example, the use of liquid bleach could lead to discoloration.

- Use Thetford Cassette Tank Cleaner 2 to 3 times a year on the waste-holding tank to remove stubborn limescale on the inside of the tank.



Never use Vaseline or vegetable oil to lubricate the seals. This may cause leakage to your waste-holding tank.

Emptying and cleaning the urine tank



Your toilet has a 1-level indication for the urine tank. When the slide turns from green to red, the waste-holding tank is full.

- Follow the instructions for removing the urine tank as described in the chapter *Before use*.
- Bring the tank to an authorised waste disposal point.
- Open the cap and empty the tank. See *Main components* for the location of the components.
- Fill the tank with $\pm 2-3$ L of water and place the pour out cap back.
- Gently shake the tank to clean it. Empty the tank again.
- If you want to continue using your toilet after emptying the tank, prepare the tank again. See *Before use* for instructions.

Emptying the solids bucket



Your toilet has no level indication for the solids bucket, only a visual inspection can indicate how full the solids bucket is.

- Follow the instructions for removing the urine tank and solids bucket, as described in *Before use*.
- Close the bag and bring it to an authorised waste disposal point.
- If you want to continue using your toilet after emptying the solids bucket, prepare it again. See *Before use* for instructions.

Storage

If you do not use the toilet for a longer period, we recommend maintaining your toilet before putting it into storage:

- Before emptying the urine tank, pour one or more cups of water in the urine bowl, to flush the urine-hose.
- Use Thetford Bowl Cleaner to rinse the bowl and hose properly.
- Empty the urine tank and clean it.
- Empty the solids bucket and clean it.
- Thoroughly clean and dry the whole toilet.
- Ensure ventilation of the urine tank and hose:
 - Place the urine tank back, with the urine hose valve in the horizontal locked (open) position.
 - Loosen or remove the pour out cap of the tank.
 - Alternatively: With the urine tank removed, turn the valve in the horizontal position. Remove the pour out cap from the urine tank and store them elsewhere.

7. Technical specifications

Table 1: Dimensions, weight and capacity

	S260		
Dimensions	H	W	D
mm	487	401	603
Empty weight	5.9 kg		
Capacity urine tank	7,5 L		
Capacity solids bucket	7.1 L		

8. Service & questions



Read the applicable instructions in chapter *Safety* first.

Service



All servicing must be carried out by an approved competent person.

Problem	Possible cause	Solution
Urine hose seal leaks	Seal is dry	Spray seal with seal lubricant
	Seal is worn	Replace seal
Level indication doesn't work	Tank in incorrect position Float in incorrect position Switch in incorrect position	Reposition waste tank Reposition float Test switch
Can't close connector	Tank in incorrect position	Reposition waste tank

Questions

If you have questions about your product, parts, accessories or authorised services visit www.thetford.com.

Toilet label



Urine tank label



Risk of water spillage. Use a cloth or towel to avoid any potential spilling and damage.

Warranty

For our warranty clause, please refer to the conditions mentioned on www.thetford.com.

Declaration of Conformity

Thetford hereby declares that this product is in compliance with the essential requirements and other relevant provisions of the applicable Directives and Standards. A copy of the Declaration of Conformity can be found at www.thetford.com.

9. Disposal



Your product has been designed and manufactured with high quality materials and components, which can be recycled and reused. When your product has reached its end of life, dispose of the product according to the local rules. **DO NOT** dispose of the product with the normal household waste. The correct disposal of your old product will help prevent potential negative consequences to the environment and human health.

EUROPEAN HEADQUARTERS

Thetford B.V.
P.O. Box 169
4870 AD Etten-Leur
The Netherlands

T +31 76 504 22 00
F +31 76 504 23 00
E info@thetford.eu

UNITED KINGDOM

Thetford Ltd.
Unit 6
Brookfields Way
Manvers, Rotherham
S63 5DL, England
United Kingdom

T +44 844 997 1960
F +44 844 997 1961
E infogb@thetford.eu

GERMANY

Thetford GmbH
Schallbruch 14
D-42781 Haan
Deutschland

T +49 2129 94250
F +49 2129 942525
E infod@thetford.eu

FRANCE

Thetford S.A.R.L.
Bâtiment Le Louisiane
10, Chaussée Jules César
95520 Osny
France

T +33 1 30 37 58 23
F not available
E infof@thetford.eu

ITALY

Thetford Italy c/o Tecma s.r.l.
Via Flaminia
Loc. Castel delle Formiche
05030 Otricoli (TR)
Italia

T +39 0744 709071
F +39 0744 719833
E infoi@thetford.eu

SPAIN AND PORTUGAL

Mercè Grau Solà
Agente para España y Portugal
C/ Castellet, 36 bxs 2a
08800-Vilanova i la Geltrú
Barcelona
España

T +34 938 154 389
F not available
E infosp@thetford.eu

SCANDINAVIA

Thetford Scandinavia
Bangatan 6
521 43 Falköping
Sverige

T +46 31 336 35 80
F not available
E infos@thetford.eu

AUSTRALIA

Thetford Australia Pty. Ltd.
130-132 Freight Drive
Somerton VIC 3062
Australia

T +61 3 9358 0700
F not available
E infoaus@thetford.com.au
www.thetford.com.au

CHINA

Thetford China
Rm. 1207, Coastal Building
(East Block)
Haide 3rd Road, Nanshan District
Shenzen, 518054
China

T +86 755 8627 1393
F +86 755 8627 1673
E info@thetford.cn
www.thetford.cn