

THETFORD



INSTALLATION MANUAL
SEPARATION TOILET - KIT
SK260 series

EN

Original Installation Manual

Contents

1	Disclaimer.....	2
2	Introduction.....	3
3	Safety.....	3
4	Serviceability.....	5
5	Designation codes, drawings and models.....	5
6	Technical specifications.....	5
7	Before installation.....	7
8	Installation.....	14
9	After installation.....	21
10	Service & questions.....	22

1. Disclaimer

Important information

1. This appliance is not intended for use by persons (including children) with reduced physical, sensory or mental capabilities, or lack of experience and knowledge, unless they have been given supervision or instruction concerning use of the appliance by a person responsible for their safety. Children should be supervised to ensure that they do not play with the appliance.
2. Glowing cigarettes and other burning materials must not be thrown into the toilet.
3. This product must only be supplied at safety extra low voltage (SELV) corresponding to the marking on the appliance.
4. If the supply cord is damaged, it must be replaced by a special cord or assembly available from the manufacturer or its service agent.

2. Introduction

General

This is the installation manual for the Thetford SK260. The manual is meant for qualified installers who will install the toilet system in a caravan or camper.

Read the information and instructions carefully and follow them strictly to install the toilet system safely and correctly.

Also read the warnings in the user manual before testing the toilet system after installation.

Our policy is one of continuous development and improvement. Specifications and illustrations may change subsequent to publication. This document is version 212066/0226-V01 of the installation manual.

Please visit www.thetford.com for the most recent version.

If the appliance is not installed in accordance with national and European regulations, rules and standards, this will void the warranty.

Symbols

The following symbols may be used in this manual:



Warning. Risk of serious injury and/or damage.



Caution. Risk of moderate injury and/or damage.



Attention. Important information.



Note. Additional information.



Video. Additional instruction video available.

3. Safety

General



Risk of serious injury through burning, explosion, clamping, electrocution, suffocation and poisoning or damage to the product.

- Do not modify this appliance, unless the modification is authorised and carried out by the manufacturer or their agent.

- If the appliance is not installed in accordance with national and European law, regulations, rules and standards, this will void the warranty and may lead to criminal prosecution.
- Wear the correct Personal Protective Equipment during the installation. Also follow the applicable safety regulations.
- Only qualified persons are allowed to install the appliance.



The toilet can withstand a maximum load of 120kg. Make sure you do not overload the toilet.

Installation



Risk of serious injury through burning, explosion, clamping, electrocution, suffocation and poisoning or damage to the product.

- To avoid a hazard due to instability of the appliance, it must be fixed in accordance with the instructions.
- Do not drill, cut or use excessive force on the toilet walls, except for screwing predefined positions. This may damage the appliance.
- When installing the appliance, ensure cables are not trapped or damaged.
- Route the cables away from the appliance and heat sources.
- Do not allow cables to hang loose into the compartment.
- Use only genuine and approved parts and materials.

4. Serviceability

The installer of Thetford products is responsible for correct installation according to the Thetford installation instructions to ensure the functionality and serviceability of the product.

In terms of serviceability, this means that a dealer or authorised Thetford service partner must be able to remove and re-install the Thetford product within the time that is allowed according to the Thetford time-list, using standard tools and equipment.

This is to claim any warranty during the warranty period after the purchase date.

In case of any queries on this subject, a Thetford local service representative can be contacted for additional support related to the installation of the product.

5. Designation codes, drawings and models

Each product has a specific identification code, the designation code. The designation code can be found on the data badge. See *Service & questions* for the location of the data badge. The different positions of the code stand for different variations of the toilet.

Please refer to the designation code explanation in the original Cassette Toilet installation manual.

6. Technical specifications

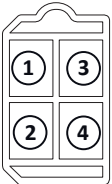
Table 1: Dimensions, weight and capacity

	S260-S (SK260-S)			S260-CS (SK260-CS)		
Dimensions	H	W	D	H	W	D
mm	487	401	603	540	419	607
Empty weight	5.9 kg			6.7 kg		
Capacity urine tank	7.5 L					
Capacity solids bucket	7.1 L					

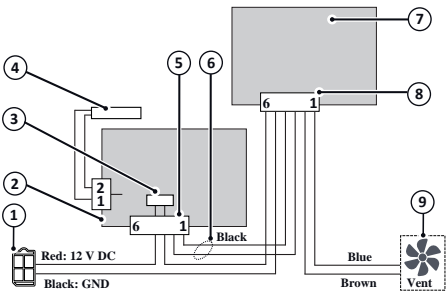
Electrical specifications

Power requirement	12V DC
Fuse	1A on the HUB PCB
DC power connectors	Toilet: TYCO/AMP 180901 or equivalent Supply cable counterpart: TYCO/AMP 180190

Layout of the DC power connectors

	<ol style="list-style-type: none"> 1. + 12 V DC (Red) 2. GND (Black) 3. not used (Purple) 4. not used (Grey)
---	--

Wiring diagram

	<ol style="list-style-type: none"> 1. Power supply plug 2. HUB PCB 3. Fuse, 1 A 4. Reed switch (level indicator) 5. 6-pole connector on HUB PCB 6. Black wiring for level indicator 7. S260 control PCB 8. 6-pole connector on S260 control PCB 9. Optional Ventilator kit
<p>HUB PCB 6-Pole connector layout</p> <ol style="list-style-type: none"> 1. Level indicator (Black) 2. Level indicator (Black) 3. + 12 V DC from fuse (Red) 4. + 12 V DC (Red) 5. N/C 6. N/C 	<p>S260 control PCB 6-Pole connector layout</p> <ol style="list-style-type: none"> 1. Ventilator 0 to 12 V DC (Blue) 2. Ventilator ground (Brown) 3. Level indicator (Black) 4. Level indicator (Black) 5. GND (Black) 6. + 12 V DC from fuse (Red)

7. Before installation

About the SK260 Separation Toilet - Kit

This kit is designed to convert an existing installation of any C263 into the functionality of a S260-S or S260-CS separation toilet.



The C260 series is fixed on the bottom with 4 screws. The C263-S is attached to the rear wall with 3 screws. The C263-CS uses a bracket to hook it to the rear wall. If the situation and installation allows it, then the conversion might be done easier if the toilet can be temporarily uninstalled and put on a bench.

Content of the box

For the single-piece packaged appliance, check the content of the box:

- SK260 Separation Toilet - Kit
- User manual
- Installation manual

Gather the required tools:

- Stanley knife
- Philips screwdriver no.2



If something is missing from the box, please contact your dealer.



SK260 instruction video

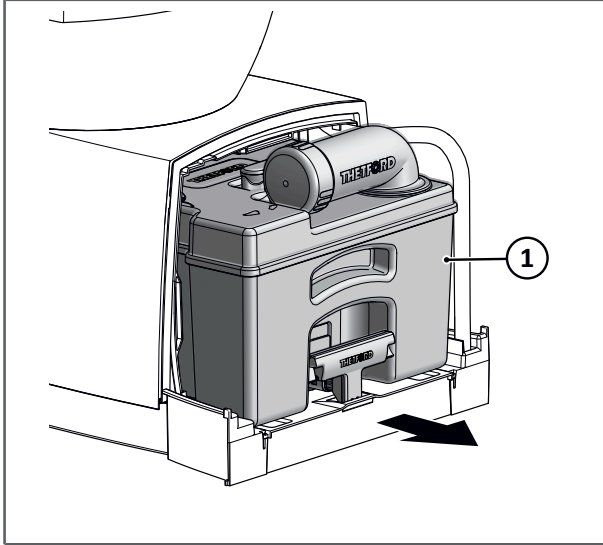


Removal of toilet components



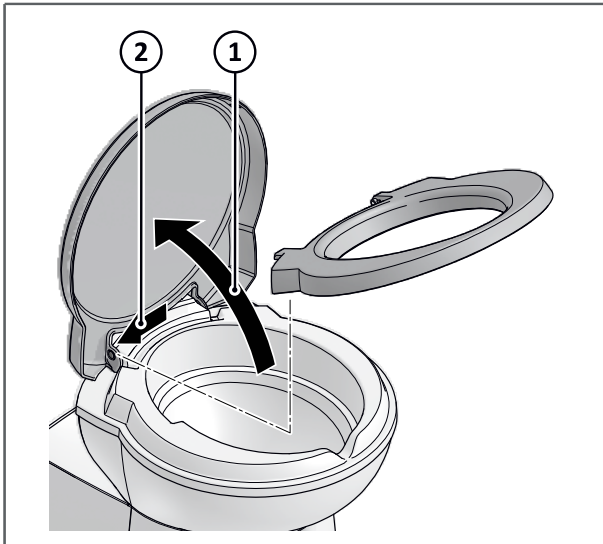
First empty and disconnect the water supply of the RV to avoid any spillage and potential damage.

Waste holding tank



- From the back of the toilet, carefully slide out the existing waste holding tank (1)

Seat and cover

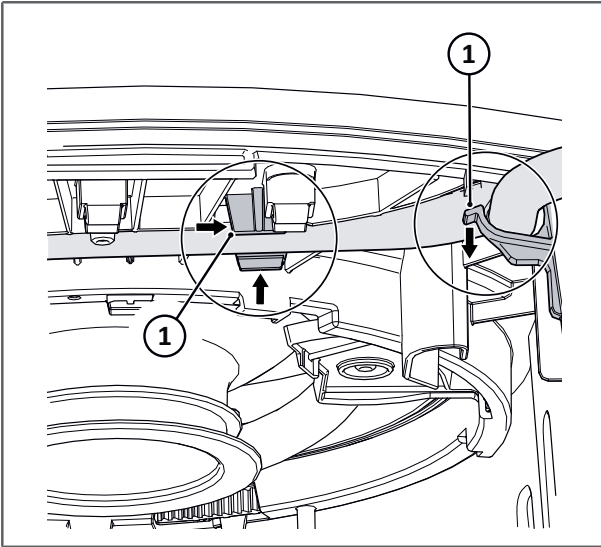


- Open the seat and cover (1) together
- Pull one side of the seat and cover outward and then simultaneously pull it upward (2)



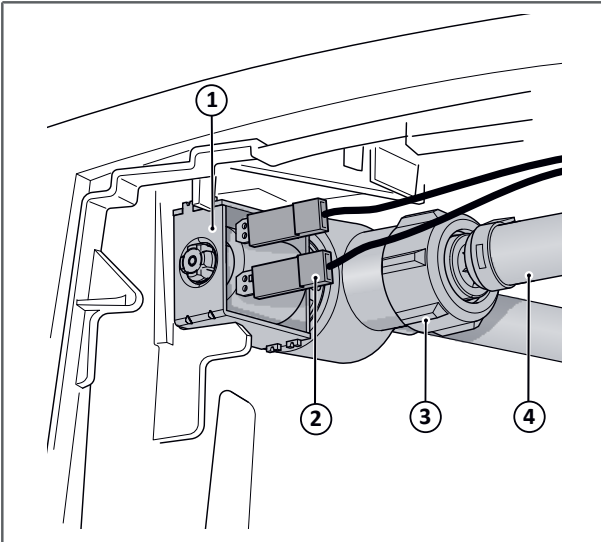
Use of a slotted screwdriver can ease unhooking the hinge. Be careful not to damage anything.

Water hose assembly



- Unscrew the two fastener clips holding the hose-assembly
- Unhook the water hose from the guides (1)

Electric valve

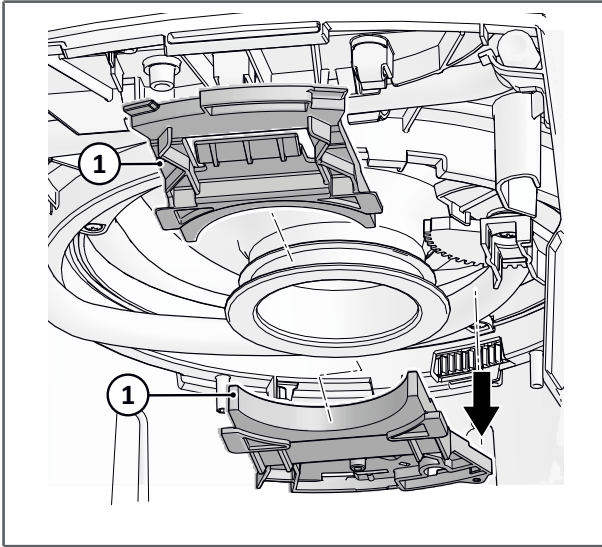


- Slide the electric valve (1) out of the holding space
- Disconnect the two wire leads (2) from the electric valve
- Detach the water supply hose by loosening the nut (3)
- Close the water supply of the vehicle by plugging the hose (4) with the plug and the clamp



Risk of water spillage. Use a cloth or towel to avoid any potential spilling and damage.

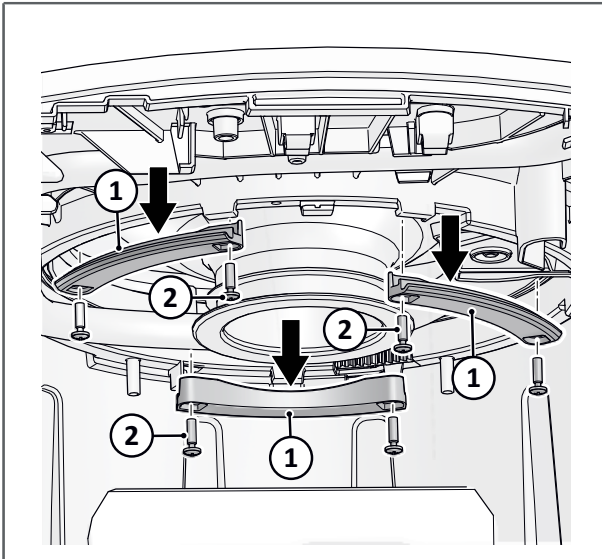
Toilet bowl



- Turn the bowl retainer brackets (1) anti-clockwise and take them out



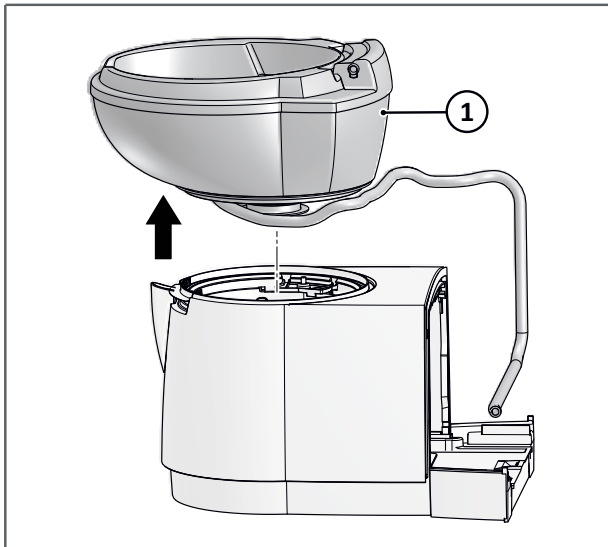
These retainer brackets will not be used after the conversion.



- Remove the 3 retaining brackets (1) by unscrewing the screws (2) and take them out
- Turn the bowl to access all screws if necessary



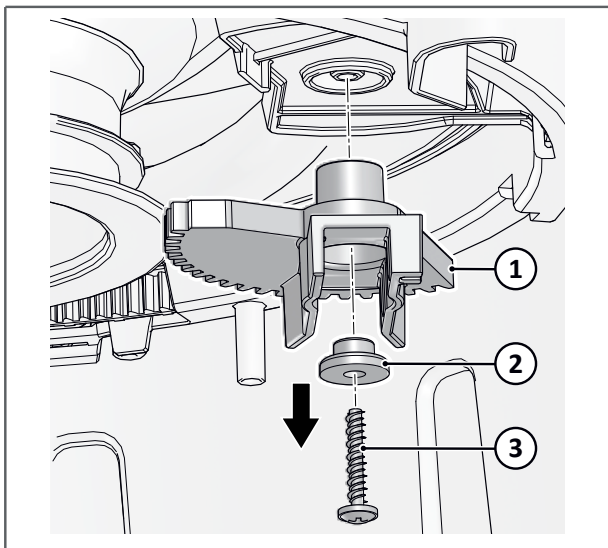
Keep the retaining brackets and the screws for later installation.



Remove the bowl by:

- Lifting the bowl and hose assembly carefully from the base

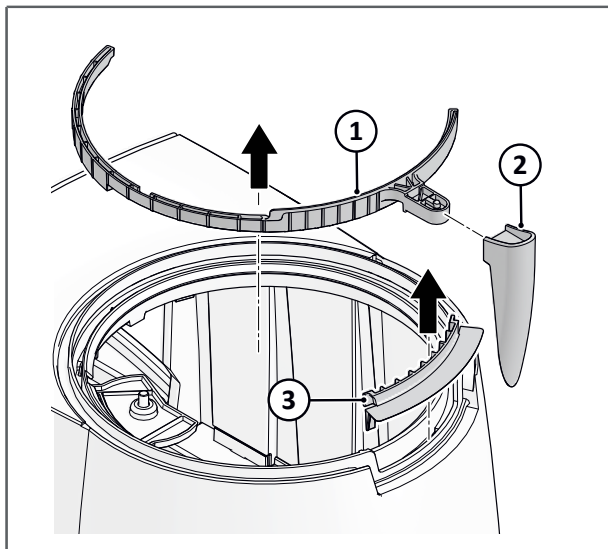
Toilet bowl parts



- Take out the screw and remove the saddle



This can be done either from the bottom, or from the top of the toilet base.

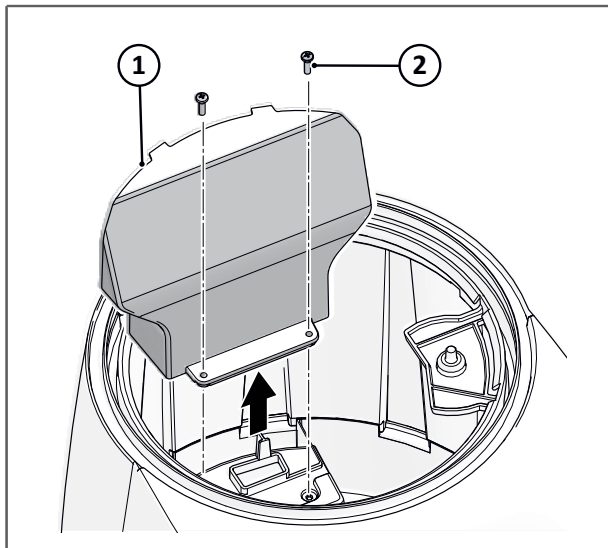


- Remove the cover-plate, blade ring and handle

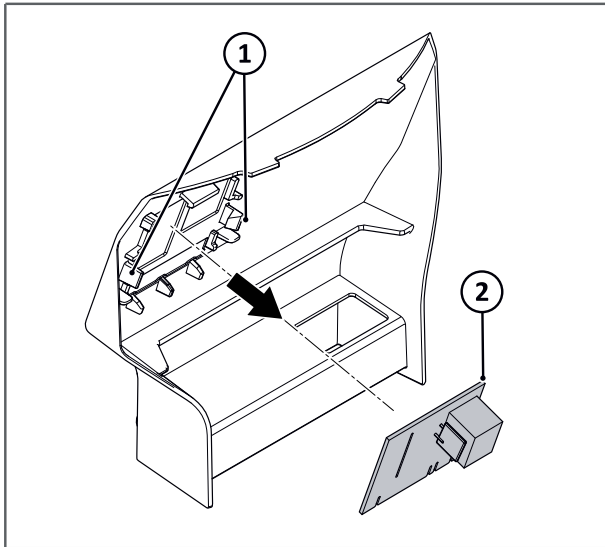


In case there is a shower installation present, it is advised to leave these parts in place.

Reed switch housing



- Remove the two screws (2)
- Take out the reed switch housing (1)



- Remove the reed switch PCB by slightly pushing out the retainers holding the PCB in place. Then lift it out
- Detach the connector from the PCB

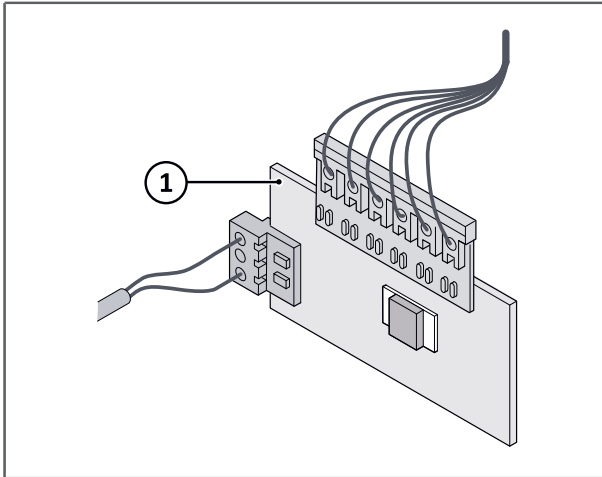
8. Installation



Read the applicable instructions in chapter *Safety* first.

Separation Toilet - Kit components

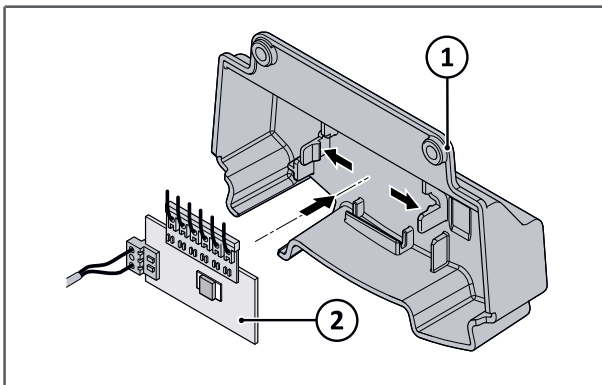
New cover with reed switch PCB and wiring



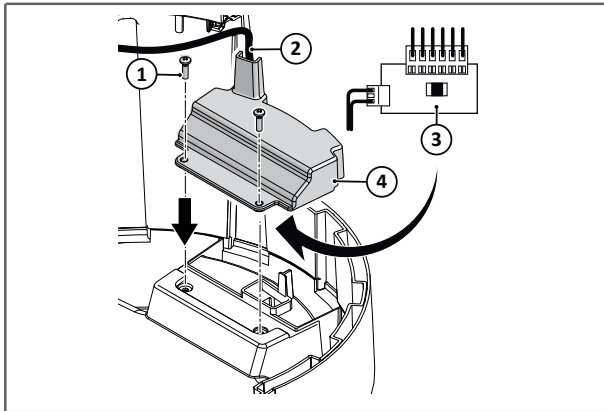
- Take the new reed switch PCB (1) from the kit and plug in the connectors



For details on the circuitry and schematic, please refer to the chapter *Technical specifications*.



- Place the new reed switch PCB (2), with connectors attached, between the supports on the new cover (1)
- Press the PCB in place, starting from the position of the large connector

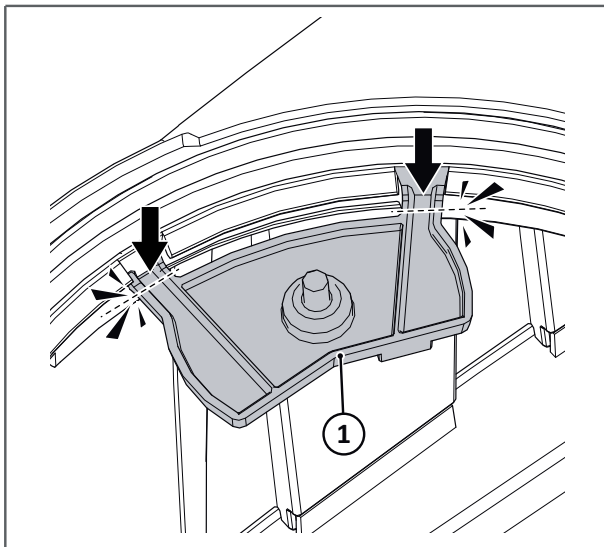


- Place the new cover (4) with the new PCB (3) in the proper position
- Route the black cable through the opening (2)
- Secure the new cover in place with the two screws removed earlier (1)

SK260 used on the S260 toilet

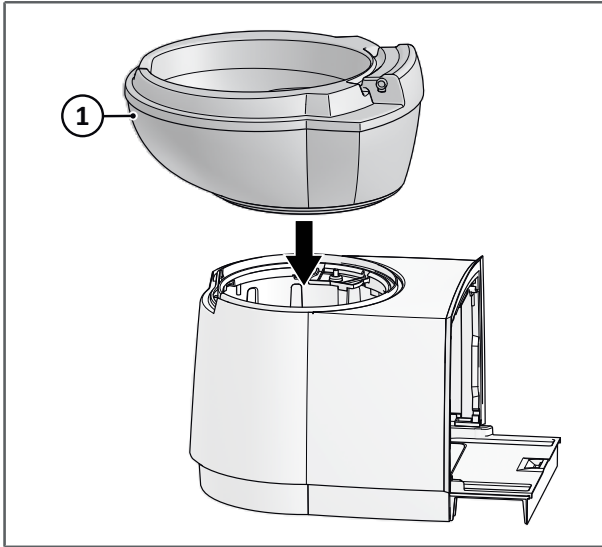


When the SK260 Separation Kit is used on a S260 toilet the saddle retainer must always be cut according to the picture below.



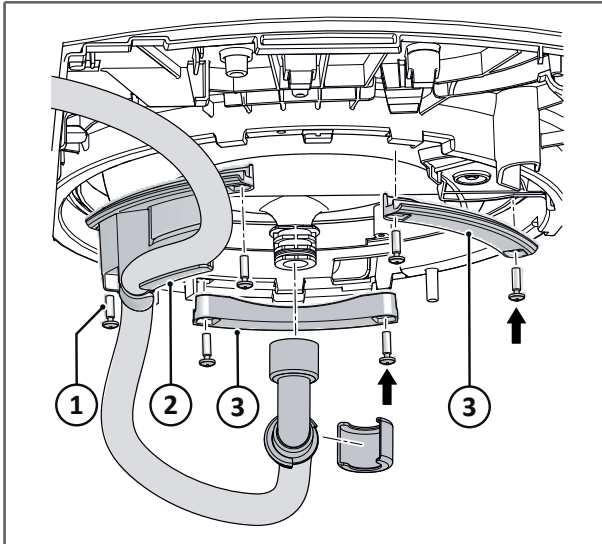
Cutting must be done at the dashed lines indicated by the arrows

New bowl



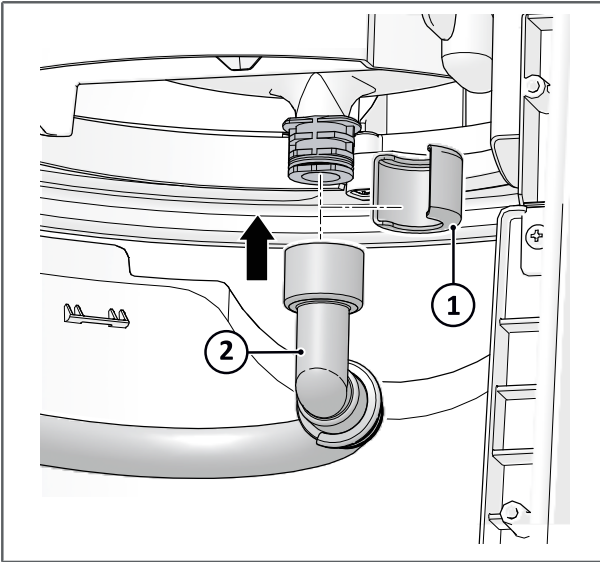
- Take the bowl (1) from the SK260 Separation Toilet Kit and place it on top of the base

Toilet bowl retainer guides



- Use the bowl retainer bracket (2) from the Separation Toilet Kit, which has the urine hose already attached.
- Place the retainer brackets (2, 3) in their original positions and tighten the screws

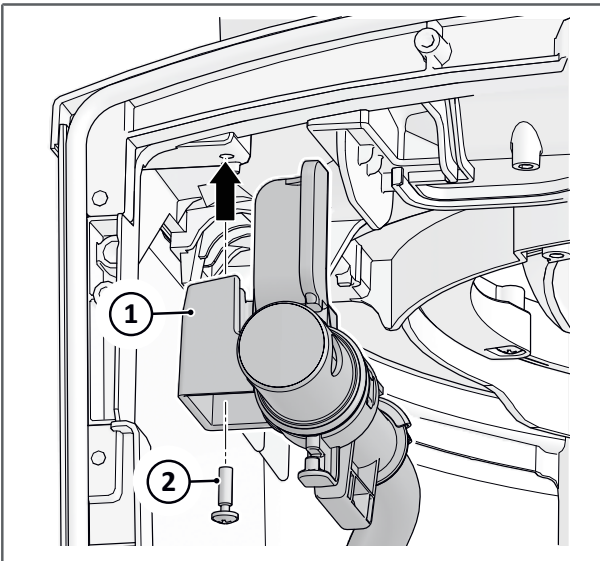
Hose assembly



Connect the urine hose assembly to the bowl.

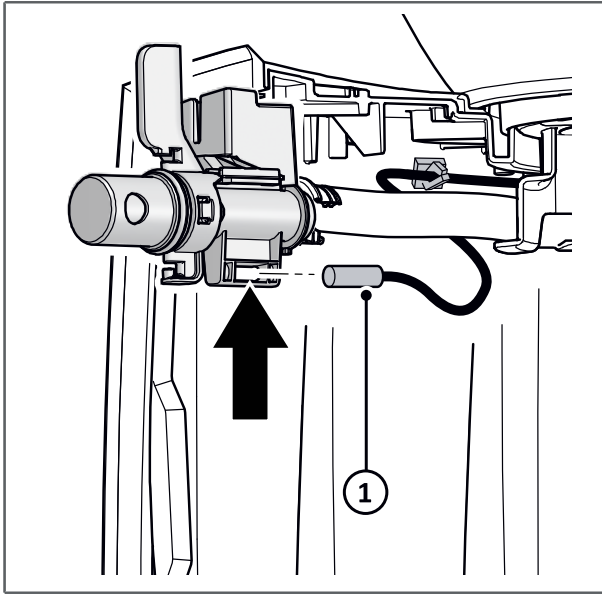
- Remove the mounting clip (1) from the urine hose assembly
- Slide the hose (2) over the bowl connection
- Replace the mount-clip (1) to secure the hose assembly in place

Valve-holder bracket



- Mount the bracket (1) for the valve-mount in the correct position and secure it with the screw (2)

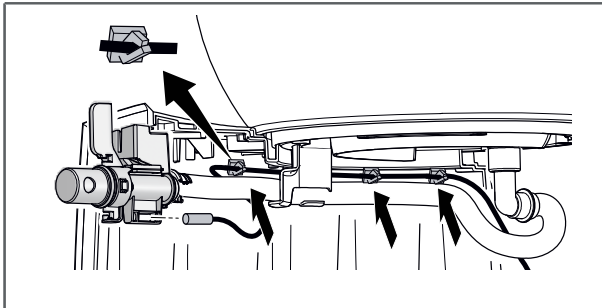
Reed switch



The reed switch is connected at the end of the black cable.

- Press the reed switch in the recess until it clicks into place

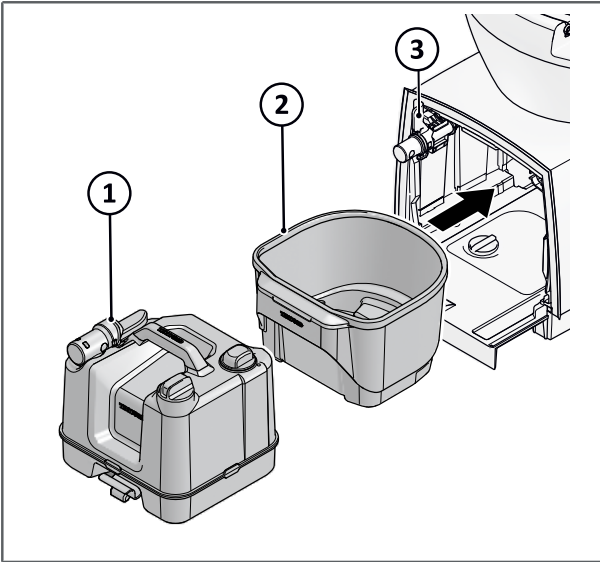
Cable supports



Stick all cable supports as pictured, starting close to the valve.

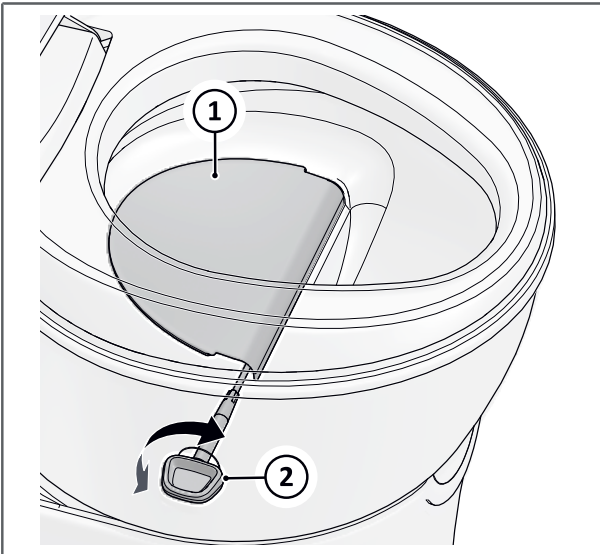
- Remove the protective sheet from the self-adhesive cable support
- Stick the cable support in place and press it firmly for a couple of seconds

Solids bucket and urine tank



- Slide in the solids bucket (2) first
- Slide in the urine tank (1) next
- Turn the urine valve handle (3) clock-wise to the horizontal position, to secure the connection and open the valve

Solids valve control



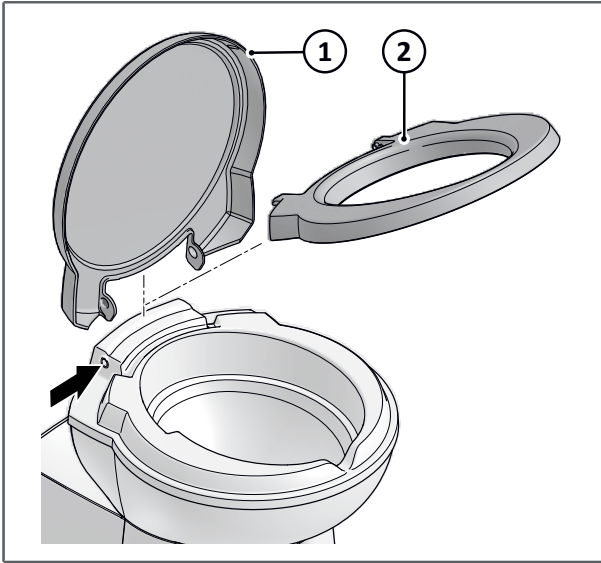
Insert the solid valve control handle in the bowl.

1. Ensure the valve is in the closed position
2. Slide the solid valve control handle into the designated hole, without applying excessive force. Find the full insertion position by rotating the valve handle a few degrees to the left or right



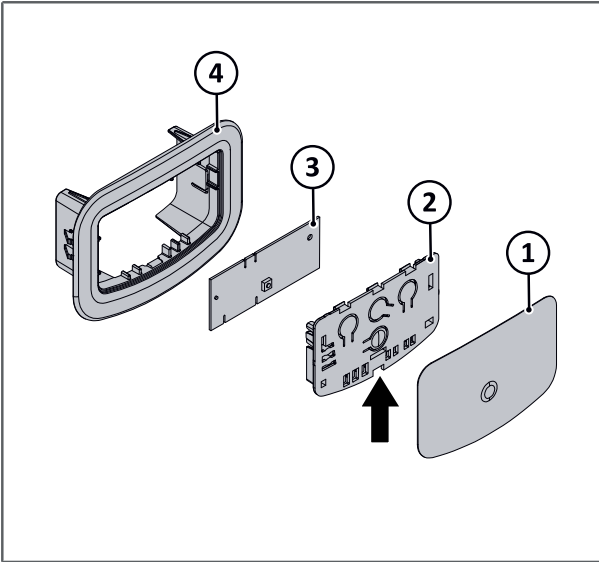
The solid valve control handle can be placed on either side of the bowl. The left hole is covered by a removable cap.

Toilet lid and seat



- Take the seat and cover together (1, 2)
- Mount the combination on the toilet by hooking in one side first
- Pull sideways, close to the hinge-point on the other side, hooking the other side in

Control panel



A new control PCB needs to be installed and a new sticker needs to be attached.

1. Sticker
2. Retainer bracket
3. Control PCB
4. Control panel housing

- Pry the old sticker loose with a Stanley knife and remove it
- With a slotted screwdriver in the opening, move the notch and lift the retainer bracket out
- Detach the connectors
- Take the new control PCB with retainer bracket from the Separation Toilet - Kit and attach the connector
- Place the new control PCB in the housing
- Take the new sticker from the Separation Toilet Kit and carefully attach it in place
- Ensure all connections are properly seated
- Ensure that all fasteners are tightened to the correct torque

9. After installation



Read the applicable instructions in chapter *Safety* first.

Visual and functional checks

Check if:

- All packaging materials have been removed.
- If you have removed the toilet before the conversion:
 - Ensure that the wall seal is positioned correctly.

- Ensure all fasteners are tightened with the correct amount of torque. Read the applicable instruction in chapter *Installation*
Ensure that the wall seal is positioned correctly.
- The "full" state of the level indication works.
- There are no leaks from the toilet bowl to the urine tank.
- The urine-holding tank and solids bucket can be removed and placed back.
- The service door opens and closes properly.
- The service door is waterproof after installation.

10. Service & questions



Read the applicable instructions in chapter *Safety* first.

Service



All servicing must be carried out by an approved competent person.

Questions

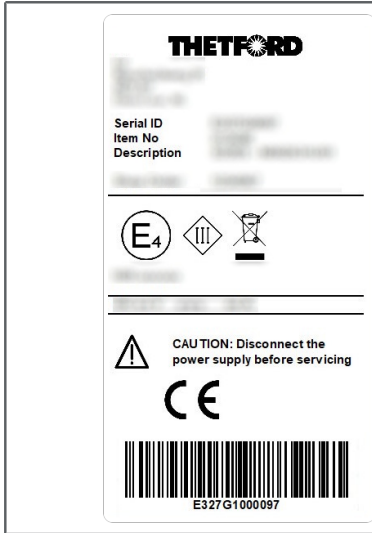
If you have questions about your product, parts, accessories or authorised services visit www.thetford.com.

If you contact an authorised local Service Centre in your country, provide the details of the model and serial number plus the date of purchase. The data badge can be found on the base of the toilet and underneath the urine tank.



Please note that the SK260 Separation Toilet Kit does not contain a new label. The existing label for the C260 series remains on the appliance. The label on the bottom of the urine tank indicates it is from a separation toilet and can be used when contacting your dealer or customer service.

Toilet label



Urine tank label



Warranty

For our warranty clause, please refer to the conditions mentioned on www.thetford.com.

Declaration of Conformity

Thetford hereby declares that this product is in compliance with the essential requirements and other relevant provisions of the applicable Directives and Standards. A copy of the Declaration of Conformity can be found at www.thetford.com.

EUROPEAN HEADQUARTERS

Thetford B.V.
P.O. Box 169
4870 AD Etten-Leur
The Netherlands

T +31 76 504 22 00
F +31 76 504 23 00
E info@thetford.eu

UNITED KINGDOM

Thetford Ltd.
Unit 6
Brookfields Way
Manvers, Rotherham
S63 5DL, England
United Kingdom

T +44 844 997 1960
F +44 844 997 1961
E info@thetford.eu

GERMANY

Thetford GmbH
Schallbruch 14
D-42781 Haan
Deutschland

T +49 2129 94250
F +49 2129 942525
E info@thetford.eu

FRANCE

Thetford S.A.R.L.
Bâtiment Le Louisiane
10, Chaussée Jules César
95520 Osny
France

T +33 1 30 37 58 23
F not available
E info@thetford.eu

ITALY

Thetford Italy c/o Tecma s.r.l.
Via Flaminia
Loc. Castel delle Formiche
05030 Otricoli (TR)
Italia

T +39 0744 709071
F +39 0744 719833
E info@thetford.eu

SPAIN AND PORTUGAL

Mercè Grau Solà
Agente para España y Portugal
C/ Castellet, 36 bxs 2a
08800-Vilanova i la Geltrú
Barcelona
España

T +34 938 154 389
F not available
E info@thetford.eu

SCANDINAVIA

Thetford Scandinavia
Bangatan 6
521 43 Falköping
Sverige

T +46 31 336 35 80
F not available
E info@thetford.eu

AUSTRALIA

Thetford Australia Pty. Ltd.
130-132 Freight Drive
Somerton VIC 3062
Australia

T +61 3 9358 0700
F not available
E info@thetford.com.au
www.thetford.com.au

CHINA

Thetford China
Rm. 1207, Coastal Building
(East Block)
Haide 3rd Road, Nanshan District
Shenzen, 518054
China

T +86 755 8627 1393
F +86 755 8627 1673
E info@thetford.cn
www.thetford.cn