



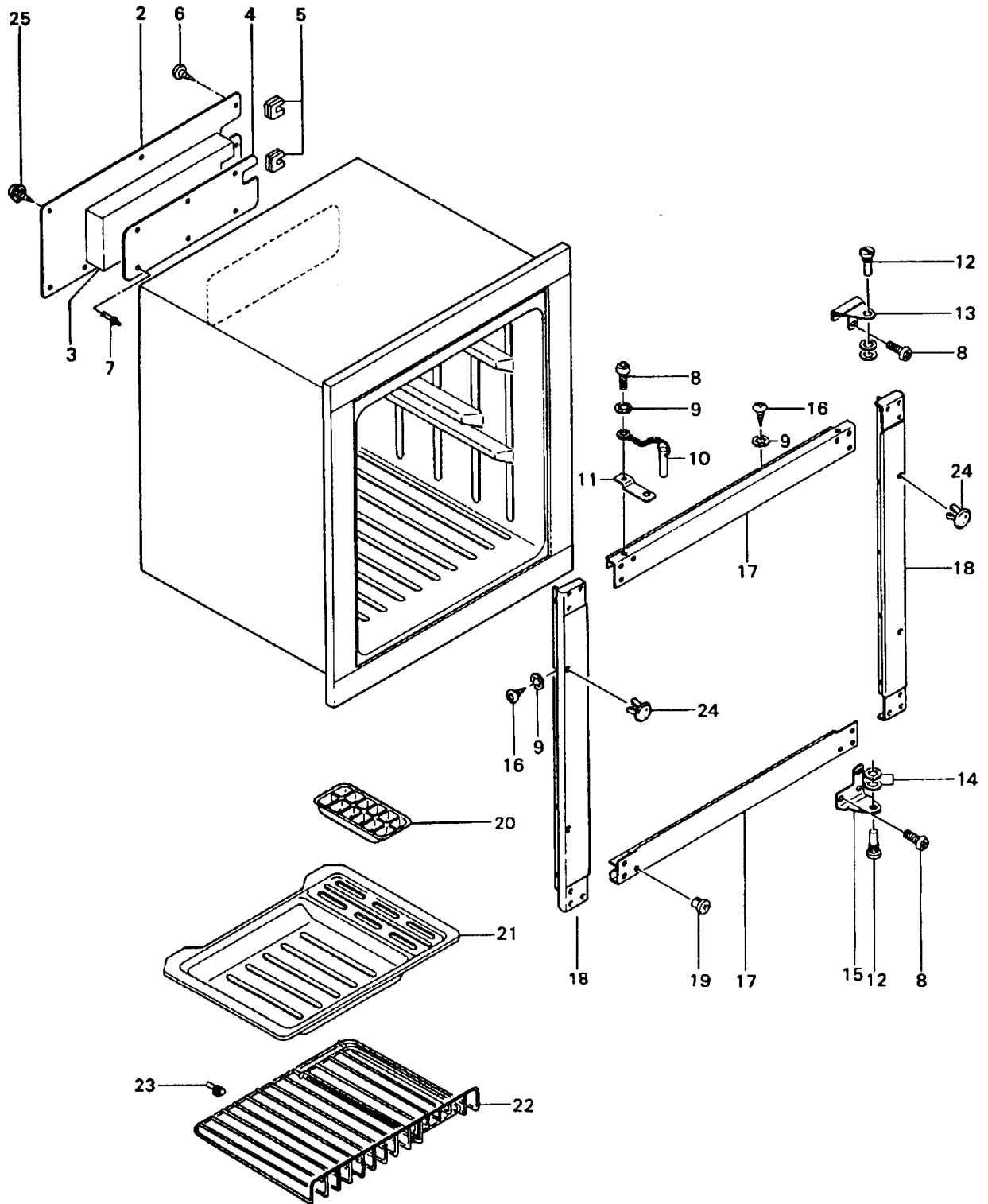
# PARTS LIST

A large, stylized black outline of the letter 'C' is centered on the page. A horizontal grey rectangular bar with a black border is positioned across the middle of the 'C', containing the text "DC254A".

**DC254A**

DC254A PARTS LIST  
NORCOLD 10/30/2002

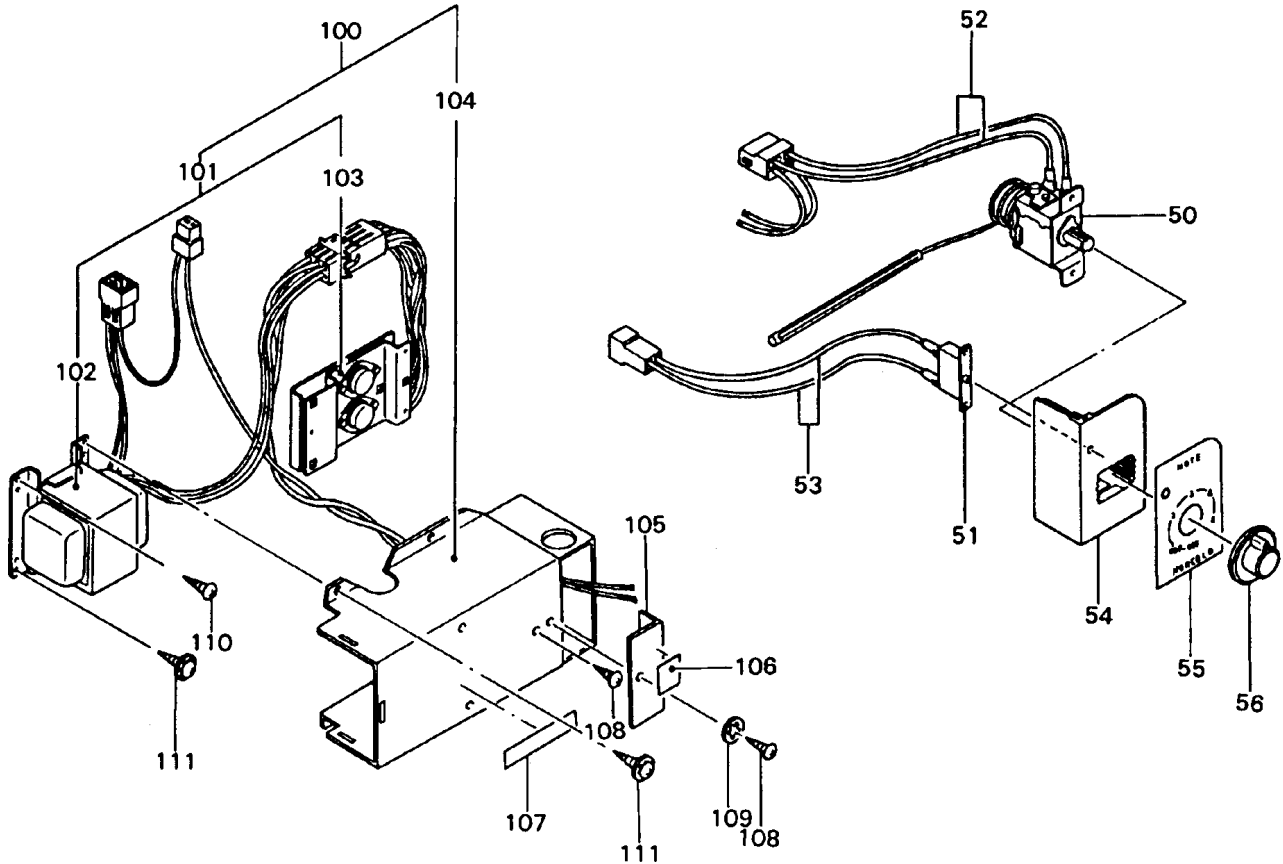
# CABINET ASSEMBLY - DC254A



## CABINET ASSEMBLY - DC254A

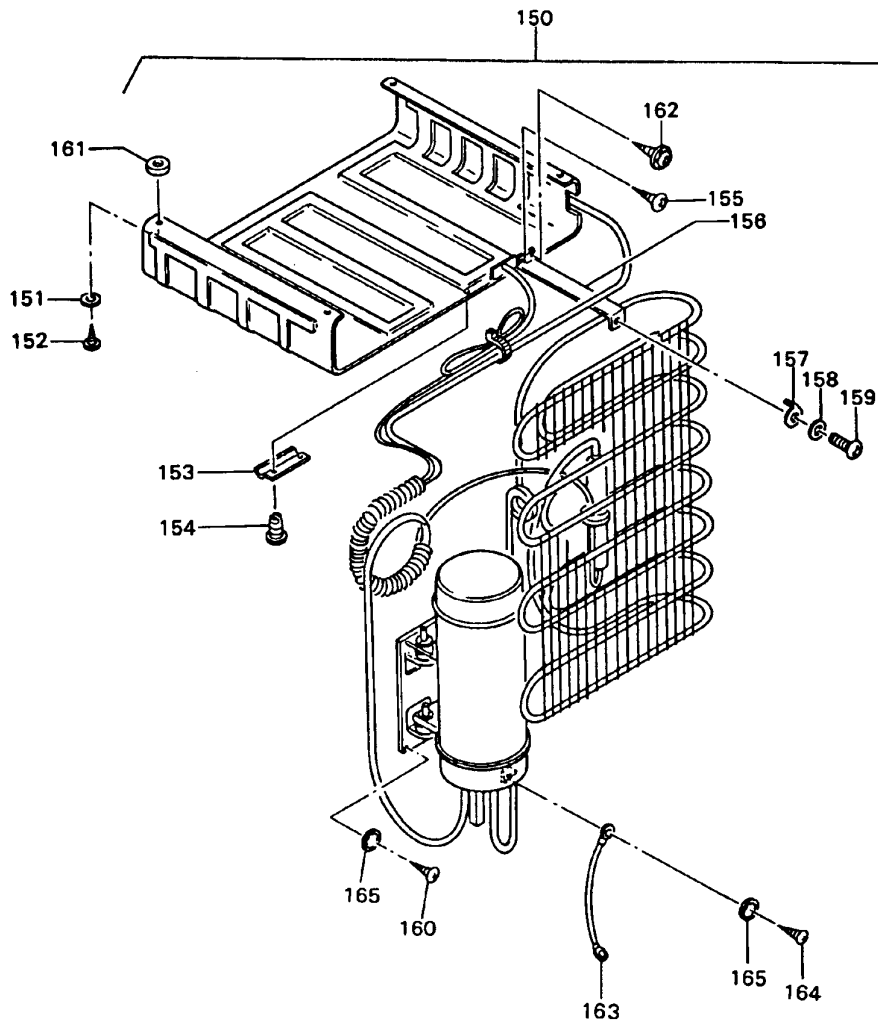
NO.	PART #	DESCRIPTION	DC254A
2	304300220	BLIND PLATE	X
3	439003700	HEAT INSULATOR-AT BLIND PLATE	X
4	430301900	PLATE-"I"/CABINET	X
5	416004200	BUSHING-FOR BLIND PLATE	X
6	80830441210	SCREW-TRUSS TAPPING/M4x12	X
7	645100510	FASTENER-PLASTIC RIVET	X
8	80500401040	SCREW-M4x10	X
9	83400400010	WASHER-TEETH LOCK	X
10	160201440	TRAVEL PIN ASSY (USE 160207600)	X
	160207600	TRAVEL PIN ASSY-0.75"	X
	160207610	TRAVEL PIN ASSY-WHITE	X
11	322118720	SUPPORT-TRAVEL PIN	X
12	505502320	HINGE PIN (USE 61114600)	X
13	322118820	HINGE-RH TOP	X
14	503001900	WASHER	X
15	322118920	HINGE-RH BOTTOM	X
16	80830441210	SCREW-TRUSS TAPPING/M4x12	X
17	323005810	CABINET FRAME-BLACK/TOP/BOTTOM	X
	323005830	CABINET FRAME-WHITE/TOP/BOTTOM (USE 323005810)	X
18	323005910	CABINET FRAME-BLACK/SIDES	X
	323005930	CABINET FRAME-WHITE/SIDES (USE 323005910)	X
19	8080043103	SCREW-TAPPING/HINGE HOLE/BLACK	X
	80800431020	SCREW-TAPPING/HINGE HOLE/WHITE	X
20	160203000	ICE CUBE TRAY	X
21	433001401	DRAINAGE PAN	X
22	523002600	SHELF	X
23	645101700	HOLDER-SHELF/REAR	X
24	422101510	CAP-BLACK/INSTALLATION HOLES	X
	422101520	CAP-WHITE/INSTALLATION HOLES	X
25	8073044121	SCREW-TAPPING/WITH TEETH LOCK WASHER	X

# THERMOSTAT & POWER SUPPLY - DC254A



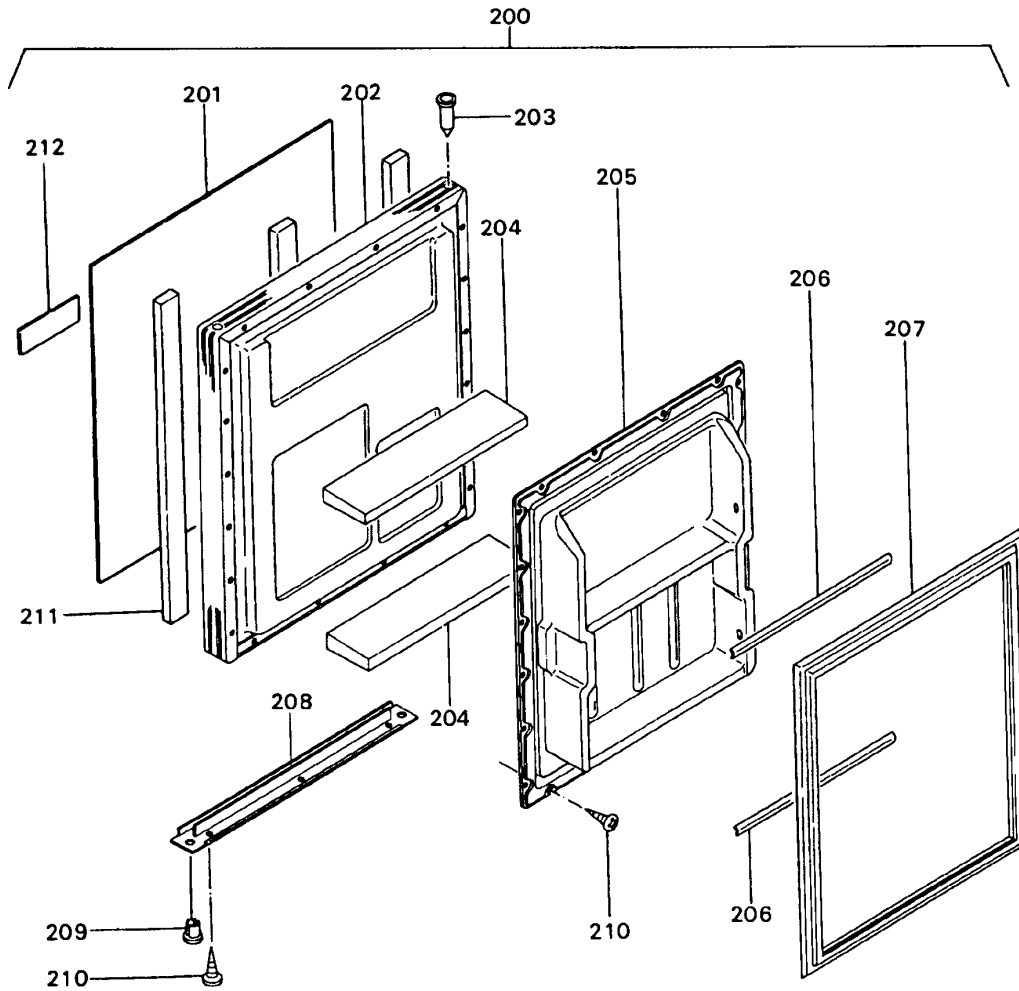
NO.	PART #	DESCRIPTION	DC254A
50	603200921	THERMOSTAT (USE 603200910)	X
	603200910	THERMOSTAT	X
51	603604000	CIRCUIT BREAKER	X
52	191214900	CORD ASSY (THERMOSTAT TO POWER SUPPLY)	X
53	191212910	CORD ASSY (CIRCUIT BREAKER TO POWER SUPPLY)	X
54	422501700	COVER-THERMOSTAT	X
55	545020730	MARK-THERMOSTAT HOLDER	X
56	160203200	KNOB-THERMOSTAT/BLACK	X
100	16011395008	KIT-POWER SUPPLY	X
	160102990	POWER SUPPLY (USE 16011395008)	X
101	163007430	OSCILLATOR & TRANSFORMER (USE 16000395008)	X
102	196008720	TRANSFORMER ASSY-DC340/DC351 (USE 16011395008)	X
103	163008510	OSCILLATOR ONLY (USE 16011395008)	X
104	163204100	CASE ASSY	X
105	322119100	COVER-DC WIRES	X
106	546017100	CAUTION PLATE (ON DC COVER)	X
107	546028011	CAUTION PLATE (ON POWER SUPPLY)	X
108	80840430810	SCREW-TRUSS TAPPING/M4x8	X
109	83400400010	WASHER-TEETH LOCK	X
110	80830441210	SCREW-TRUSS TAPPING/M4x12	X
111	8073044121	SCREW-TAPPING/WITH TEETH LOCK WASHER	X

# COOLING UNIT AREA - DC254A



NO.	PART #	DESCRIPTION	DC254A
150	161005010	COOLING UNIT	X
151	403001700	WASHER-"I"	X
152	80800441620	SCREW-TAPPING/M4x16	X
153	320200001	HOLDER-THERMOSTAT BULB	X
154	8080043082	SCREW-TAPPING	X
155	500800400	SCREW-TAPPING	X
156	322132800	HOLDER-CONDENSER	X
157	322005310	HOLDER-CONDENSER WASHER	X
158	8320042003	WASHER-SPRING LOCK	X
159	8080043163	SCREW-TAPPING	X
160	80830431210	SCREW-TAPPING/M4x12	X
161	422000700	COLLAR-"I"/AT EVAPORATOR	X
162	8073044121	SCREW-TAPPING/WITH TEETH LOCK WASHER	X
163	192116604	CORD WITH TERMINAL-GROUND CORD	X
164	80840430810	SCREW-TRUSS TAPPING/M4x8	X
165	83400400010	WASHER-TEETH LOCK	X

# DOOR ASSEMBLY - DC254A



NO.	PART #	DESCRIPTION	DC254A
200	160017600	DOOR ASSY-BLACK (USE 160031620)	X
	160017640	DOOR ASSY-WHITE (USE 160031620)	X
201	302308310	DOOR PANEL-BLACK	X
	302303260	DOOR PANEL-WHITE	X
202	160907510	DOOR FRAME ASSY-BLACK/3 SIDES (USE 160031620)	X
	160907530	DOOR FRAME ASSY-WHITE/3 SIDES (USE 160031620)	X
203	404004700	HINGE BUSHING-POINTED	X
204	439003610	CUSHION-DOOR SHELF	X
205	433100510	DOOR LINER	X
206	242504000	BAR-BOTTLE HOLDER	X
207	414801200	DOOR GASKET	X
208	427600510	DOOR FRAME-BOTTOM/BLACK	X
	427600530	DOOR FRAME-BOTTOM/WHITE	X
209	404001000	HINGE BUSHING	X
210	80830441210	SCREW-TRUSS TAPPING/M4x12	X
211	412006610	CUSHION-DOOR ASSY/VERTICAL/FOAM	X
212	545008203	MARK-NORCOLD/BLACK	X