



PARTS LIST

DC440 SERIES

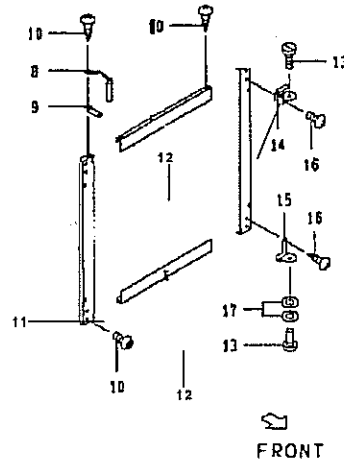
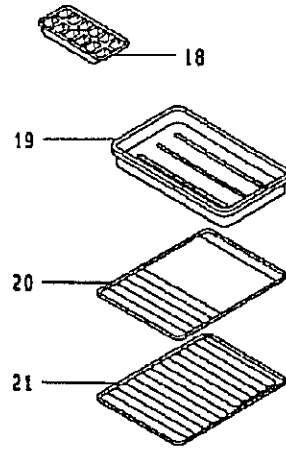
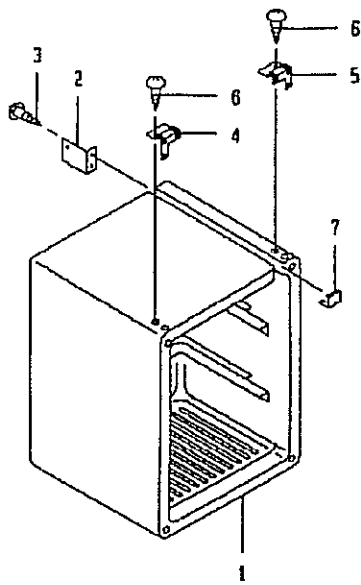
DC440

DC440K

DC440V

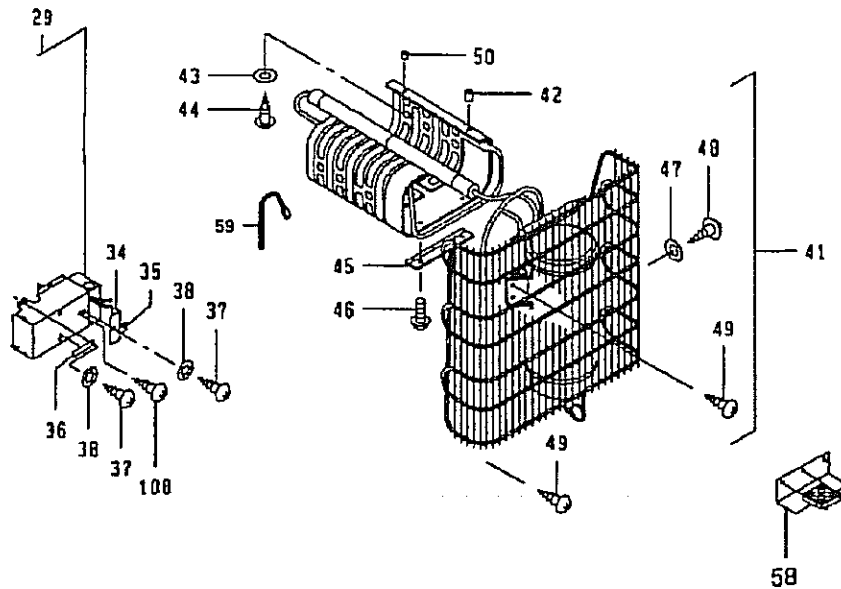
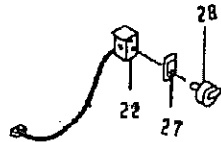
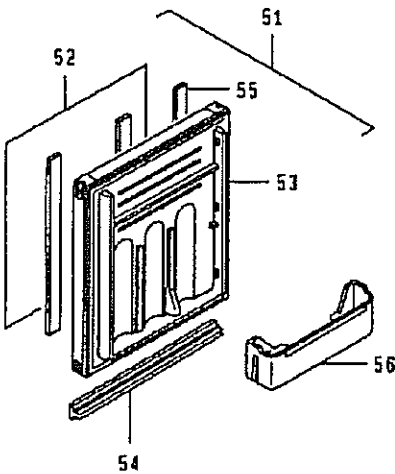
PART NO. 619740
NORCOLD 5/15/2012

FINAL ASSEMBLY - DC440/DC400K/DC440V



FRONT

FRONT



FINAL ASSEMBLY - DC440/DC400K/DC440V

NO.	PART #	DESCRIPTION	DC440	DC440K	DC440V
1	160010160	CABINET ASSEMBLY	*	*	*
2	322117100	SUPPORT-"L"	*	*	*
3	8083044121	SCREW-TRUSS TAPPING/4 X 12	*	*	*
4	322031000	SUPPORT-TOP LH HINGE NUT PLATE	*	*	*
5	322031100	SUPPORT-TOP RH HINGE NUT PLATE	*	*	*
6	8083043121	SCREW-TAPPING	*	*	*
	501042700	SCREW	*	*	*
7	404005000	BUSHING-"I"/TOP RH CABINET	*	*	*
8	160207600	TRAVEL PIN ASSY-0.75"	*	*	*
	160207630	TRAVEL PIN ASSY-1.73"	*	*	*
9	322056100	SUPPORT-TRAVEL PIN (ENDS FEB. 2000-MJN)	*	*	*
	322056110	SUPPORT-TRAVEL PIN (BEGINS MARCH 2000-MKN)	*	*	*
10	80830430830	SCREW-TAPPING	*	*	*
11	323006530	CABINET FRAME-BLACK/SIDE	*	*	*
12	323006430	CABINET FRAME-BLACK/TOP/BOTTOM	*	*	*
13	505502330	HINGE PIN-0.625" (ENDS FEB. 2000-MJN)	*	*	*
	505502340	HINGE PIN-1.5" (BEGINS MARCH 2000-MKN)	*	*	*
14	322055900	HINGE-TOP RIGHT/BOTTOM LEFT (ENDS FEB. 2000-MJN)	*	*	*
	322055910	HINGE-TOP RIGHT/BOTTOM LEFT (BEGINS MARCH 2000-MKN) (USE WITH HINGE PIN 505502340)	*	*	*
15	322056000	HINGE-BOTTOM RIGHT/TOP LEFT (ENDS FEB. 2000)	*	*	*
	322056010	HINGE-BOTTOM RIGHT/TOP LEFT (BEGINS MARCH 2000) (USE WITH HINGE PIN 505502340)	*	*	*
16	8083043125	SCREW-TAPPING	*	*	*
17	503001900	WASHER	*	*	*
18	160203000	ICE CUBE TRAY	*	*	*
19	433000000	DRAINAGE PAN	*	*	*
20	523001500	SHELF-FOR DRAINAGE PAN	*	*	*
21	523001610	SHELF-TURNOVER	*	*	*
22	160114010	THERMOSTAT	*	*	*
27	545074610	MARK-THERMOSTAT	*	*	*
28	160206700	KNOB-THERMOSTAT	*	*	*
29	160113920	POWER SUPPLY	*		
	160114910	POWER SUPPLY (ALTERNATE PART # 160113920)		*	
	160114920	POWER SUPPLY (ALTERNATE PART # 160113920)			*

(Continued on Page 4)

NO.	PART #	DESCRIPTION	DC440	DC440K	DC440V
34	322119100	COVER-DC WIRES	*	*	*
35	546017120	CAUTION PLATE	*	*	*
36	546028011	CAUTION PLATE	*	*	*
37	8084043081	SCREW-TRUSS TAPPING/4 X 8	*	*	*
38	83400400010	WASHER-TEETH LOCK	*	*	*
41	161010600	COOLING UNIT	*	*	*
42	422300800	HOLDER-"I"/EVAPORATOR	*	*	*
43	403001700	WASHER-"I"	*	*	*
44	80800441620	SCREW-TAPPING	*	*	*
45	422305000	HOLDER-THERMISTER/AT EVAPORATOR	*	*	*
46	8000040064	SCREW-TRUSS/4 X 6	*	*	*
47	322005310	HOLDER-CONDENSER WASHER	*	*	*
48	80800441620	SCREW-TAPPING	*	*	*
49	8083044121	SCREW-TRUSS TAPPING/4 X 12	*	*	*
50	422000200	COLLAR-"I"/EVAPORATOR	*	*	*
51	160026320	DOOR ASSY	*	*	*
52	302311420	DOOR PANEL-BLACK	*	*	*
53	160923310	DOOR FRAME ASSY-FOAMED LINER	*	*	*
54	427602710	DOOR FRAME-BOTTOM/GRAY (USE 427602711)	*	*	*
	427602711	DOOR FRAME-BOTTOM/GRAY	*	*	*
55	412006660	CUSHION-DOOR ASSY/VERTICAL/FOAM	*	*	*
56	422508700	DOOR POCKET-DOOR SHELF BIN	*	*	*
57	422508600	PARTITION-DOOR POCKET	*	*	*
58	160924950	FAN ASSY (USE 160928900)	*		*
	160928900	FAN ONLY-50 CYCLE/40 WATT	*		*
NS	601058030	COUPLER ASSY-FAN/EXTENSION	*		*
59	605505400	THERMISTER-EVAPORATOR	*	*	*
108	8084043081	SCREW-TRUSS TAPPING/4 X 8	*	*	*
NS	16011620000	WARNING DEVICE-AMBIENT TEMPERATURE	*	*	*

PART IS NO LONGER AVAILABLE

NS = NOT SHOWN