

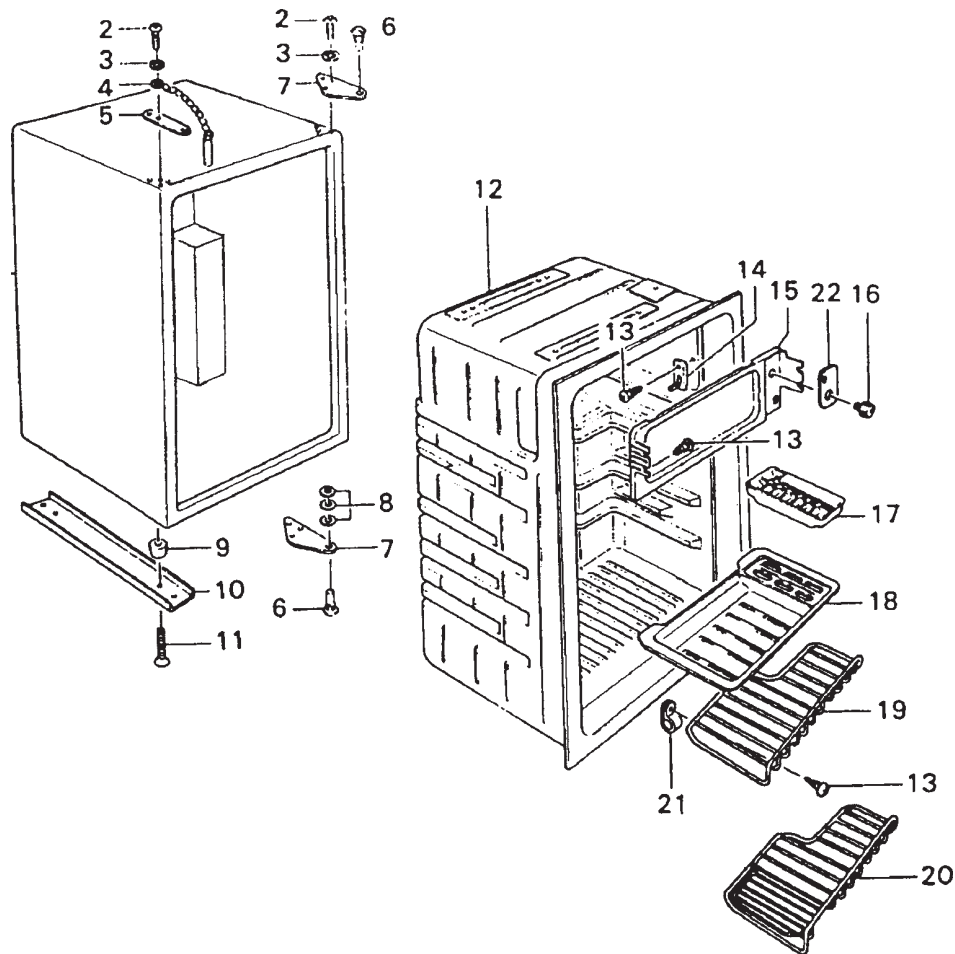


PARTS LIST

DE400D

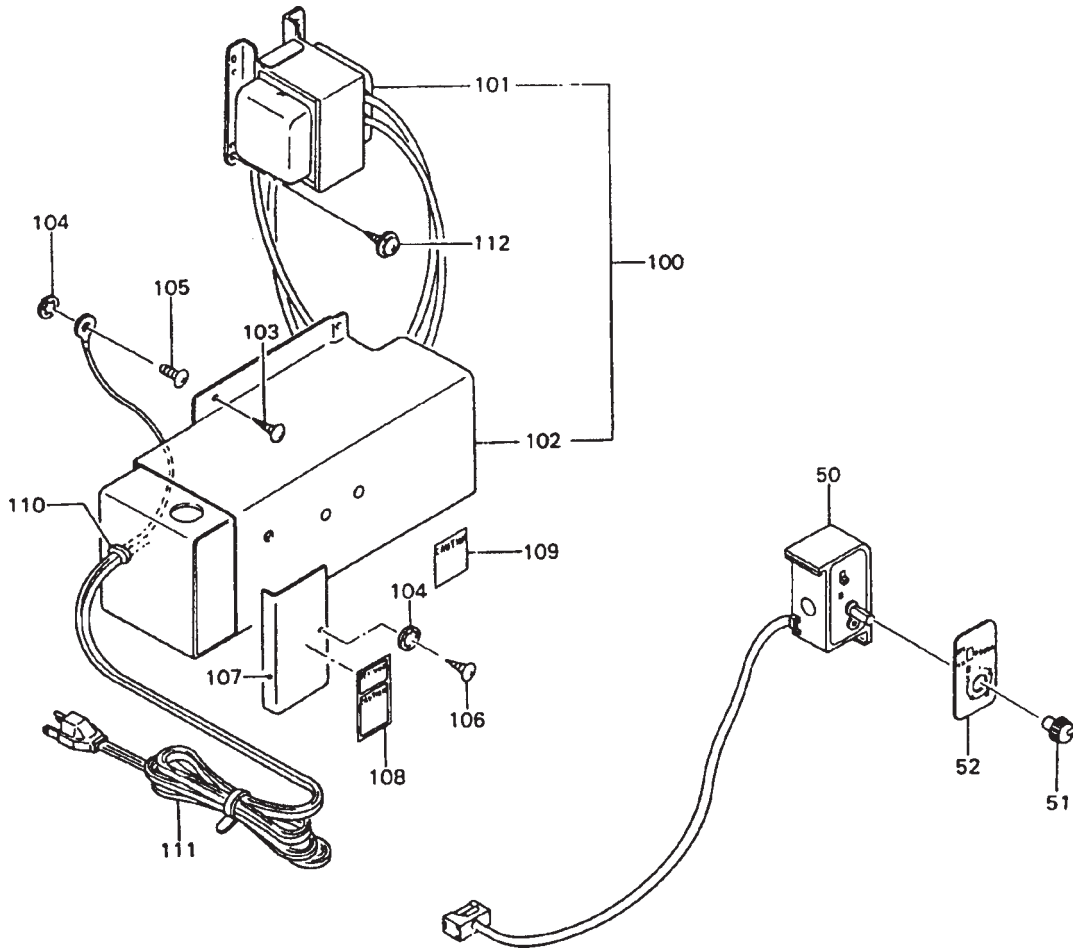
DE400D PARTS LIST
NORCOLD 11/09/2011

CABINET ASSEMBLY - DE400D



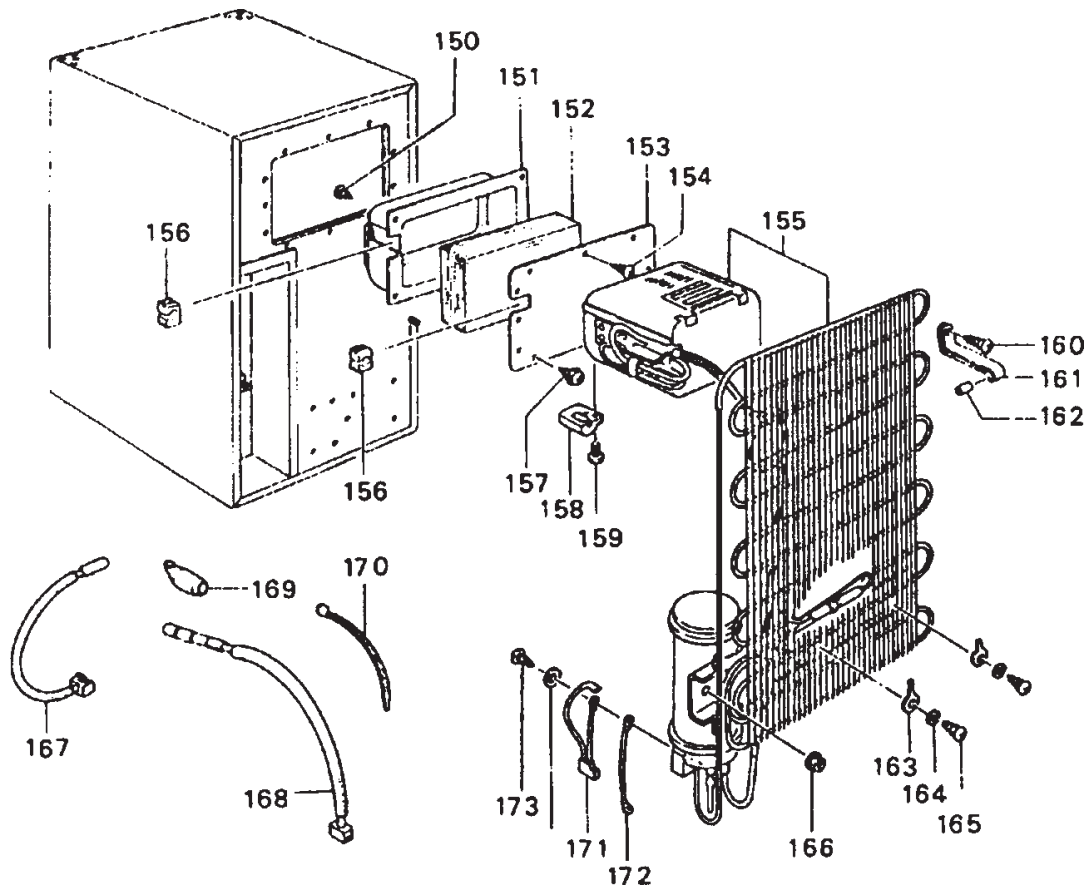
NO.	PART #	DESCRIPTION	DE400D
2	800050124	SCREW	X
3	83400500010	WASHER-TEETH LOCK	X
4	160201440	TRAVEL PIN ASSY (USE 160207600)	X
	160207600	TRAVEL PIN ASSY-0.75"	X
5	304100230	PLATE-HOLDS TRAVEL PIN	X
6	505502320	HINGE PIN (USE 61114600)	X
7	304105240	PLATE-HINGE	X
8	503001900	WASHER	X
9	412000800	CUSHION-RUBBER LEG	X
10	322301900	SUPPORT-BOTTOM RAIL	X
11	8010060401	SCREW	X
12	160905600	INNER CASE ASSY	X
13	80830441220	SCREW-TAPPING/M4x12	X
14	160904800	HINGE-EVAPORATOR DOOR	X
15	422600120	EVAPORATOR FRAME	X
16	160206700	KNOB-THERMOSTAT/61729422	X
17	160203000	ICE CUBE TRAY	X
18	433000500	DRAINAGE PAN	X
19	523001200	SHELF-UPPER	X
20	523002700	SHELF-LOWER	X
21	645103950	HOLDER-SHELF	X
22	545020770	MARK-EVAPORATOR FRAME	X

THERMOSTAT & POWER SUPPLY - DE400D



NO.	PART #	DESCRIPTION	DE400D
50	160107200	THERMOSTAT	X
51	160206700	KNOB-THERMOSTAT	X
52	545020740	MARK-THERMOSTAT COVER	X
100	16011396007	KIT-POWER SUPPLY	X
	160107100	POWER SUPPLY (USE 16011396007)	X
101	196013100	TRANSFORMER ASSY (USE 16011396007)	X
102	163007800	OSCILLATOR ONLY (USE 16011396007)	X
103	80830441210	SCREW-TRUSS TAPPING/M4x12	X
104	834004000	WASHER-TEETH LOCK	X
105	8000040121	SCREW	X
106	80840430810	SCREW-TRUSS TAPPING/M4x8	X
107	322119100	COVER-DC WIRES	X
108	546017100	CAUTION PLATE (ON DC COVER)	X
109	546028000	CAUTION PLATE	X
110	601600010	GROMMET-STRAIN RELIEF	X
111	191203410	CORD ASSY-AC	X
112	8073044121	SCREW-TAPPING/WITH TEETH LOCK WASHER	X

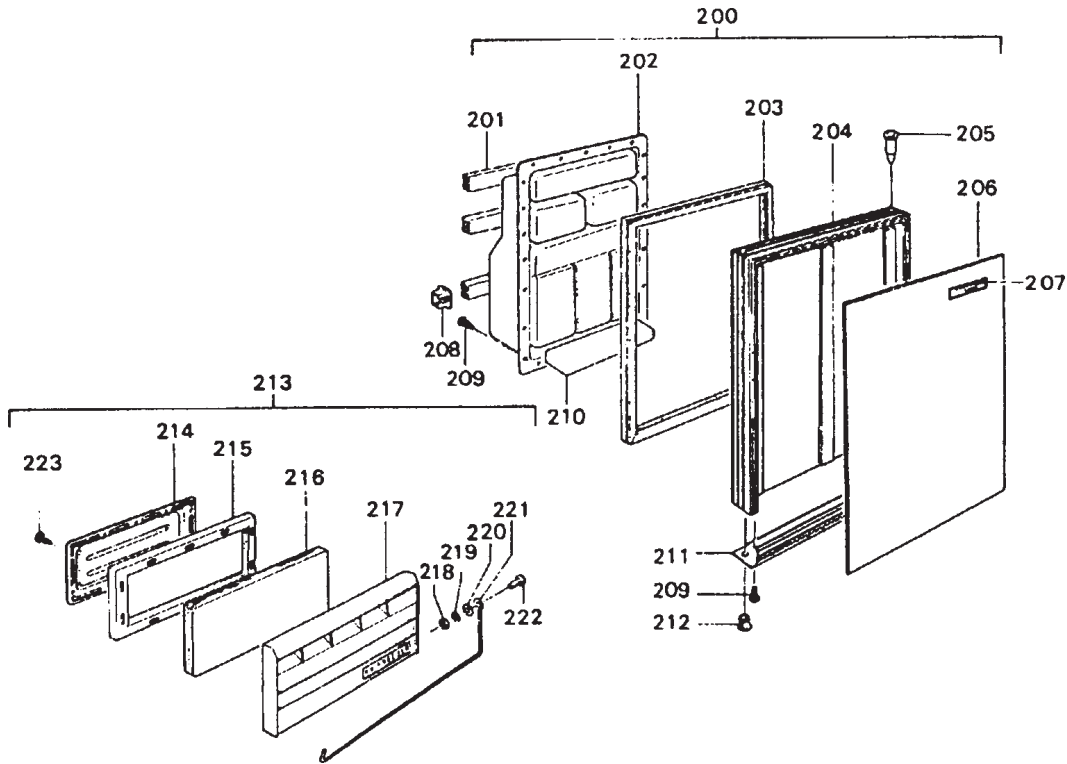
COOLING UNIT AREA - DE400D



NO.	PART #	DESCRIPTION	DE400D
150	80840430810	SCREW-TRUSS TAPPING/M 4x8	X
151	433000800	BLIND COVER	X
152	439004000	HEAT INSULATOR	X
153	304300310	BLIND PLATE	X
154	80830441210	SCREW-TRUSS TAPPING/M 4x12	X
155	161005510	COOLING UNIT	X
156	416004200	BUSHING-FOR BLIND PLATE	X
157	8073044121	SCREW-TAPPING/WITH TEETH LOCK WASHER	X
158	422305000	HOLDER-THERMISTER/AT EVAPORATOR	X
159	8080043082	SCREW-TAPPING	X
160	8073044121	SCREW-TAPPING/WITH TEETH LOCK WASHER	X
161	320101300	HOLDER-CONDENSER	X
162	412000700	CUSHION-CONDENSER HOLDER	X
163	322005310	HOLDER-CONDENSER WASHER	X
164	8320042003	WASHER-SPRING LOCK	X
165	8080043163	SCREW-TAPPING	X
166	502000510	NUT-FRANGE	X
167	605503202	THERMISTER-EVAPORATOR	X
168	605503300	THERMISTER-WIRE CONDENSER (USE 605503301)	X
169	410110200	CAP-THERMISTER	X
170	645105900	FASTENER	X
171	190228610	COUPLER ASSY	X
172	192116604	CORD WITH TERMINAL-GROUND CORD	X
173	80840430810	SCREW-TRUSS TAPPING/M 4x8	X

PART IS NO LONGER AVAILABLE

DOOR ASSEMBLY - DE400D



NO.	PART #	DESCRIPTION	DE400D
200	160031710	DOOR KIT ASSY-GRAY/REPLACES 160007740/160907110	X
	160007740	DOOR ASSY-BLACK (USE 160031710)	X
201	242512260	BAR-BLACK	X
202	433100610	DOOR LINER	X
203	414801100	DOOR GASKET	X
204	160907110	DOOR FRAME ASSY-BLACK/3 SIDES (USE 160031710-DOOR ASSY)	X
205	404004700	HINGE BUSHING-POINTED	X
206	302304340	DOOR PANEL-BLACK	X
207	545008203	MARK-NORCOLD/BLACK	X
208	422302000	HOLDER-"I"/FOR BAR	X
209	80830441210	SCREW-TRUSS TAPPING/M 4x12	X
210	439004100	DOOR LINER STUFFING	X
211	427600210	DOOR FRAME-BOTTOM/BLACK	X
212	404001000	HINGE BUSHING	X
213	160003820	EVAPORATOR DOOR ASSY-BLACK	X
214	433101000	EVAPORATOR DOOR LINER-EVAPORATOR DOOR	X
215	414800700	DOOR GASKET-EVAPORATOR	X
216	439004800	HEAT INSULATOR-EVAPORATOR DOOR ASSY	X
217	422500620	EVAPORATOR DOOR PANEL-BLACK	X
218	8260041009	NUT	X
219	8320042001	WASHER-SPRING	X
220	8300041009	WASHER	X
221	520600200	TORSION BAR-EVAPORATOR DOOR	X
222	8000040124	SCREW	X
223	8083034062	SCREW-TAPPING	X