



PARTS LIST

9100 SERIES

9162

9163

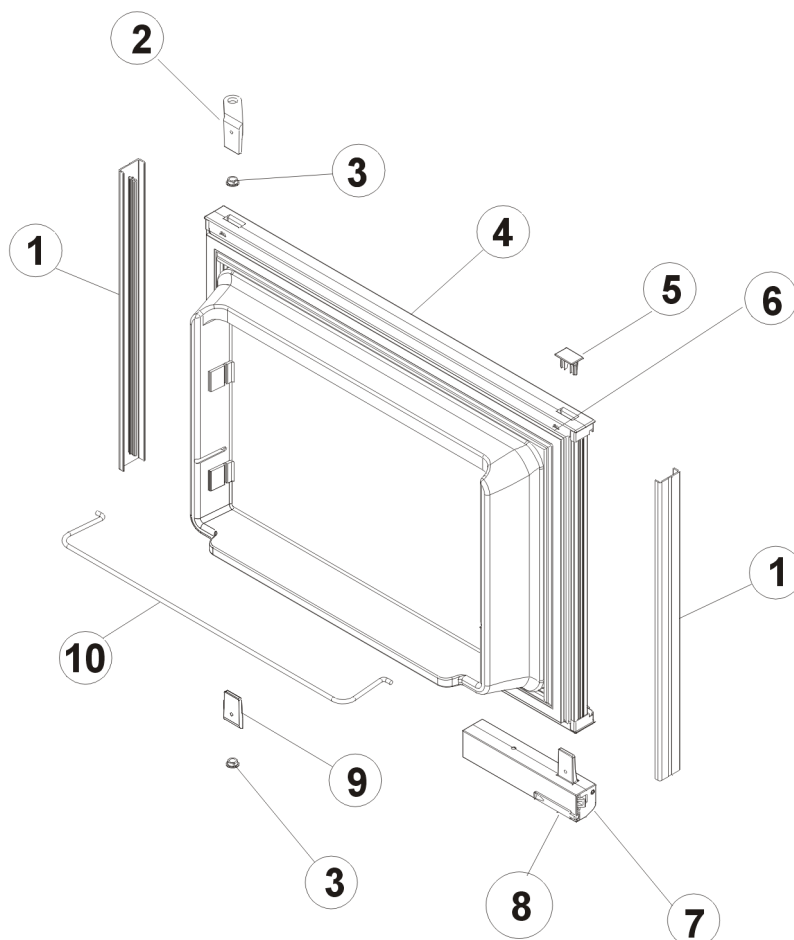
9182

9182F

9183

PART NO. 634012
NORCOLD 09/17/2014

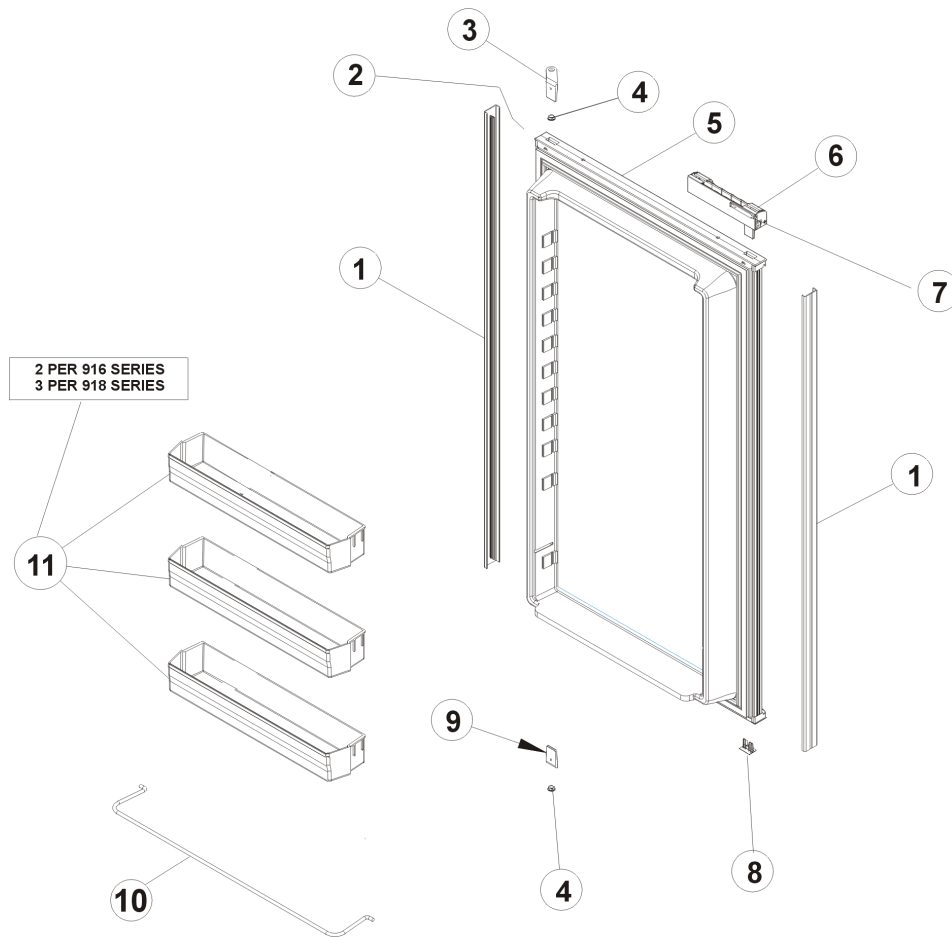
DOOR - UPPER (FREEZER) - 9100 SERIES



ART01183

NO.	PART #	DESCRIPTION	916	918
1	618128	PANEL RETAINER-UPPER DOOR	X	X
2	618511	HINGE-DOOR SIDE/TOP RH/BTM LH/BLACK	X	X
3	618144	HINGE BUSHING-DOOR HINGE/BLACK	X	X
4	618205	DOOR LINER ASSY-UPPER/GRAY DOOR GASKET	X	X
	620076	DOOR LINER ASSY-UPPER/WHITE DOOR GASKET (USE 619627)	X	X
5	618160	CAP-HINGE PLUG/BLACK	X	X
6	619569	BOLT-CAP SHOULDER/TORX HEAD	X	X
7	618235	DOOR HANDLE ASSY-UPPER DOOR/RH SWING/BLACK (USE 619574)	X	X
8	618119	STORAGE LATCH-DOOR/BLACK (USE 619648)	X	X
9	618510	HINGE-DOOR SIDE/TOP LH/BTM RH/BLACK	X	X
10	618618	RAIL-UPPER DOOR	X	X
		PART IS NO LONGER AVAILABLE		

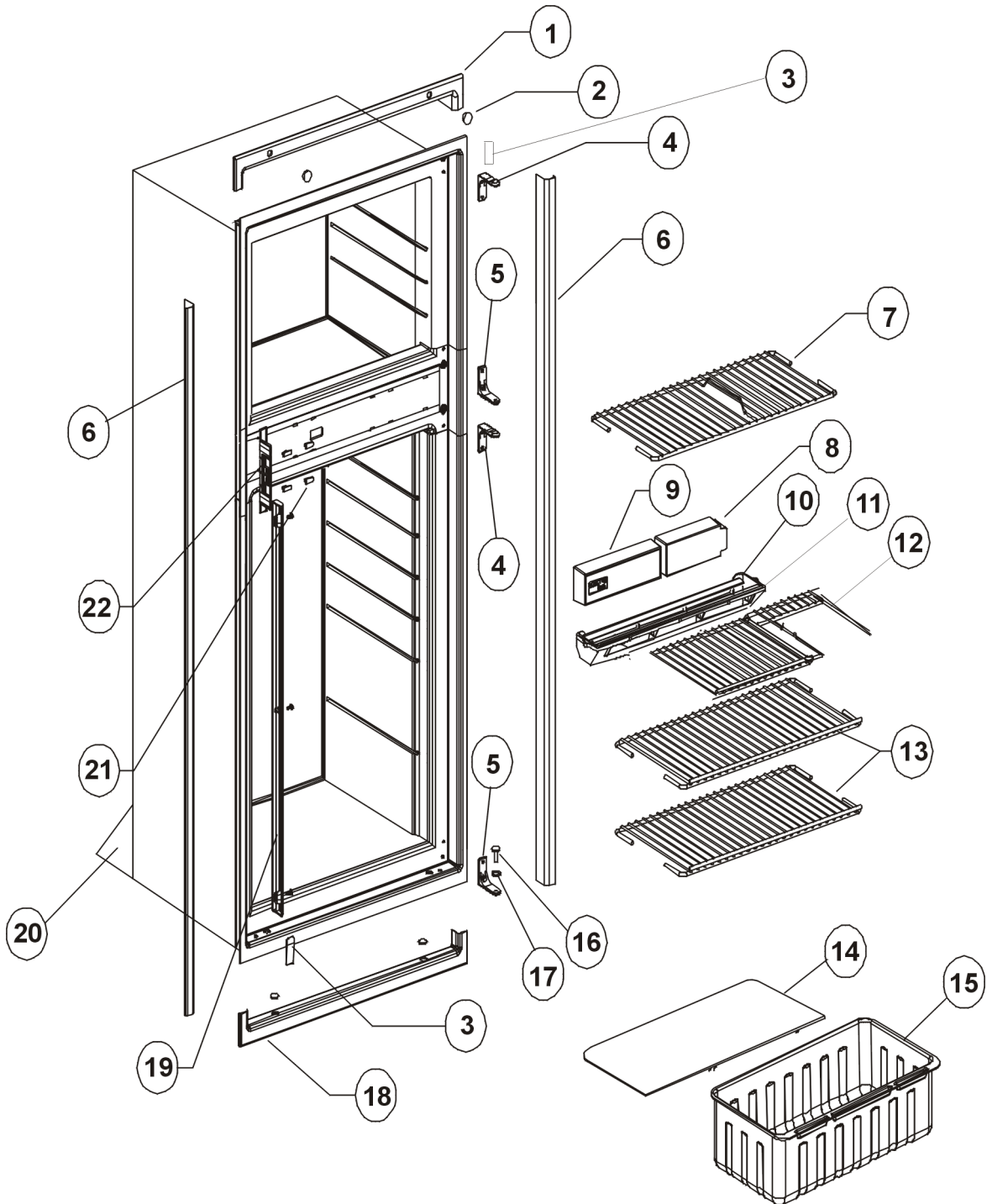
DOOR - LOWER (FRESH FOOD) - 9100 SERIES



ART01184

NO.	PART #	DESCRIPTION	916	918
1	618132	PANEL RETAINER-LOWER DOOR	X	
	618129	PANEL RETAINER-LOWER DOOR		X
2	619569	BOLT-CAP SHOULDER/TORX HEAD	X	X
3	618511	HINGE-DOOR SIDE/TOP RH/BTM LH/BLACK	X	X
4	618144	HINGE BUSHING-DOOR HINGE/BLACK	X	X
5	618210	DOOR LINER ASSY-LOWER/6 FT/GRAY DOOR GASKET	X	
	620077	DOOR LINER ASSY-LOWER/6 FT/WHITE DR GASKET (USE 619629)	X	
	618270	DOOR LINER ASSY-LOWER/8 FT/GRAY DOOR GASKET (USE 630255)		X
	620081	DOOR LINER ASSY-LOWER/8 FT/WHITE DR GASKET (USE 619631)		X
6	618230	DOOR HANDLE ASSY-LOWER DOOR/RH SWING/BLACK (USE 619573)	X	X
7	618119	STORAGE LATCH-DOOR/BLACK (USE 619648)	X	X
8	618160	CAP-HINGE PLUG/BLACK	X	X
9	618510	HINGE-DOOR SIDE/TOP LH/BTM RH/BLACK	X	X
10	618578	RAIL-LOWER DOOR	X	X
11	618619	BIN-DOOR SHELF/SMALL/WHITE (2 PER 916 & 3 PER 918)	2	3
		PART IS NO LONGER AVAILABLE		

CABINET ASSEMBLY - FRONT VIEW - 9100 SERIES

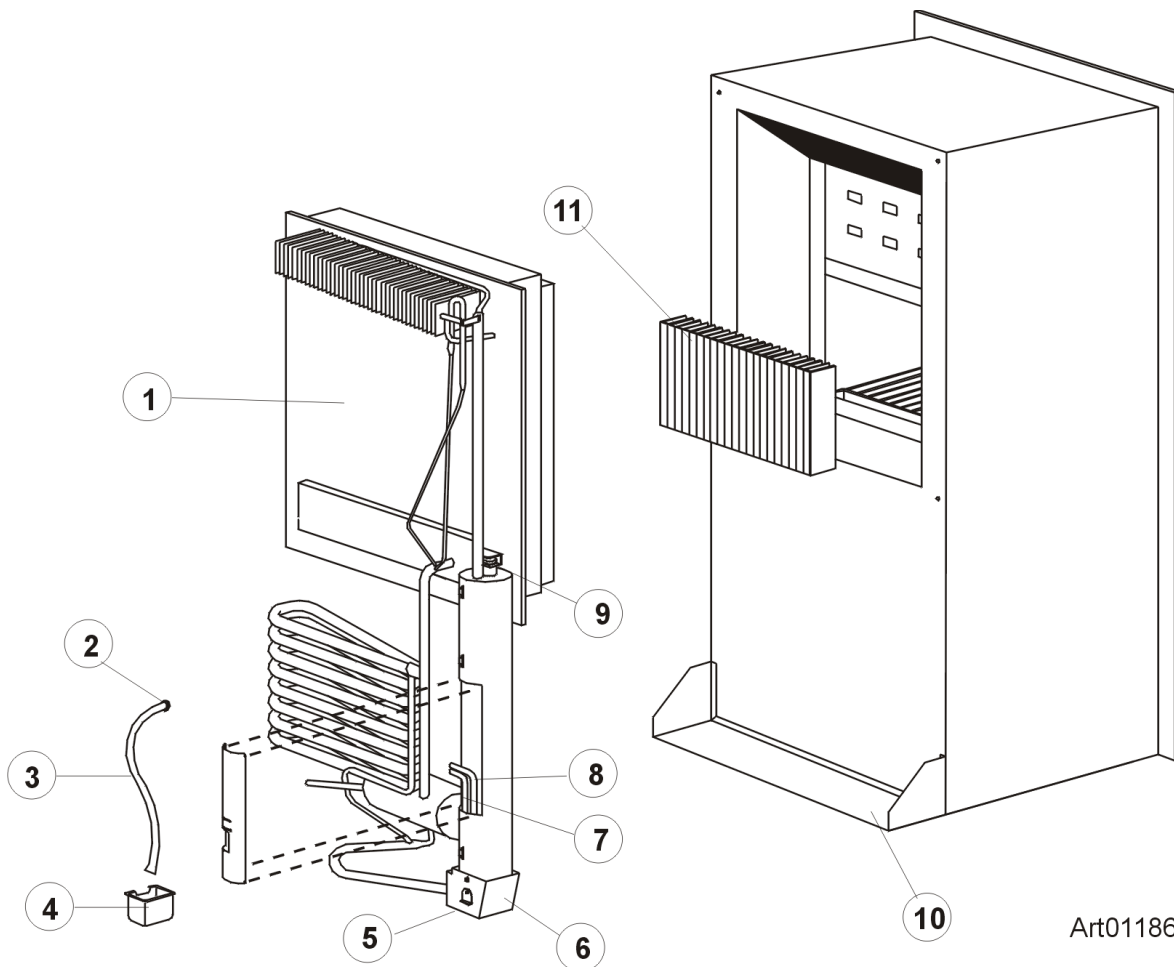


ART01185

CABINET ASSEMBLY - FRONT VIEW - 9100 SERIES

NO.	PART #	DESCRIPTION	916	918
1	618124	TRIM PIECE-CABINET/TOP/WITHOUT BRASS INSERTS	X	X
	619687	TRIM PIECE ASSY-TOP/WITH INSERTS/BLACK (USE 622319)	X	X
2	618170	HOLE PLUG-FOR TOP TRIM PIECE/BLACK	X	X
3	618171	COVER-HINGE HOLE/WHITE/2 POINT	X	X
	619301	COVER-HINGE HOLE/WHITE/3 POINT	X	X
4	618988	HINGE-CABINET SIDE/FREEZER/SLOTTED/PAINTED	X	X
	619336	HINGE-CABINET/3 POINT/TOP LH/BTM RH/BLACK	X	X
5	618988	HINGE-CABINET SIDE/FREEZER/SLOTTED/PAINTED	X	X
	619335	HINGE-CABINET/3 POINT/TOP RH/BTM LH/BLACK	X	X
6	618133	TRIM PIECE-CABINET/SIDE/6' (USE 622295)	X	
	618134	TRIM PIECE-CABINET/SIDE/8' (USE 622296)		X
7	618620	SHELF-WIRE/FREEZER (USE 620250)	X	X
8	618112	FRONT BOX	X	X
9	618588	CONTROL ASSY-OPTICAL (USE 625386 FOR EG2/625387 FOR EG3)	X	X
10	618176	LOUVER-DRIP TRAY/WHITE (USE 623250)	X	X
11	618137	DRIP TRAY-INSIDE (USE 623250)	X	X
12	618624	SHELF-WIRE/CUT OUT (USE 632450)	X	X
13	618589	SHELF-WIRE/FULL (USE 620273)	2	3
14	618158	CRISPER COVER-GLASS SHELF	X	X
15	618571	CRISPER-WHITE/FULL	X	X
16	618145	HINGE PIN-DOOR	X	X
17	618144	HINGE BUSHING-DOOR HINGE/BLACK	X	X
18	618136	TRIM PIECE-CABINET/BOTTOM (USE 622323)	X	X
19	618181	RETAINER-SHELF	X	X
20	61586722	BRACE-CABINET/BACK	X	X
21	618184	PLUG-FACADE/BLACK	X	X
	619381	HOLE PLUG-DIVIDER/BLACK	X	X
22	618167	STRIKE PLATE-BLACK	X	X
		PART IS NO LONGER AVAILABLE		

CABINET ASSEMBLY - REAR VIEW - COOLING UNIT AREA - 9100 SERIES

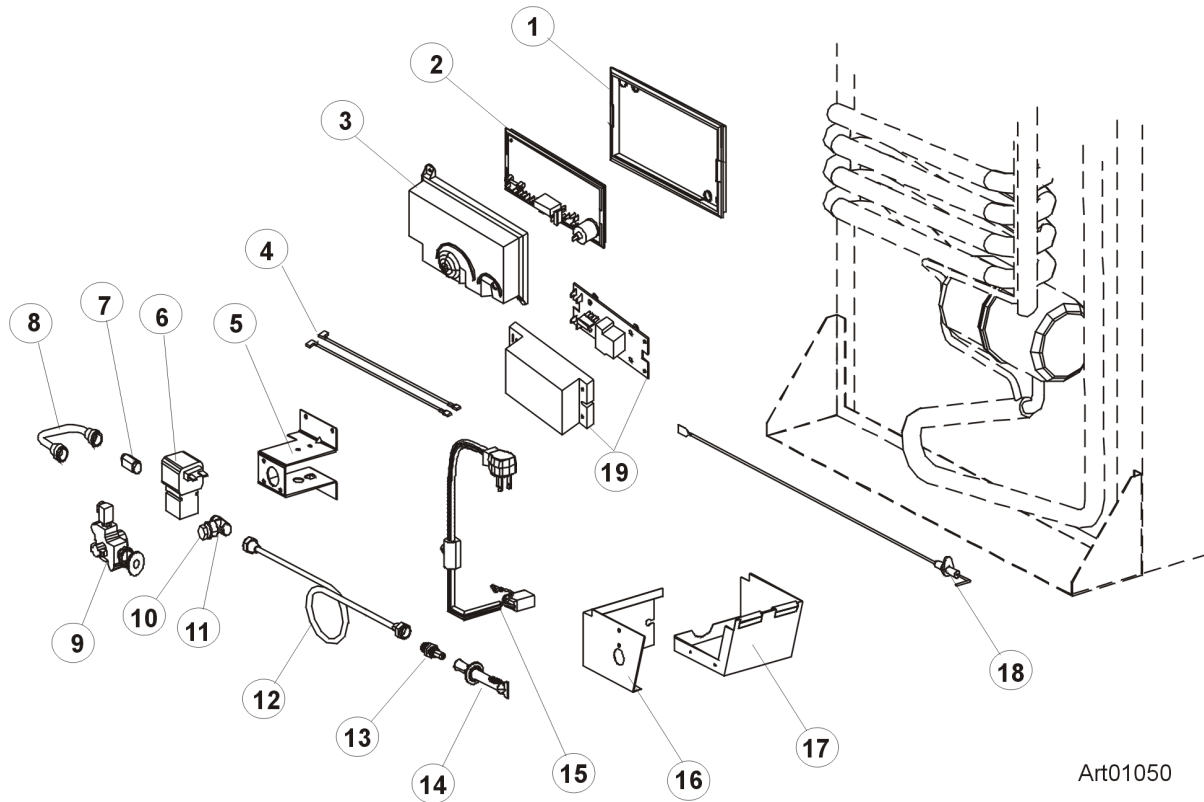


Art01186

NO.	PART #	DESCRIPTION	916	918
1	632307	NSC SYSTEM PACK-COOLING UNIT (BACKER HEATER)	X	
	632314	NSC SYSTEM PACK-COOLING UNIT (BACKER HEATER)		X
NS	618111	BAFFLE DIFFUSER/WIRE ASSY-COOLING UNIT (NOT SHOWN)	X	X
2	61505122	HOSE CLAMP	X	X
3	618217	DRAIN HOSE-26" (USE 622390)	X	
	618242	DRAIN HOSE-32" (USE 622391)		X
4	61710922	DRIP CUP-REAR/METAL (USE 622546)	X	X
5	61712637	COVER ASSY-BURNER BOX	X	X
6	61695322	BASE-BURNER BOX	X	X
7	621702	HEATER-AC (COOLING UNIT SERIAL# 11231023 & BELOW)	X	
		HEATER-AC (COOLING UNIT SERIAL# 11232007 & BELOW)		X
	630811	HEATER-AC/BACKER (COOLING UNIT SERIAL# 11231024 & ABOVE)	X	
		HEATER-AC/BACKER (COOLING UNIT SERIAL# 11232008 & ABOVE)		X
8	626832	HEATER-DC/ (COOLING UNIT SERIAL# 11231023 & BELOW)	EG3	
		HEATER-DC (COOLING UNIT SERIAL# 11232007 & BELOW)		EG3
	630812	HEATER-DC/BACKER (COOLING UNIT SERIAL# 11231024 & ABOVE)	EG3	EG3
		HEATER-DC/BACKER (COOLING UNIT SERIAL# 11232008 & ABOVE)		EG3
9	61695022	CAP-HEAT DEFLECTOR	X	X
10	61586722	BRACE-CABINET/BACK	X	X
11	61686823	FINS	X	X

PART IS NO LONGER AVAILABLE

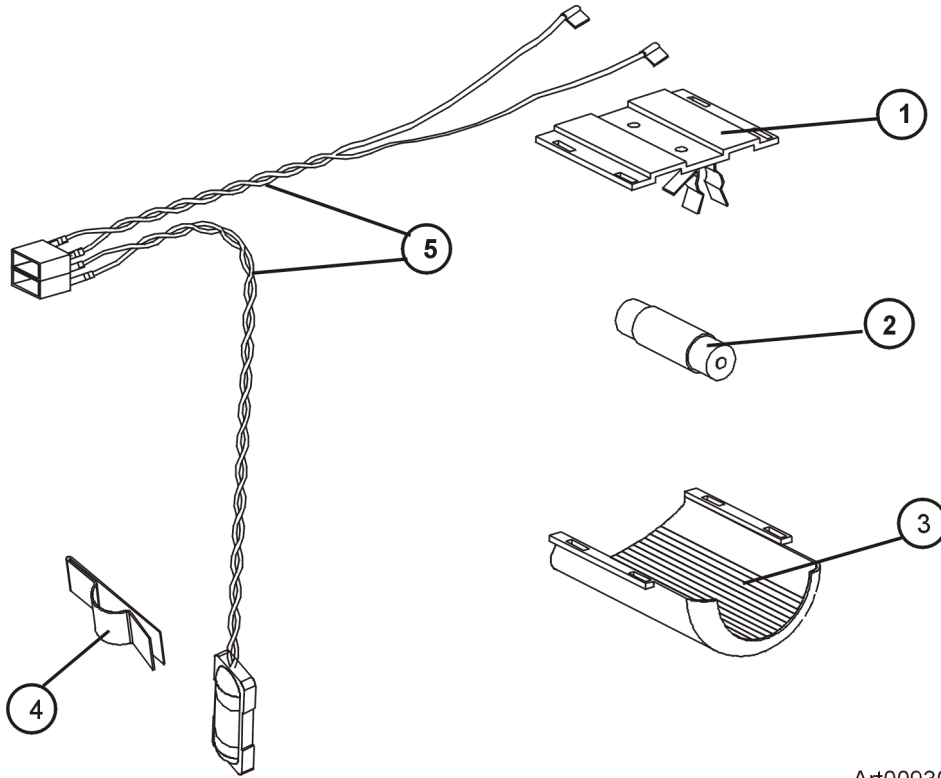
CONTROLS - REAR VIEW - 9100 SERIES



Art01050

NO.	PART #	DESCRIPTION	916	918
1	618186	BASE-POWER BOARD	X	X
2	618574	POWER BOARD-EG2 (USE 625386)	EG2	EG2
	618575	POWER BOARD-EG3 (USE 625387)	EG3	EG3
3	618185	COVER-POWER SUPPLY	X	X
4	618287	WIRE-WHITE/6"/GAS VALVE (USE 621448)	X	X
5	61694022	BRACKET-MOUNTING/GAS VALVE	X	X
6	61551822	GAS VALVE-ASCO (USE 621444)	X	X
	621444	KIT-GAS VALVE/BURNER TUBE ASSY	X	X
7	61546822	CONNECTOR-MALE (NOT SHOWN)	X	X
8	61694622	UNION TUBE (NOT SHOWN)	X	X
9	61694922	MANUAL SHUT OFF VALVE ASSY-KINCO BALON (USE 621444)	X	X
10	61445322	PLUG-1/8"/FOR PRESSURE TAP	X	X
11	61594422	PRESSURE TAP	X	X
12	618252	BURNER TUBE	X	X
13	618283	ORIFICE-JEWELLED/.015" (USE 621957)	X	
	618284	ORIFICE-JEWELLED/.0155" (USE 621957)		X
14	61705222	BURNER ASSY-5 SLOT (USE 621957)	X	X
15	61554422	CORD-AC POWER/BLACK	X	X
16	61712637	COVER ASSY-BURNER BOX	X	X
17	61695322	BASE-BURNER BOX	X	X
18	61692222	ELECTRODE-SPARK/SENSE/SINGLE ELECTRODE/0.25"	X	X
19	618516	DAUGHTER BOARD-EG3 (NOT SHOWN) (USE 625387)	EG3	EG3
NS	618606	WIRE-EG3/12 VOLT (NOT SHOWN)	EG3	EG3
NS	618602	WIRE-EG3/GROUND (NOT SHOWN)	EG3	EG3
NS	618605	WIRE-EG3/SENSE (NOT SHOWN)	EG3	EG3
		PART IS NO LONGER AVAILABLE		

INTERIOR LIGHT & THERMISTER ASSEMBLY - 9100 SERIES



Art00930A

NO.	PART #	DESCRIPTION	916	918
1	61629722	LAMP BRACKET ASSY	X	X
2	632545	LAMP-/DC LIGHT BULB	X	X
3	61627922	COVER-LAMP (USE 621827)	X	X
4	633437	CLIP-THERMISTER MOUNTING/FIN	X	X
5	618548	LAMP THERMISTER WIRE ASSY	X	X

FAN MODEL PARTS - 9182F

PART #	DESCRIPTION	9182F
618857	BRACKET-DC FAN	F
619016	BRACKET-FAN SUPPORT	F
61417922	CABLE TIE-NYLON	F
618856	FAN-EXTERNAL DC	F
618093	THERMOSTAT-DC FAN/THERMO DISC	F
618950	WIRE MOUNT-ADHESIVE	F
618700	WIRE-BLACK/24"/18 GA	F
619017	WIRE-BLACK/6"/18 GA	F
618701	WIRE-RED/36"/18 GA	F
618978	WIRE-RED/6"/18 GA/12V FAN	F
618699	WIRE-RED/60"/18 GA/WITH FUSE HOLDER	F
