



PARTS LIST

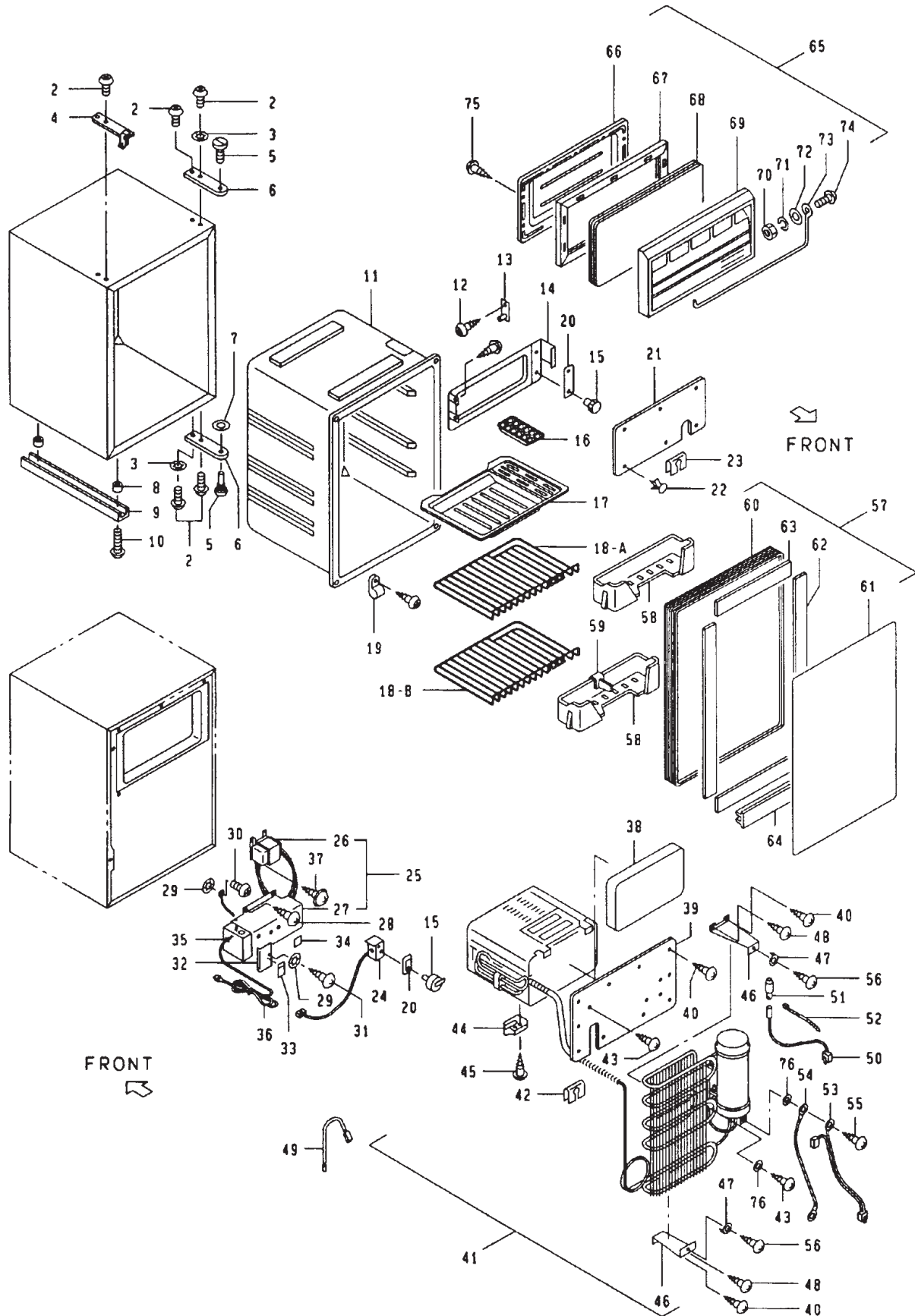
DE390 SERIES

DE390D

DE390F

PART # 619727
NORCOLD 04/04/2013

REFRIGERATOR ASSEMBLY - DE390 SERIES



REFRIGERATOR ASSEMBLY - DE390 SERIES

NO.	PART #	DESCRIPTION	DE390D	DE390F
2	8050050104	SCREW	X	X
3	83400500010	WASHER-TEETH LOCK	X	X
4	160924300	HOLDER ASSY-TRAVEL LATCH	X	X
5	505502330	HINGE PIN-0.625"	X	X
6	304111000	PLATE-HINGE (USE 304111020)	X	X
7	8300087001	WASHER	X	X
8	412000800	CUSHION-RUBBER LEG	X	X
9	322301900	SUPPORT-BOTTOM RAIL	X	X
10	8010060401	SCREW	X	X
11	160924000	INNER CASE ASSY	X	X
12	80830441220	SCREW-TAPPING/M4x12	X	X
13	160904800	HINGE-EVAPORATOR DOOR	X	X
14	422600120	EVAPORATOR FRAME	X	X
15	160206700	KNOB-THERMOSTAT	X	X
16	160203000	ICE CUBE TRAY	X	X
17	433000500	DRAINAGE PAN	X	X
18-A	523001210	SHELF-TOP	X	X
18-B	523001220	SHELF-BOTTOM	X	X
19	645103950	HOLDER-SHELF	X	X
20	545020770	MARK-EVAPORATOR FRAME	X	X
21	430307000	PLATE-"I"	X	X
22	645100510	FASTENER-PLASTIC RIVET	X	X
23	416004200	BUSHING-FOR BLIND PLATE	X	X
24	160107210	THERMOSTAT	X	X
25	16011396007	KIT-POWER SUPPLY	X	X
	160107100	POWER SUPPLY (USE 16011396007)	X	X
26	196013100	TRANSFORMER ASSY (USE 16011396007)	X	X
27	163007800	OSCILLATOR ONLY (USE 16011396007)	X	X
NS	16092497009	FAN KIT ASSY (NOT SHOWN)	X	X
28	80830441210	SCREW-TRUSS TAPPING/M4x12	X	X
29	834004000	WASHER-TEETH LOCK	X	X
30	8000040121	SCREW	X	X
31	80840430810	SCREW-TRUSS TAPPING/M4x8	X	X
32	322119100	COVER-DC WIRES	X	X
33	546017100	CAUTION PLATE (ON DC COVER)	X	X
34	546028000	CAUTION PLATE	X	X
35	601600010	GROMMET-STRAIN RELIEF	X	X
36	191203410	CORD ASSY-AC	X	X
37	8073044121	SCREW-TAPPING/WITH TEETH LOCK WASHER	X	X

(CONTINUED ON PAGE 4)

REFRIGERATOR ASSEMBLY - DE390 SERIES

(CONTINUED FROM PAGE 4)

NO.	PART #	DESCRIPTION	DE390D	DE390F
38	439010300	HEAT INSULATOR	X	X
39	161212700	BLIND PLATE	X	X
40	80830441210	SCREW-TRUSS TAPPING/M4x12	X	X
41	161008020	COOLING UNIT	X	X
42	416004200	BUSHING-FOR BLIND PLATE	X	X
43	8073044121	SCREW-TAPPING/WITH TEETH LOCK WASHER	X	X
44	422305000	HOLDER-THERMISTER/AT EVAPORATOR	X	X
45	8080043082	SCREW-TAPPING	X	X
46	321105900	HOLDER-COOLING UNIT	X	X
47	322005310	HOLDER-CONDENSER WASHER	X	X
48	8073044124	SCREW-TAPPING	X	X
49	605503200	THERMISTER-EVAPORATOR (USE 605503201)	X	X
50	605503301	THERMISTER-WIRE CONDENSER	X	X
51	410110200	CAP-THERMISTER	X	X
52	645105900	FASTENER	X	X
53	190228630	COUPLER ASSY	X	X
54	192116605	CORD WITH TERMINAL-GROUND CORD	X	X
55	80840430810	SCREW-TRUSS TAPPING/M4x8	X	X
56	8071043163	SCREW-TAPPING	X	X
57	160027910	DOOR ASSY-WITHOUT POCKETS	X	X
58	422508900	DOOR POCKET-DOOR SHELF BIN	X	X
59	422508600	PARTITION-DOOR POCKET	X	X
60	160923910	DOOR FRAME ASSY-FOAMED LINER	X	X
61	302311710	DOOR PANEL-BLACK	X	X
62	412006690	CUSHION-VERTICAL/DOOR FRAME ASSY/FOAM	X	X
63	412006680	CUSHION-HORIZONTAL/DOOR FRAME ASSY/FOAM	X	X
64	427602720	DOOR FRAME-BOTTOM/GRAY	X	X
65	160003820	EVAPORATOR DOOR ASSY-BLACK	X	X
66	433101000	EVAPORATOR DOOR LINER-EVAPORATOR DOOR	X	X
67	414800700	DOOR GASKET-EVAPORATOR	X	X
68	439004800	HEAT INSULATOR-EVAPORATOR DOOR ASSY	X	X
69	422500620	EVAPORATOR DOOR PANEL-BLACK	X	X
70	8260041009	NUT	X	X
71	8320042001	WASHER-SPRING	X	X
72	8300041009	WASHER	X	X
73	520600200	TORSION BAR-EVAPORATOR DOOR	X	X
74	8000040124	SCREW	X	X
75	8083034062	SCREW-TAPPING	X	X
76	83400400010	WASHER-TEETH LOCK	X	X

PART IS NO LONGER AVAILABLE