



PARTS LIST

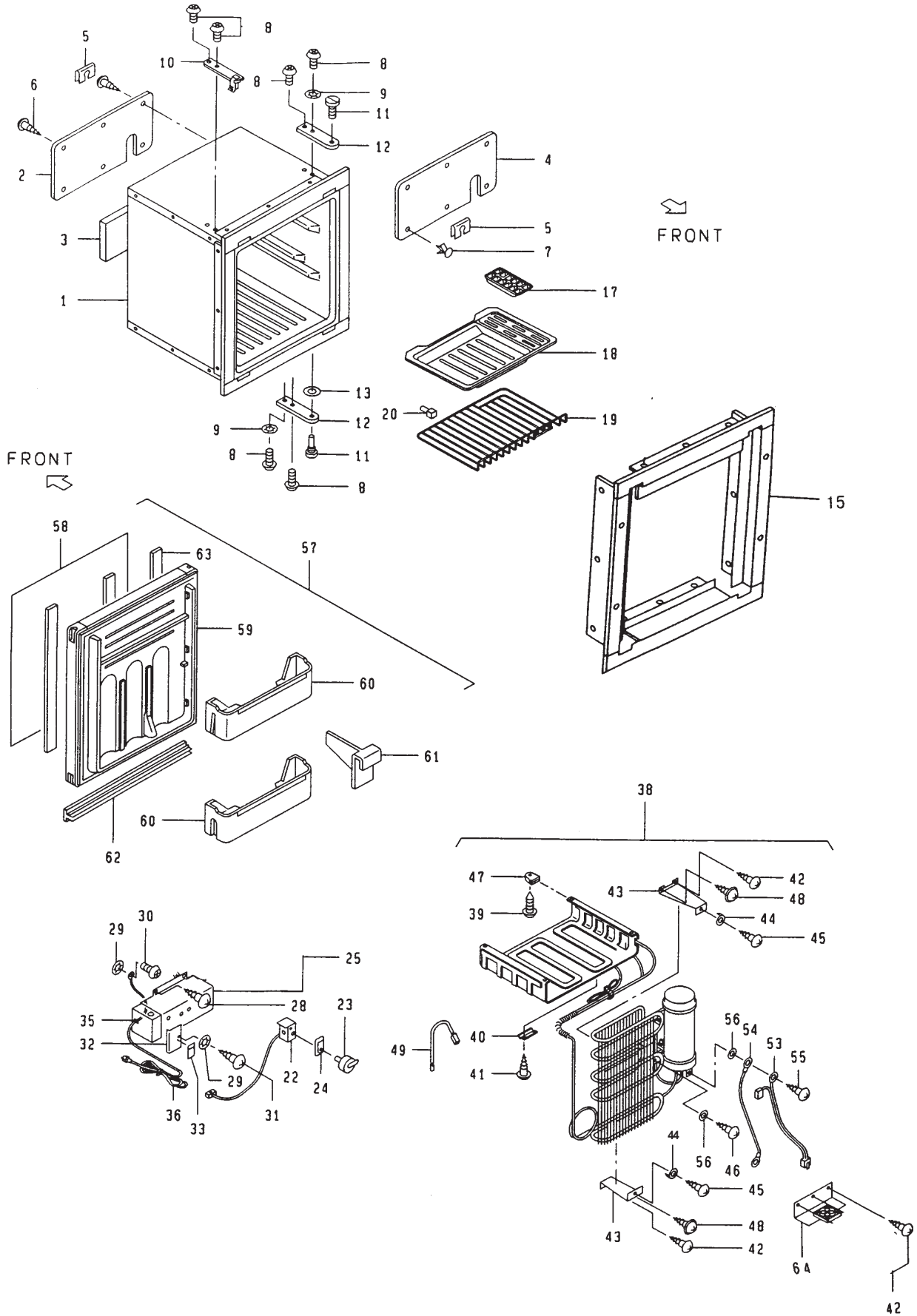
DE451

DE451K

EV451

PART NO. 619742
NORCOLD 11/08/2011

REFRIGERATOR ASSEMBLY - DE451/DE451K/EV451



REFRIGERATOR ASSEMBLY - DE451/DE451K/EV451

NO.	PART #	DESCRIPTION	DE451	DE451K	EV451
1	160029020	CABINET ASSY-WITH FRAME	X	X	
	160029000	CABINET ASSY-WITH FRAME			X
2	161212400	BLIND PLATE	X	X	X
3	439010400	HEAT INSULATOR	X	X	X
4	430307100	PLATE-"I"	X	X	X
5	416004200	BUSHING-FOR BLIND PLATE	X	X	X
6	8083044121	SCREW-TRUSS TAPPING/4 X 12	X	X	X
7	645100510	FASTENER-PLASTIC RIVET	X	X	
8	8050050104	SCREW-TAPPING (ENDED FEB. 2000 - SERIAL MJN)	X	X	X
	501042700	SCREW-TAPPING (BEGAN MARCH 2000 - SERIAL MKN)	X	X	X
9	83400500010	WASHER-TEETH LOCK	X	X	X
10	160924300	HOLDER ASSY-TRAVEL LATCH (ENDED FEB. 2000 - SERIAL MJN)	X	X	X
NS	304111000	PLATE-HINGE (USE 304111020)	X	X	
NS	304111020	PLATE-TRAVEL PIN/4 HOLE (BEGAN MARCH 2000 - SERIAL MKN)	X	X	X
NS	160207630	TRAVEL PIN ASSY-1.73" (BEGAN MARCH 2000 - SERIAL MKN)	X	X	X
11	505502330	HINGE PIN-0.625"	X	X	X
12	304111000	PLATE-HINGE (ENDED FEB. 2000 - SERIAL MJN)	X	X	X
NS	160932600	HINGE/PIN ASSY-1.5" (WELDED PIN) (BEGAN MARCH 2000-SERIAL MKN)	X	X	X
13	8300087001	WASHER	X	X	X
NS	422107800	COVER PLATE-HINGE HOLE	X	X	X
15	160925800	CABINET FRAME ASSY-FOUR SIDES	X	X	X
17	160203000	ICE CUBE TRAY	X	X	X
18	433001401	DRAINAGE PAN	X	X	X
19	523003210	SHELF	X	X	X
20	645109400	HOLDER-SHELF/REAR	X	X	X
22	160114000	THERMOSTAT	X	X	X
23	160206700	KNOB-THERMOSTAT	X	X	X
24	545074600	MARK-THERMOSTAT	X	X	X
25	160113910	POWER SUPPLY	X	X	
	160113930	POWER SUPPLY			X
28	8083044121	SCREW-TRUSS TAPPING/4 X 12	X	X	X
29	834004000	WASHER-TEETH LOCK	X	X	X
30	8000040121	SCREW	X	X	X
31	8084043081	SCREW-TRUSS TAPPING/4 X 8	X	X	X

NS = NOT SHOWN

(CONTINUED ON PAGE 4)

REFRIGERATOR ASSEMBLY - DE451/DE451K/EV451

(CONTINUED FROM PAGE 3)

NO.	PART #	DESCRIPTION	DE451	DE451K	EV451
32	322119100	COVER-DC WIRES	X	X	X
33	546017120	CAUTION PLATE	X	X	
35	601600010	GROMMET-STRAIN RELIEF	X	X	X
36	191203410	CORD ASSY-AC	X	X	
	191217100	CORD ASSY-AC			X
38	161008200	COOLING UNIT	X		X
	161008230	COOLING UNIT		X	
39	8083043121	SCREW-TAPPING	X	X	
	80800441620	SCREW-TAPPING			X
40	422305000	HOLDER-THERMISTER/AT EVAPORATOR	X	X	X
41	8080043082	SCREW-TAPPING	X	X	X
42	8083044121	SCREW-TRUSS TAPPING/4 X 12	X	X	X
43	321105900	HOLDER-COOLING UNIT	X	X	X
44	322005310	HOLDER-CONDENSER WASHER	X	X	X
45	8071043163	SCREW-TAPPING	X	X	X
46	8083043121	SCREW-TAPPING	X	X	X
47	422006700	CLIP-EVAPORATOR HOLDER/U SHAPED	X	X	X
48	8073044121	SCREW-TAPPING/WITH TEETH LOCK WASHER	X	X	X
49	605505410	THERMISTER-EVAPORATOR	X	X	X
53	190264710	COUPLER ASSY	X	X	X
54	192116605	CORD WITH TERMINAL-GROUND CORD	X	X	X
55	8084043081	SCREW-TRUSS TAPPING/4 X 8	X	X	X
56	83400400010	WASHER-TEETH LOCK	X	X	X
57	160027600	DOOR ASSY-WITHOUT POCKETS	X	X	X
58	302311620	DOOR PANEL-BLACK	X	X	X
59	160923710	DOOR FRAME ASSY-FOAMED LINER	X	X	X
60	422508800	DOOR POCKET-DOOR SHELF BIN	X	X	X
61	422508600	PARTITION-DOOR POCKET	X	X	X
62	427602700	DOOR FRAME-BOTTOM/GRAY	X	X	X
63	412006670	CUSHION-DOOR PANEL	X	X	X
64	160924950	FAN ASSY (USE 160928900)	X		X
	160928900	FAN ONLY-50 CYCLE/40 WATT	X		X
NS	601058030	COUPLER ASSY-FAN/EXTENSION	X		X

PART IS NO LONGER AVAILABLE

NS = NOT SHOWN