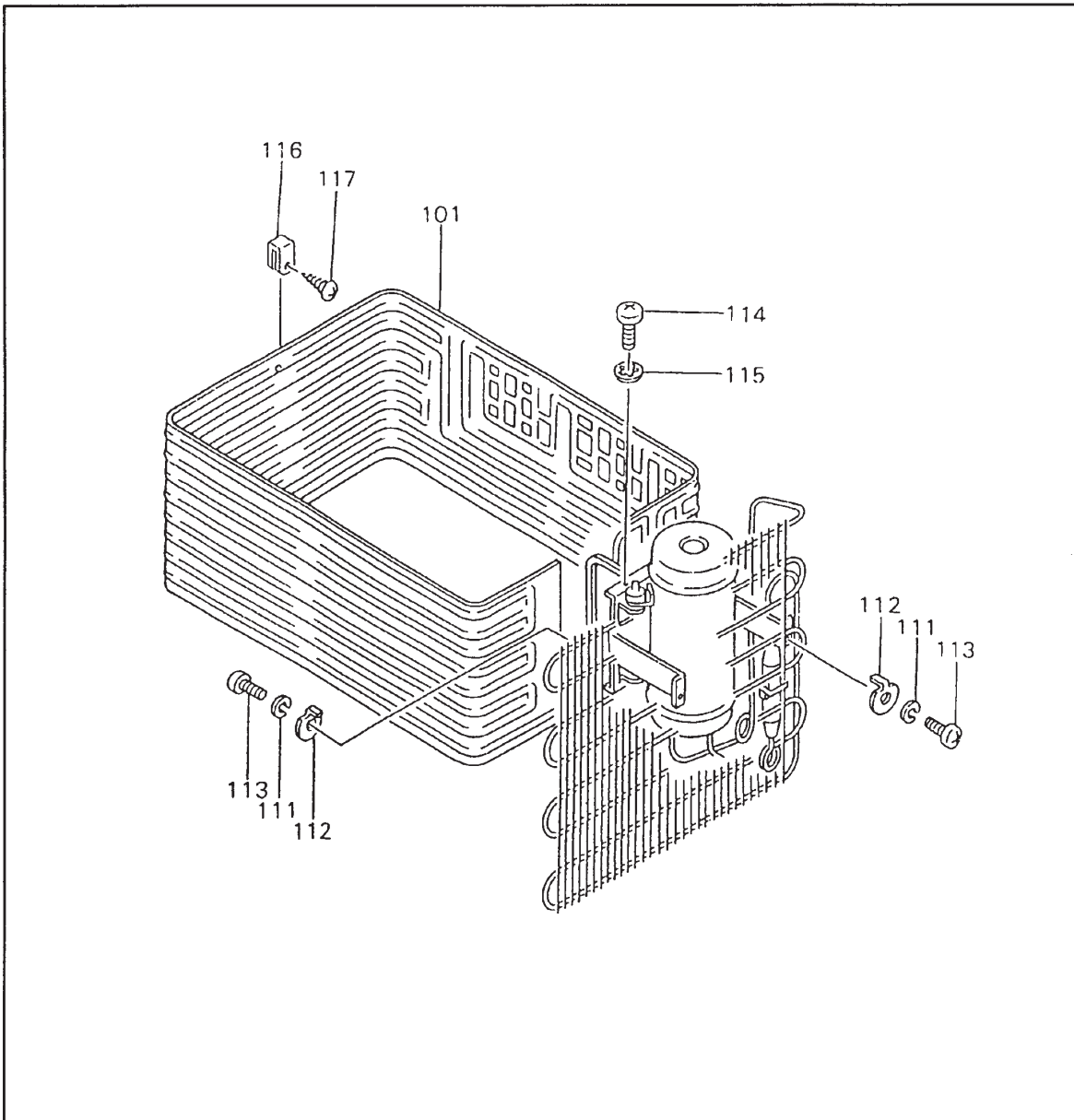




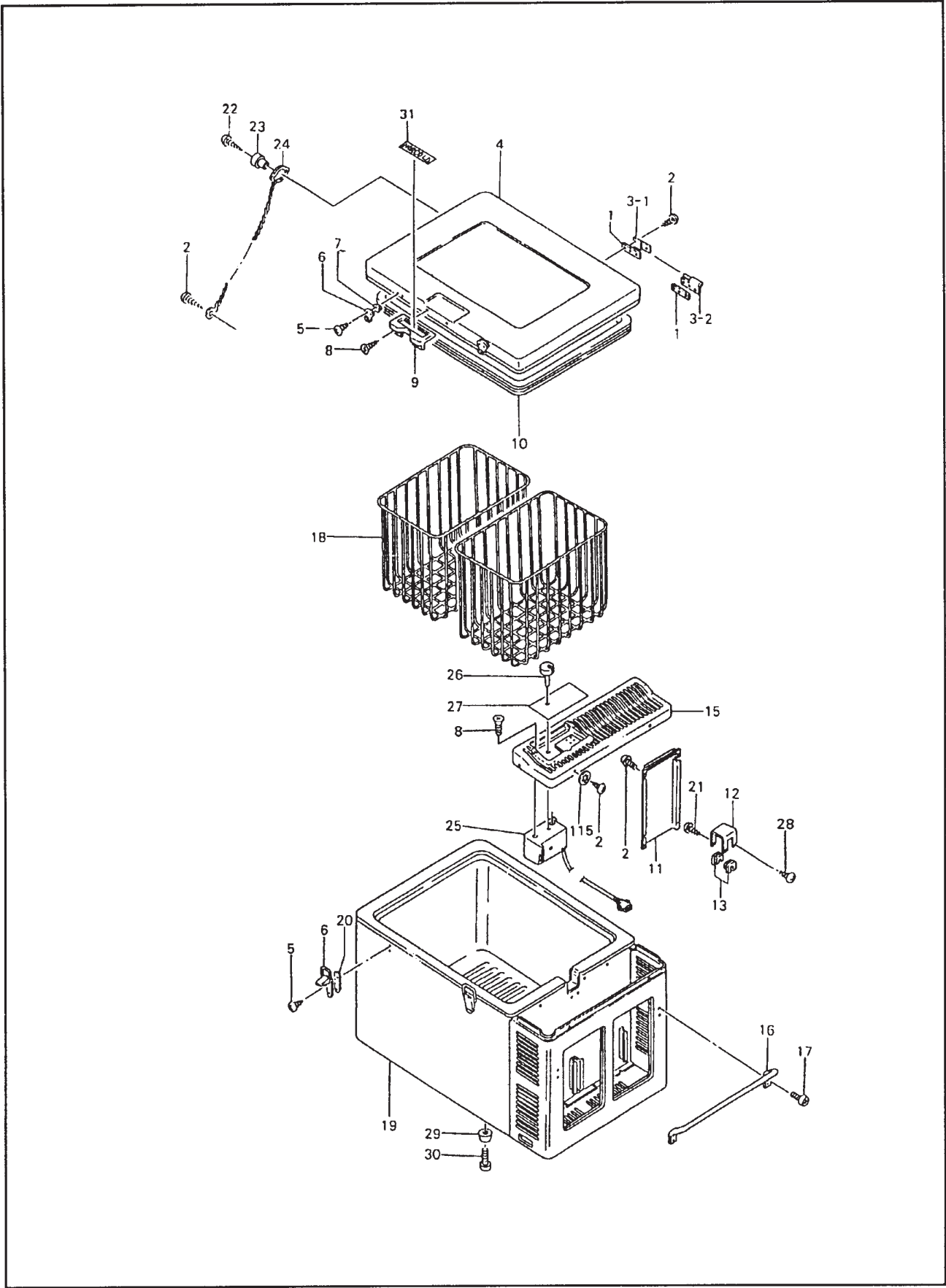
**PARTS LIST**  
**MRFT660A**

**Cooling Unit Area - MRFT-660A**



Index No.	Part No.	Description	MRFT 660A
101	161006620	Cooling Unit (Inverted Compressor)	*
111	8320042003	Washer (Spring)	*
112	322005310	Holder (Condenser Washer)	*
113	8080043163	Screw (Tapping)	*
114	8083043121	Screw (Tapping)	*
115	8340040001	Washer (Teeth Lock)	*
116	422006700	Evaporator Holder Clip (U-Shaped)	*
117	8080044162	Screw (Tapping)	*

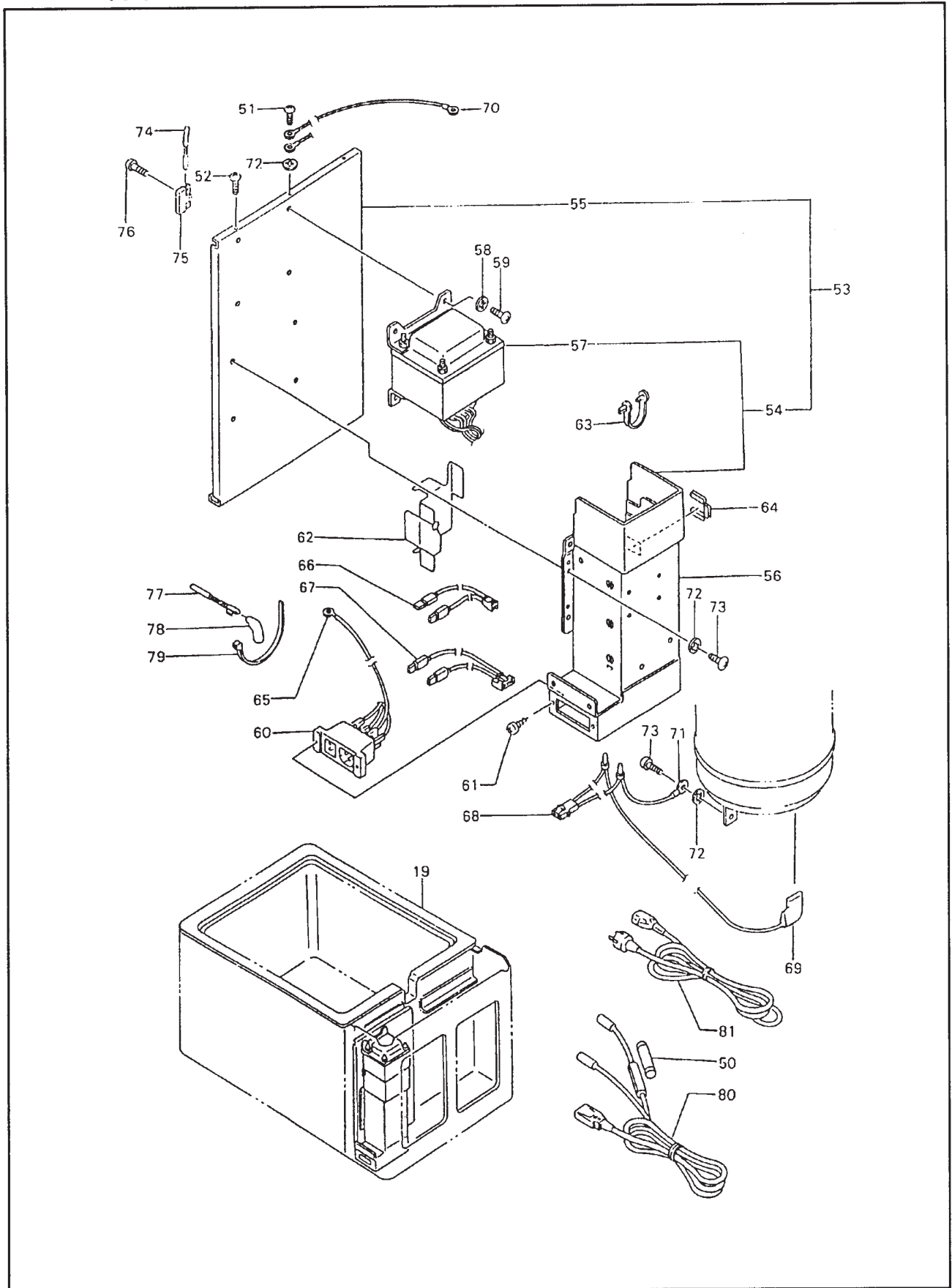
Door Assembly & Cabinet Assembly - MRFT-660A



## Door & Cabinet Assembly

Index No.	Part No.	Description	MRFT 660A
1	430111800	Plate ("I")	*
2	8083044122	Screw (Tapping)	*
32	322117600	Hinge Assembly (Female)	*
33	160906100	Hinge Assembly Male)	*
4-1	160004830	Door Assembly (Complete)	*
4-2	160905530	Door Case (Gray)	NA
5	8081034122	Screw (Tapping)	*
6	626000800	Latch (Two Parts)	*
7	430112900	Plate ("I")	*
8	8081044121	Screw (Tapping)	*
9	422500401	Door Handle (Without Norcold Mark)	*
10	414800800	Door Gasket	*
11	421103401	Blind Cover	*
12	433000910	Cover (Pipe)	*
13	416006300	Bushing (For Pipe Cover)	*
15	160207810	Cover Assembly (Gray)	*
16	322300500	Handle (Cabinet)	*
17	8050050089	Screw	*
18	523001800	Basket (Half)	*
19	160022910	Cabinet Assembly (Gray)	*
20	430113000	Plate ("I")	*
21	8085034122	Screw (Tapping)	*
22	8080044162	Screw (Tapping)	*
23	360403000	Holder (Chain)	*
24	160906300	Chain Assembly	*
25	160107240	Thermostat	*
26	160206700	Thermostat Kob	*
27	545026134	Mark (On Cover Assembly)	*
28	8083044121	Screw (Tapping)	*
29	412005800	Cushion (Rubber Leg)	*
30	8000060201	Screw	*
31	545007702	Mark (Norcold) (Black) (With Gray Cabinet)	*

# Power Supply - MRFT-660A



## Power Supply

Index No.	Part No.	Description	MRFT 660A
50	603614510	Fuse (8 Amp) (For DC Cord)	*
51	8000040121	Screw	*
52	8083044121	Screw (Truss Tapping) (4 X 8)	*
53	160110100	Power Supply (With Plate)	*
54	160110100	Power Supply (No Plate)	*
55	322309320	Plate (For Power Supply)	*
56	163009000	Oscillator Only	*
57	196014200	Transformer Assembly	*
58	8340050001	Washer (Teeth Lock)	*
59	8083053081	Screw (Tapping)	*
60	163205502	Terminal Block	*
61	8085034101	Screw (Tapping)	*
62	430211100	Plate ("I")	*
63	645107400	Fastener	*
64	416018800	Grommet	*
65	192127100	Cord With Terminal	*
66	601033800	Coupler	*
67	601033410	Coupler	*
68	601038800	Coupler	*
69	190953800	Cord With Terminal (Motor Cord)	*
70	192116604	Cord With Terminal (Ground Cord)	*
71	192013704	Cord With Terminal (Motor Cord)	*
72	8340040001	Washer (Teeth Lock)	*
73	8084043081	Screw (Truss Tapping) (4X8)	*
74	605503201	Thermister (Evaporator)	*
75	422305000	Holder (Thermister) (At Evaporator)	*
76	8080042062	Screw (Tapping)	*
77	605503301	Thermister (Wire Condenser)	*
78	410110200	Cap (Thermister)	*
79	645105900	Fastener	*
80	191226320	DC Cord Assembly	*
81	191213340	AC Cord Assembly	*