



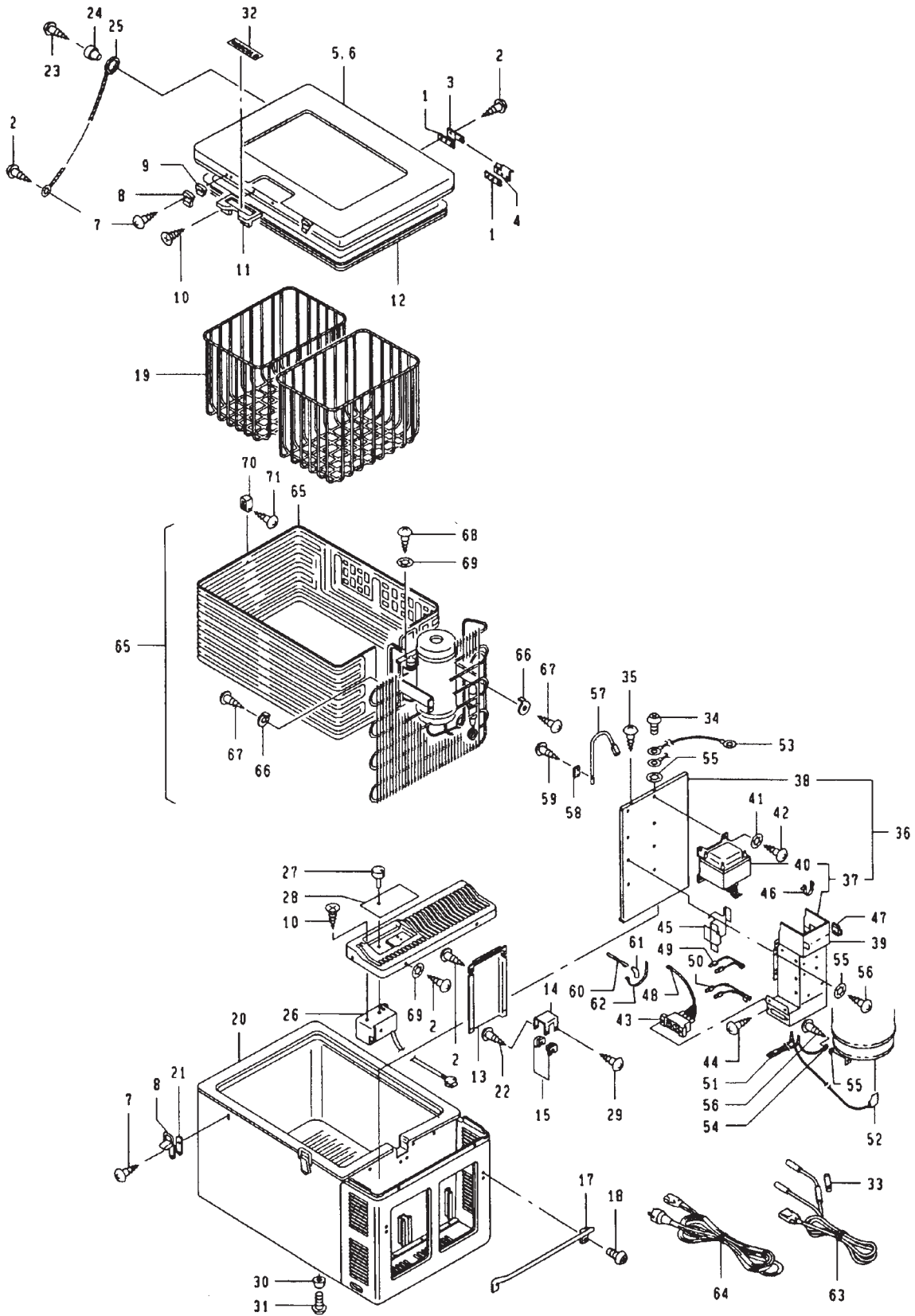
# PARTS LIST

MODEL

MRFT360D

Revision B  
Part No. 619725  
NORCOLD 11/09/2011

# Final Assembly - MRFT-360D



## Final Assembly

NO	PART NO	DESCRIPTION	MRFT-360D
1	430111800	PLATE (I)	X
2	8083044121	SCREW (TAPPING)	X
3	322117600	HINGE ASSEMBLY (FEMALE)	X
4	160906100	HINGE ASSEMBLY (MALE)	X
5	160004830	DOOR ASSEMBLY (COMPLETE)	X
6	160905520	DOOR CASE (GRAY)	X
7	8081034122	SCREW (TAPPING)	X
8	626000800	LATCH (TWO PARTS)	X
9	430112900	PLATE (I)	X
10	8081044121	SCREW (TAPPING)	X
11	422500401	DOOR HANDLE (WITHOUT NORCOLD MARK)	X
12	414800800	DOOR GASKET	X
13	421103401	BLIND COVER	X
14	433000910	COVER (PIPE)	X
15	416006300	BUSHING (FOR PIPE COVER )	X
16	160207800	COVER ASSEMBLY	X
17	323300540	HANDLE (GRAY CABINET)	
18	8050050089	SCREW (TAPPING)	X
19	523001800	BASKET (HALF)	X
20	160022900	CABINET ASSEMBLY (GRAY)	X
21	430113000	PLATE(I)	X
22	8085034122	SCREW (TAPPING)	X
23	8080044162	SCREW (TAPPING)	X
24	360403000	HOLDER (CHAIN)	X
25	160906300	CHAIN ASSEMBLY	X
26	160107240	THERMOSTAT	X
27	160206700	THERMOSTAT KNOB	X
28	545026134	MARK (ON COVER ASSEMBLY)	X
29	8083044121	SCREW (TAPPING)	X
30	412005800	CUSHION (RUBBER LEG)	X
31	8000060201	SCREW	X
32	545007702	MARK (NORCOLD,BLACK, W/GRAY CABINET)	X
33	603614510	FUSE (8 AMP FOR DC CORD)	X
34	8000040121	SCREW	X
35	8081044121	SCREW (TAPPING)	X
36	160110100	POWER SUPPLY (USE 16011543009)	X
	16011543009	POWER SUPPLY	X
		PART IS NO LONGER AVAILABLE	

## Final Assembly

NO	PART NO	DESCRIPTION	MRFT-360D
37	160110100	POWER SUPPLY (USE 16011543009)	X
	16011543009	POWER SUPPLY	X
38	322309320	PLATE (FOR POWER SUPPLY)	X
39	16300900	OSCILLATOR ONLY (USE 16011543009)	X
	16011543009	POWER SUPPLY	X
40	196014200	TRANSFORMER ASSEMBLY (USE 16011543009)	X
	16011543009	POWER SUPPLY	X
41	8340050001	WASHER (TEETH LOCK)	X
42	8083053081	SCREW (TAPPING)	X
43	163205502	TERMINAL BLOCK	X
44	8085034101	SCREW (TAPPING)	X
45	430211100	PLATE (I)	X
46	6445107400	FASTENER	X
47	416018800	GROMMET	X
48	192127100	CORD WITH TERMINAL	X
49	60103880	COUPLER	X
50	601033410	COUPLER	X
51	601046700	COUPLER	X
52	190953800	CORD WITH TERMINAL (MOTOR GROUND)	X
53	192116604	CORD WITH TERMINAL (GROUND CORD)	X
54	192018200	CORD WITH TERMINAL (MOTOR GROUND)	X
55	8340040001	WASHER (TEETH LOCK)	X
56	8084043081	SCREW (TRUSS TAPPING 4X8)	X
57	605503201	THERMISTER (EVAPORATOR)	X
58	422305000	HOLDER (THERMISTER AT EVAPORATOR)	X
59	8080042062	SCREW (TAPPING)	X
60	605503301	THERMISTER (WIRE CONDENSER)	X
61	410110200	CAP (THERMISTER)	X
62	645105900	FASTENER	X
63	191226320	DC CORD ASSEMBLY	X
64	191213340	AC CORD ASSEMBLY	X
65	161008120	COOLING UNIT (CFC FREE)	X
66	322005310	HOLDER (CONDENSER WASHER)	X
67	8071043163	SCREW (TAPPING)	X
68	8083043121	SCREW (TAPPING)	X
69	8340040001	WASHER (TEETH LOCK)	X
70	42206700	EVAPORATOR HOLDER CLIP (U-SHAPED)	X
71	8080044162	SCREW (TAPPING)	X
		PART IS NO LONGER AVAILABLE	