



PARTS LIST

DC0751 SERIES

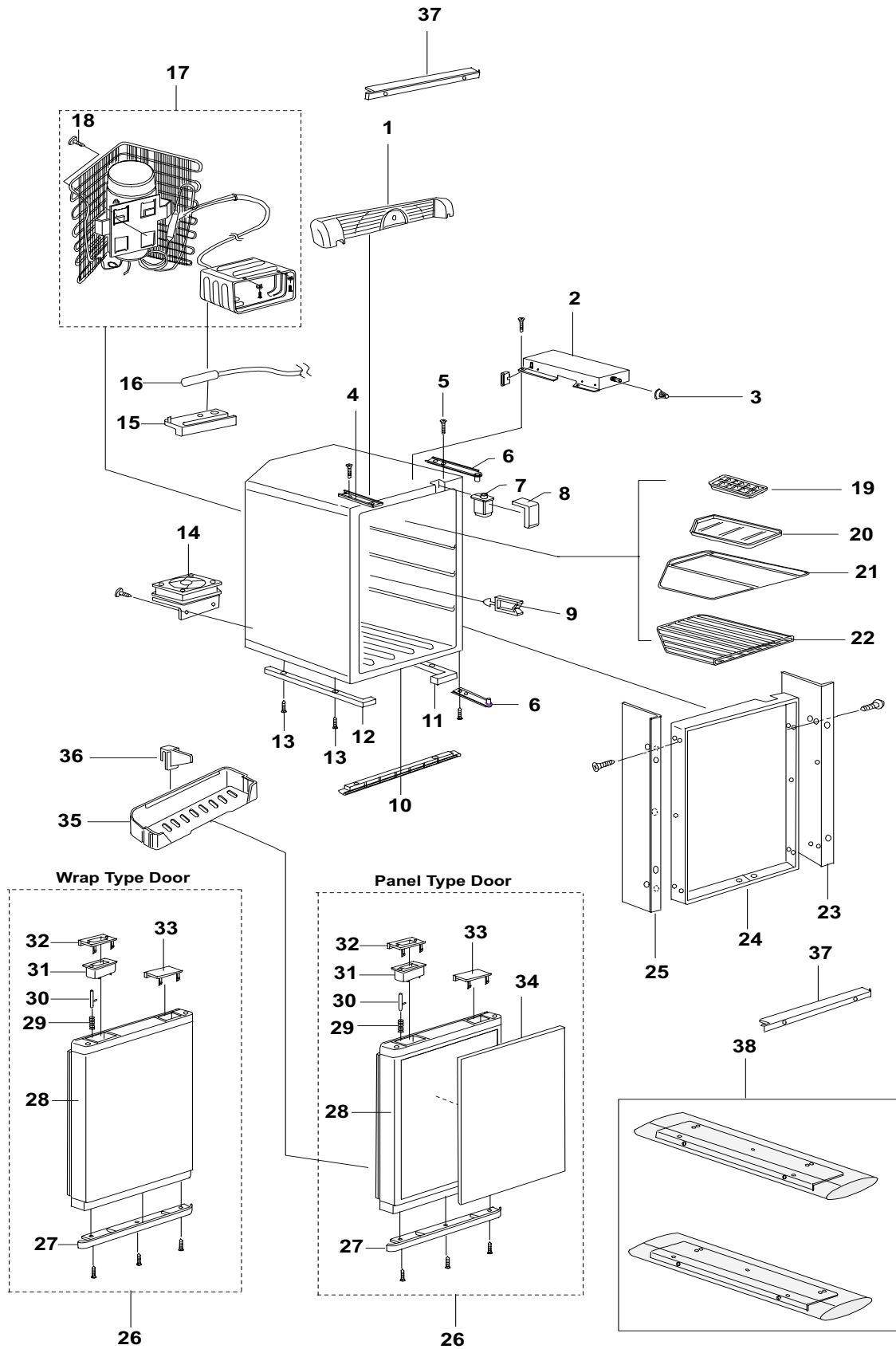
DC0751B (Panel Type Door - Black)

DC0751S (Panel Type Door - Stainless)

DC0751W (Wrap Type Door - Stainless)

PART # 632358
NORCOLD 12/12/2007

REFRIGERATOR ASSEMBLY - DC0751 SERIES



REFRIGERATOR ASSEMBLY - DC0751 SERIES

NO.	PART #	DESCRIPTION	DC0751B	DC0751S	DC0751W
1	422513800	COVER-CONTROL/BLACK	X		
	422513810	COVER-CONTROL/STAINLESS		X	X
2	163010702	POWER SUPPLY-DC	X	X	X
3	160220100	KNOB-THERMOSTAT	X	X	X
4	300207400	PLATE LATCH	X	X	X
5	501042700	BOLT/SCREW	X	X	X
6	160932620	HINGE	X	X	X
7	416027200	BUSHING-RUBBER/CABINET/COOLING UNIT TUBING	X	X	X
8	404006300	BUSHING-"I"/PLASTIC/CABINET/COOLING UNIT TUBING	X	X	X
9	645109400	HOLDER-SHELF/REAR	X	X	X
10	422601500	FRAME-CABINET BOTTOM/BLACK	X		
	422601510	FRAME-CABINET BOTTOM/STAINLESS		X	X
11	427401100	SUPPORT-LOWER CABINET/RH	X	X	X
12	427401000	SUPPORT-LOWER CABINET/LH	X	X	X
13	80830431610	SCREW-BOTTOM LEG	X	X	X
14	160928900	FAN ONLY-50 CYCLE/40 WATT	X	X	X
15	422305000	HOLDER-THERMISTER/AT EVAPORATOR	X	X	X
16	605505420	THERMISTER-EVAPORATOR	X	X	X
17	161011310	COOLING UNIT	X	X	X
18	500013600	SCREW	X	X	X
19	160203000	ICE CUBE TRAY	X	X	X
20	433003800	DRAINAGE PAN	X	X	X
21	523003510	SHELF-UPPER/HOLDS DRAINAGE PAN	X	X	X
22	523003500	SHELF-LOWER	X	X	X
23	323012720	FRAME-CABINET SIDE/RH/BLACK	X		
	323012730	FRAME-CABINET SIDE/RH/STAINLESS		X	X
24	322376401	COVER-CABINET FRAME/FRONT/4 SIDES	X	X	X
25	323012620	FRAME-CABINET SIDE/LH/BLACK	X		
	323012630	FRAME-CABINET SIDE/LH/STAINLESS		X	X
26	160057800	DOOR ASSY-WITHOUT DOOR POCKET/PANEL TYPE/BLACK	X		
	160057810	DOOR ASSY-WITHOUT DOOR POCKET/PANEL TYPE/STAINLESS		X	
	160057820	DOOR ASSY-WITHOUT DOOR POCKET/WRAP TYPE/STAINLESS			X
27	422603600	DOOR FRAME COVER-BOTTOM/BLACK	X		
	422603610	DOOR FRAME COVER-BOTTOM/STAINLESS		X	X
28	160949000	DOOR FRAME ASSY-PANEL TYPE/BLACK (FOAM LINER)	X		
	160949010	DOOR FRAME ASSY-PANEL TYPE/STAINLESS (FOAM LINER)		X	
	160949200	DOOR FRAME ASSY-WRAP TYPE/STAINLESS (FOAM LINER)			X
29	520004410	SPRING-TRAVEL LATCH	X	X	X
30	505503420	PIN LATCH	X	X	X

Continued on Page 4

REFRIGERATOR ASSEMBLY - DC0751 SERIES (Continued from Page 3)

NO.	PART #	DESCRIPTION	DC0751B	DC0751S	DC0751W
31	422513900	HANDLE-DOOR/BLACK	X		
	422513910	HANDLE-DOOR/STAINLESS		X	X
32	422114500	COVER LATCH-BLACK	X		
	422114510	COVER LATCH-STAINLESS		X	X
33	422114600	COVER PLATE-BLACK	X		
	422114610	COVER PLATE-STAINLESS		X	X
34	302313350	DOOR PANEL-BLACK	X		
	302313360	DOOR PANEL-STAINLESS		X	
35	422508810	DOOR POCKET-DOOR SHELF BIN	X	X	X
36	422508610	PARTITION-DOOR POCKET	X	X	X
37	323012100	FRAME-CABINET/TOP/BOTTOM/BLACK	X		
	323012110	FRAME-CABINET/TOP/BOTTOM/STAINLESS		X	X
38	323012600	FRAME-CABINET/LH/FLUSH MOUNT KIT/BLACK/0751	X		
	323012610	FRAME-CABINET/LH/FLUSH MOUNT KIT/STAINLESS/0751		X	X
	323012700	FRAME-CABINET/RH/FLUSH MOUNT KIT/BLACK/0751	X		
	323012710	FRAME-CABINET/RH/FLUSH MOUNT KIT/STAINLESS/0751		X	X
NS	606901100	FERRITE CORE	X	X	X

NS = NOT SHOWN