



PARTS LIST

DC68/DC85/DC41 SERIES (L4)

DC68 SERIES

DC6843
DC6844
DC6845
DC6846

DC85 SERIES

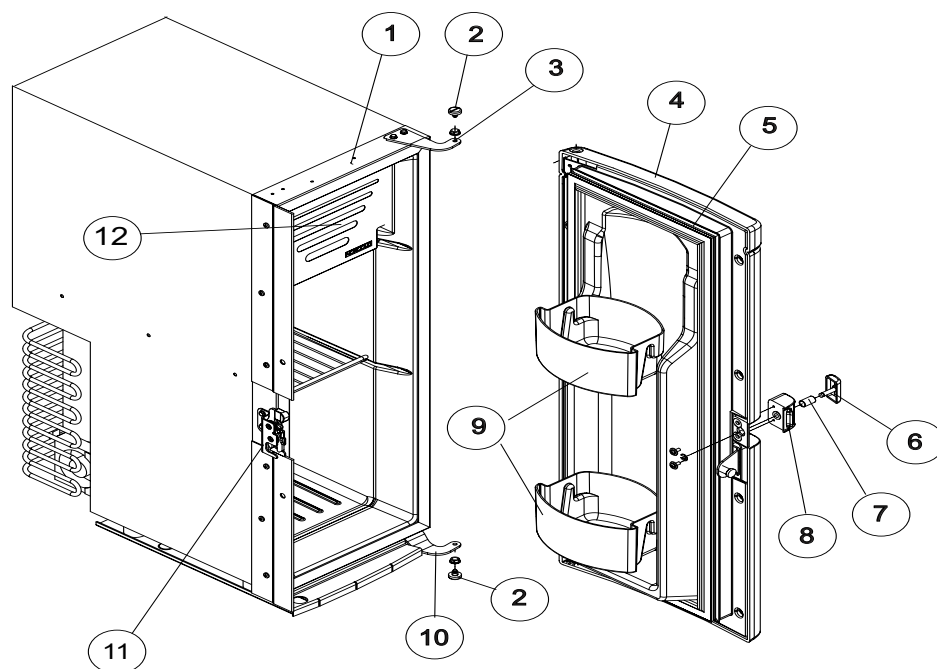
DC8511
DC8512

DC41 SERIES

DC4100
DC4101
DC4102
DC4103

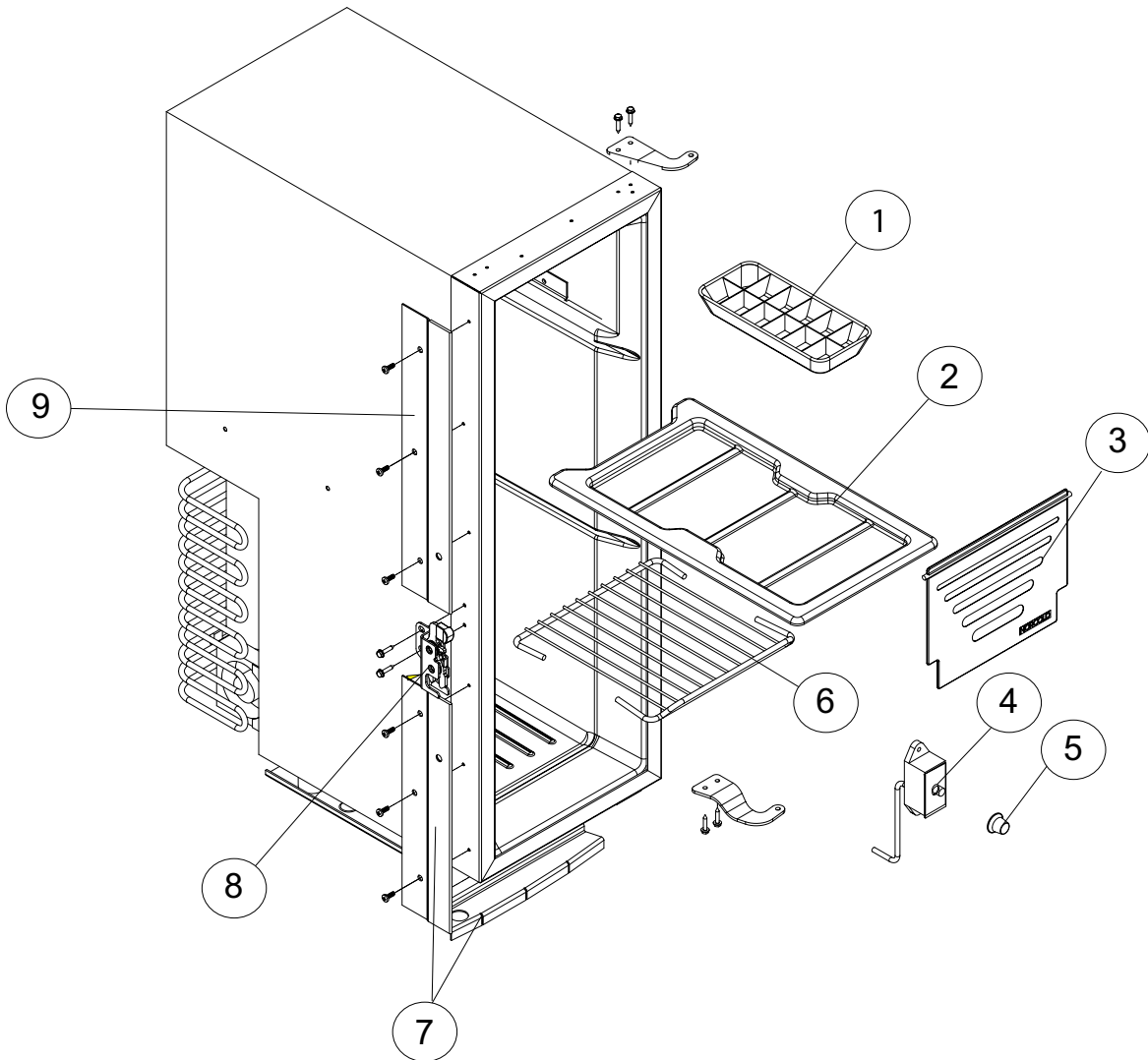
PART # 624213
NORCOLD 07/16/2007

FRONT VIEW - DOOR AND CABINET PARTS - DC68/DC85/DC41 SERIES



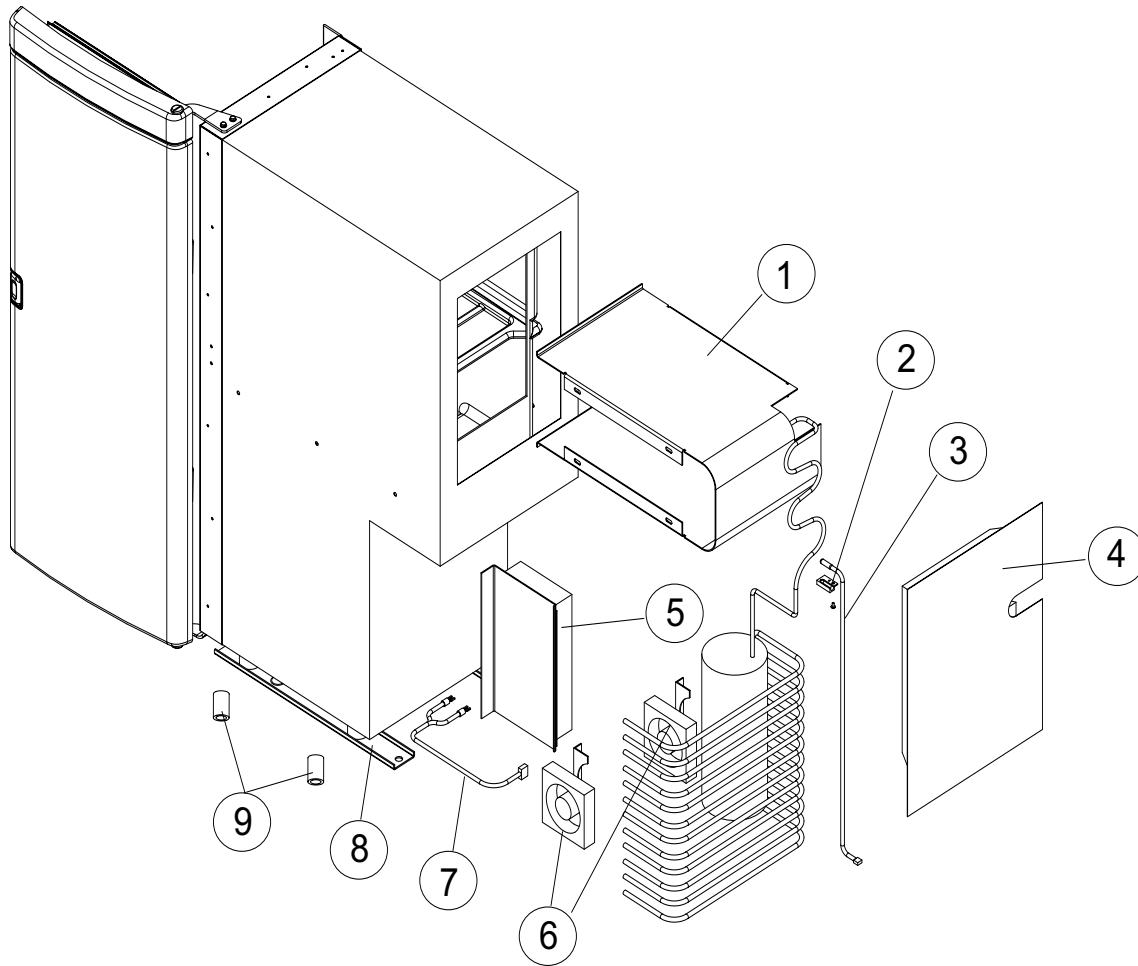
NO	PART #	DESCRIPTION	MODELS
1	323011200	FRAME-CABINET/COVER/UPPER/LOWER	ALL
2	505503600	HINGE PIN	ALL
3	304112800	PLATE-HINGE/UPPER	ALL
4	160119120	DOOR ASSY-WARM GRAY/GRAY INSERT	DC6843
	160119130	DOOR ASSY-WARM GRAY/BURL WOOD INSERT	DC6844
	160119140	DOOR ASSY-CHARCOAL/BRUSHED SILVER INSERT	DC6845
	160119150	DOOR ASSY-CHARCOAL/GALLOWAY BURL INSERT	DC6846
	160119100	DOOR ASSY-GRAY/PALLADIUM INSERT (SILVER)	DC8511
	160119110	DOOR ASSY-GRAY/WOOD INSERT	DC8512
	160120300	DOOR ASSY-GRAY/PALLADIUM INSERT (SILVER)	DC4100
	160120310	DOOR ASSY-GRAY/WOOD INSERT	DC4101
	160120330	DOOR ASSY-TAN/PALADIUM INSERT	DC4102
	160120320	DOOR ASSY-TAN/WOOD INSERT	DC4103
	160120340	DOOR ASSY-TAN/BRICK (RED)	DC4104
5	414803600	DOOR GASKET	ALL
6	422512010	PUSH BUTTON-DOOR LATCH/GRAY(REDDISH)	DC6843, DC6844
	422512020	PUSH BUTTON-DOOR LATCH/DARK CHARCOAL	DC6845, DC6846
	422512000	PUSH BUTTON-DOOR LATCH/GRAY	DC8511, DC8512, DC4100, DC4101
	422512030	PUSH BUTTON-DOOR LATCH/TAN	DC4102, DC4103, DC4104,
7	52000450020	SPRING-DOOR LATCH	ALL
NS	858005200	CLIP-SPRING RETAINING/DOOR LATCH (NOT SHOWN)	ALL
8	422512110	RECEPTACLE-PUSH BUTTON/DOOR LATCH/WARM GRAY	DC6843, DC6844
	422512120	RECEPTACLE-PUSH BUTTON/DOOR LATCH/DARK CHARCOAL	DC6845, DC6846
	422512100	RECEPTACLE-PUSH BUTTON/DOOR LATCH/GRANITE	DC851, 1 DC8512
	422512130	RECEPTACLE-PUSH BUTTON/DOOR LATCH/GRANITE	DC4100, DC4101
	422512140	RECEPTACLE-PUSH BUTTON/DOOR LATCH/TAN	DC4102, DC4103, DC4104
9	422511600	DOOR POCKET-DOOR SHELF BIN	ALL
10	304112900	PLATE-HINGE/LOWER	ALL
11	160227500	LATCH ASSY	ALL
12	422511900	EVAPORATOR DOOR	ALL

FRONT VIEW - INNER CABINET PARTS - DC68/DC85/DC41 SERIES



NO	PART #	DESCRIPTION	MODELS
1	160203000	ICE CUBE TRAY	ALL
2	433004400	DRAINAGE PAN	ALL
3	422511900	EVAPORATOR DOOR	ALL
4	160119200	THERMOSTAT	ALL
5	160206700	KNOB-THERMOSTAT/61729422	ALL
6	523004200	SHELF	ALL
7	160946200	PLATE ASSEMBLY-TRIM	ALL
8	160227500	LATCH ASSY	ALL
9	322398200	PLATE-TRIM	ALL

REAR VIEW - DC68/DC85/DC41 SERIES



PART #	DESCRIPTION	MODELS
161013200	COOLING UNIT	ALL
422305000	HOLDER-THERMISTER/AT EVAPORATOR	ALL
605505450	THERMISTER-EVAPORATOR	ALL
439014900	HEAT INSULATOR	ALL
163011000	POWER SUPPLY-DC/NO COUPLER ASSY	ALL
160928900	FAN ONLY-50 CYCLE/40 WATT (2 PER REFRIGERATOR)	ALL
190279800	COUPLER ASSY-DC INPUT	ALL
322397410	SUPPORT-RAIL/BOTTOM	ALL
360907110	SPACER-BOTTOM SUPPORT RAIL	ALL