

RV Toilet Service Parts for Aria CLASSIC

Mechanism Assembly

Tools Needed

- 7/16 wrench
- Adjustable wrench
- Flat-blade screwdriver • Towels
- Short Phillips screwdriver • Pliers

Note

- Read all instructions before beginning work.
- Avoid contact with human waste by wearing protective items such as gloves, glasses, long sleeves and nose/face mask. Wash toilet area you will be working on.
- To reduce holding tank odor: Rinse toilet with at least 1 gallon of water. Drain Holding Tank. Add appropriate dose of Thetford Holding Tank Deodorant.

Remove Toilet

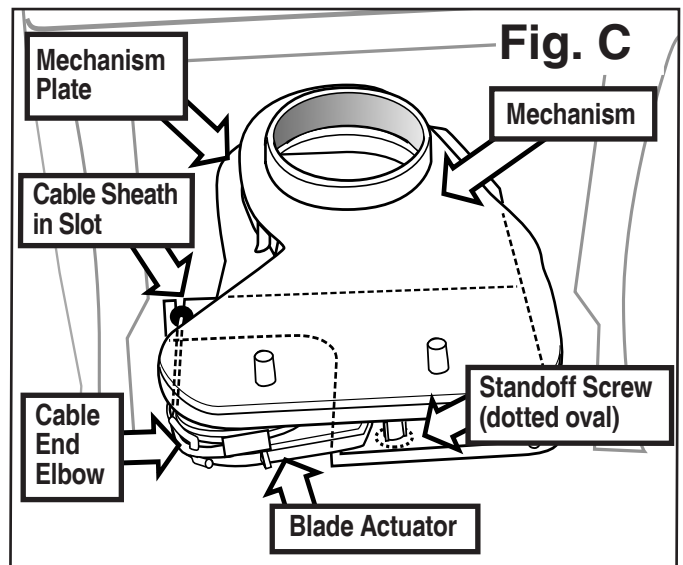
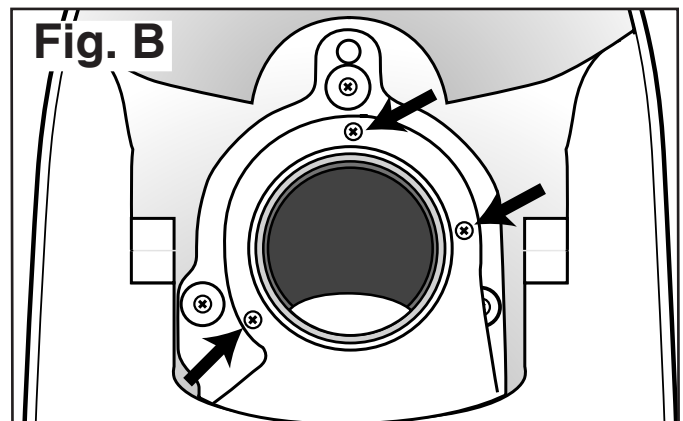
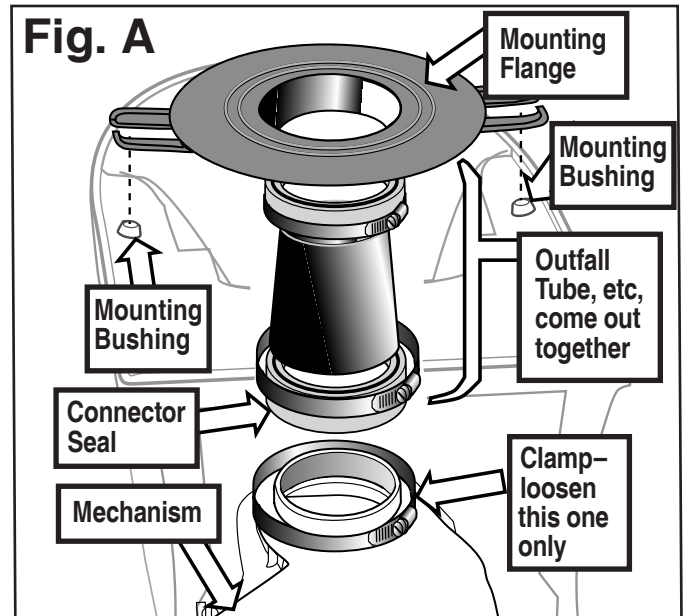
1. Turn off RV water supply per RV Owner's Manual.
2. Pry off Bolt Caps with flat-blade screwdriver. Use wrench to remove 7/16 -inch Lag Screws.
3. Disconnect Water Supply Line with adjustable wrench.
4. Place an old towel or soft cloth on work surface. Remove Toilet from floor and place upside down, with back facing you, on work surface. Instructions below (left, right, etc.) will assume this orientation.
5. Remove old Closet Flange Seal (may be found on Toilet or in floor at Closet Flange). Discard.
6. Cover Holding Tank opening to contain odor.

To Remove Old Mechanism

1. Loosen Clamp closest to Mechanism to remove Mounting Flange, Mounting Bushings, Outfall Tube (high-profile units only) and Connector Seal (Fig. A).
2. Using Phillips screwdriver, remove three screws (without washers) attaching Mechanism to Mechanism Plate (Fig. B).
3. Using short Phillips screwdriver, remove standoff screw securing Mechanism to Mechanism Plate (Fig. C, lower).
4. Disengage left-side Cable Sheath Fitting from Mechanism Plate (Fig. C, lower).
5. Lift and slide Mechanism out.
6. Tilt Mechanism to disengage Cable end elbow from hole in Blade Actuator (Fig. C, lower). Discard old Mechanism.

To Install New Mechanism

1. Engage Cable end elbow in new Mechanism arm hole.
2. Slide/lower new Mechanism onto lip of Mechanism Plate.



(Note: Do not crimp or pinch wire during process.) Seat Mechanism.

3. Replace three screws to attach Mechanism to Mechanism Plate (Fig. B).
4. Replace standoff screw securing Mechanism to Mechanism Plate (Fig. C, lower).
5. Snap Cable Sheath Fitting into slot. Secure by tapping into place with screwdriver.
6. Replace Mounting Flange, Mounting Bushings, Out-fall Tube (high-profile units only) and Connector Seal (Fig. A).

To Reinstall Toilet To Floor

1. Install new Closet Flange Seal to Toilet Mounting Flange, lip side outward. Friction holds it in place.
2. Keeping Mechanism Blade open to assure holes line up, position Toilet over Closet Flange.
3. Reconnect Water Supply Line.
4. Bolt Toilet to floor with Lag Screws. Tighten.
5. Turn on RV's water supply. Flush test. Fill bowl and wait long enough to make sure toilet holds water.
6. Install Bolt Caps.

