



# PARTS LIST

---

A diagram consisting of a horizontal line at the top, a vertical line extending downwards from its center, and a curved line that starts from the vertical line and arcs to the right, ending at the top-left corner of a rectangular callout box.

**DCL5000 SERIES**

**DCL5001**

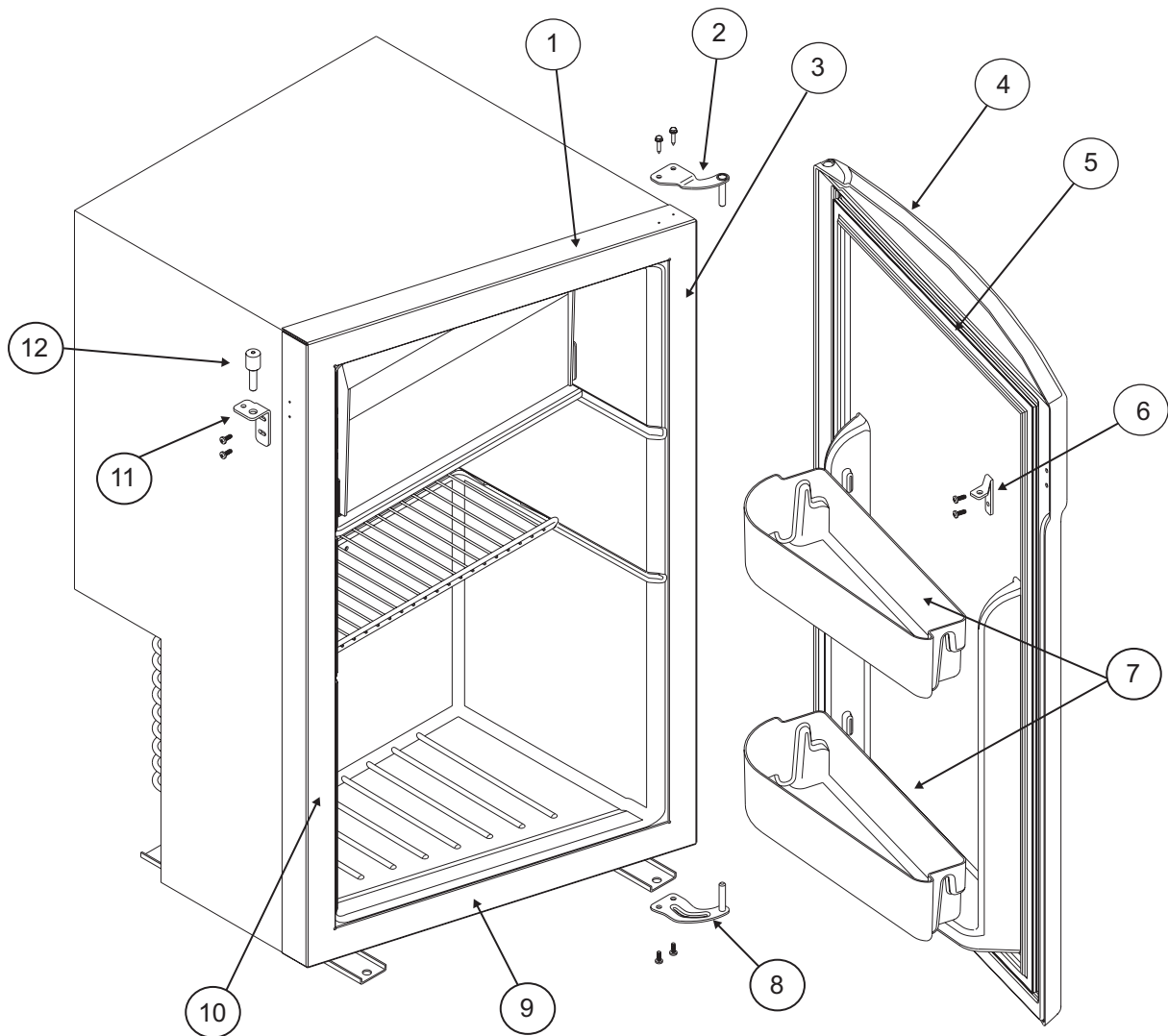
**DCL5002**

**DCL5003**

---

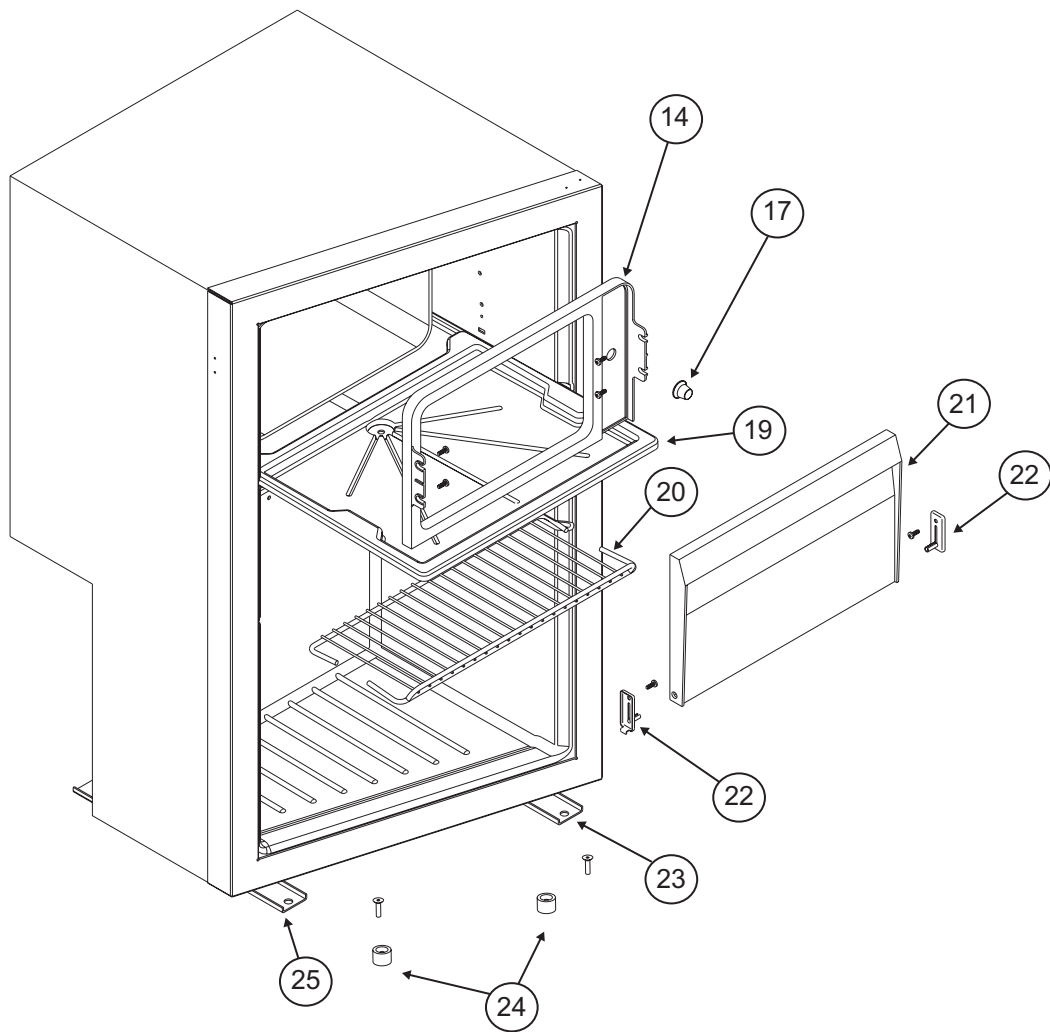
**PART # 634382**  
**NORCOLD 1/6/2012**

# FRONT VIEW - DOOR AND CABINET PARTS



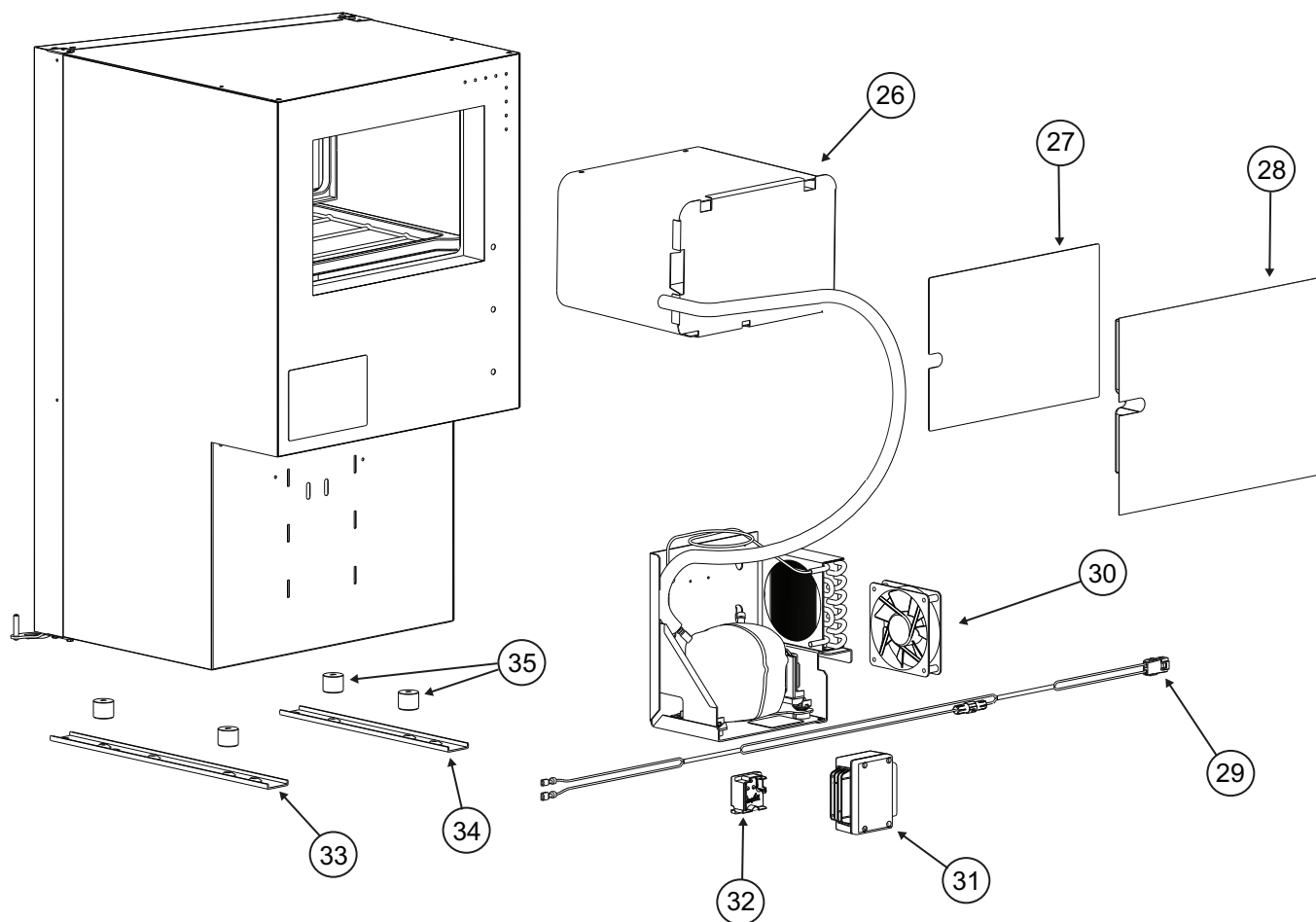
| NO. | PART #        | DESCRIPTION                              | MODEL   |
|-----|---------------|--|---------|
| 1   | 3230 109 0040 | FRAME-CABINET/COVER/UPPER                | ALL     |
| 2   | 1609 452 0000 | HINGE ASSY-UPPER                         | ALL     |
| 3   | 3230 110 1040 | FRAME-CABINET/COVER/RH                   | ALL     |
| 4   | 634370        | DOOR ASSEMBLY-FOAMED-GRAY                | DCL5001 |
|     | 634371        | DOOR ASSEMBLY-FOAMED-TAN                 | DCL5002 |
|     | 634902        | DOOR ASSEMBLY-FOAMED-BROWN               | DCL5003 |
| 5   | 4148 036 1020 | DOOR GASKET-FRESH FOOD DOOR (USE 633745) | ALL     |
|     | 633745        | DOOR GASKET-FRESH FOOD DOOR              | ALL     |
| 6   | 3220 659 0010 | PLATE-DOOR LATCH (STRIKE PLATE)          | ALL     |
| 7   | 4225 117 0010 | DOOR BIN                                 | ALL     |
| 8   | 1609 453 0000 | HINGE ASSY-LOWER                         | ALL     |
| 9   | 3230 116 0040 | FRAME-CABINET/COVER/LOWER                | ALL     |
| 10  | 3230 110 0030 | FRAME-CABINET/COVER/LH                   | ALL     |
| 11  | 3220 660 0010 | PLATE-CABINET LATCH                      | ALL     |
| 12  | 634768        | TRAVEL PIN ASSY                          | ALL     |
|     |               | PART IS NO LONGER AVAILABLE              |         |

## FRONT VIEW - INNER CABINET PARTS



| NO. | PART #        | DESCRIPTION                     | MODEL |
|-----|---------------|---------------------------------|-------|
| 14  | 4226 030 0010 | FRAME-EVAPORATOR                | ALL   |
| 15  | 634373        | THERMOSTAT                      | ALL   |
| 17  | 61748722      | KNOB                            | ALL   |
| 19  | 633659        | DRAINAGE PAN                    | ALL   |
| 20  | 5230 043 0009 | SHELF                           | ALL   |
| 21  | 633665        | FREEZER DOOR ASSY               | ALL   |
| 22  | 1609 048 0000 | HINGE-EVAPORATOR DOOR           | ALL   |
| 23  | 3223 974 0020 | SUPPORT RAIL-CABINET RH (LONG)  | ALL   |
| 24  | 3609 071 0010 | SPACER-BOTTOM SUPPORT RAIL      | ALL   |
| 25  | 3223 974 1020 | SUPPORT RAIL-CABINET LH (SHORT) | ALL   |

## REAR VIEW



| NO. | PART #        | DESCRIPTION                             | MODEL |
|-----|---------------|---|-------|
| 26  | 634043        | COOLING UNIT                            | ALL   |
| 27  | 633662        | PLASTIC PLATE (USE 634348)              | ALL   |
|     | 634873        | PLASTIC PLATE                           | ALL   |
| 28  | 633663        | FOAMED SYSTEM PLUG                      | ALL   |
| 29  | 634743        | DC LEADS (USE 635348)                   | ALL   |
|     | 635348        | DC LEADS                                | ALL   |
| 30  | 634664        | FAN                                     | ALL   |
| 31  | 634820        | CONTROL MODULE                          | ALL   |
| 32  | 634821        | CONTROL MODULE MOUNTING KIT             | ALL   |
| 33  | 3223 974 0020 | SUPPORT RAIL-CABINET LH (LONG)          | ALL   |
| 34  | 3223 974 1020 | SUPPORT RAIL-CABINET RH (SHORT)         | ALL   |
| 35  | 3609 071 0010 | SPACER-BOTTOM SUPPORT RAIL              | ALL   |
| NS  | 634373        | THERMOSTAT W/NUT                        | ALL   |
| NS  | 634822        | COMPRESSOR CONTROL REMOTE CABLE         | ALL   |
| NS  | 634384        | THERMOSTAT WIRE W/RESISTOR (USE 635349) | ALL   |
|     | 635349        | THERMOSTAT WIRE                         | ALL   |

PART IS NO LONGER AVAILABLE

NS = NOT SHOWN