



PARTS LIST

DE351/EV351 SERIES

DE351D

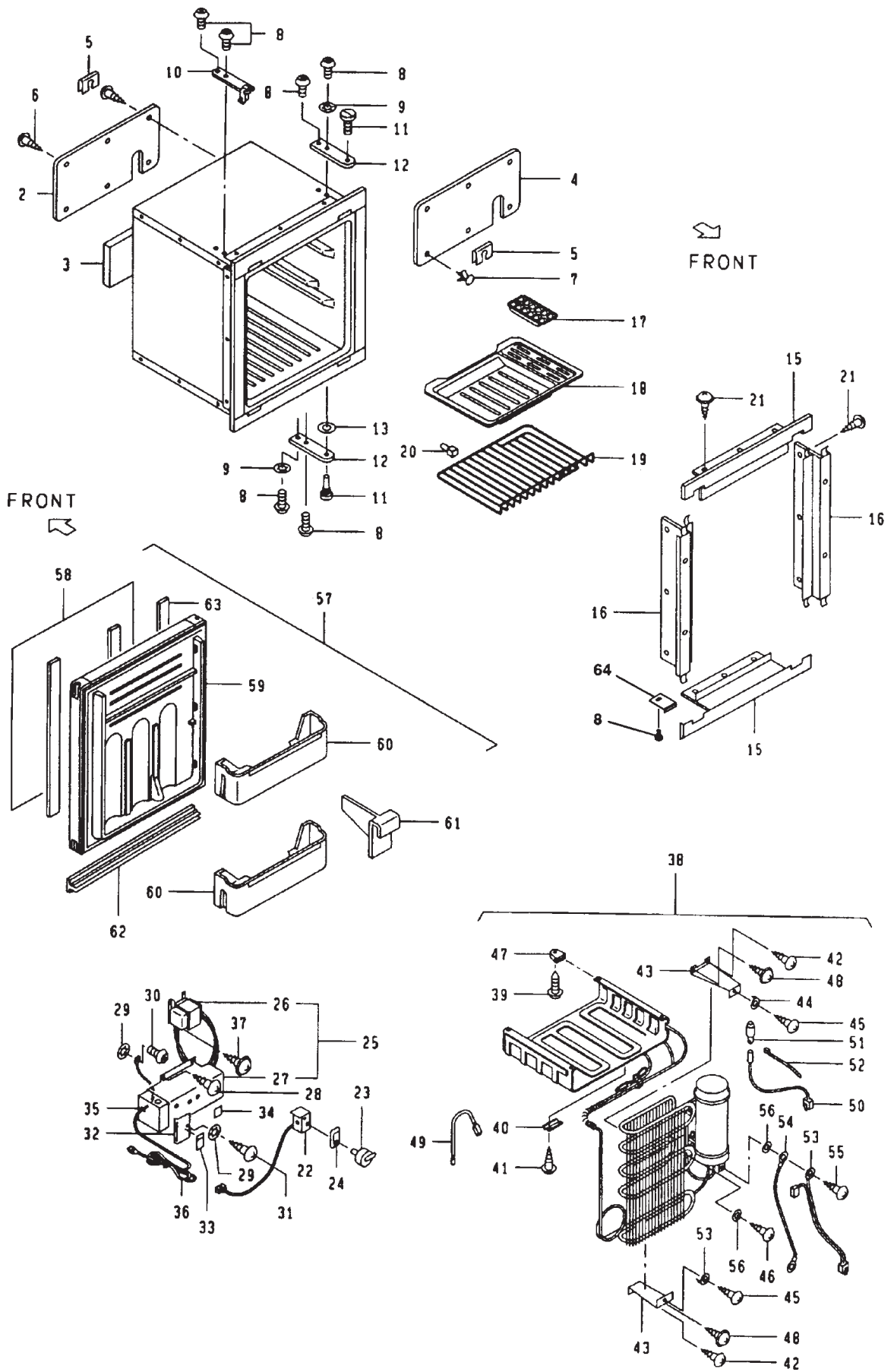
DE351F

EV351D

DE350D

PART # 619726
NORCOLD 11/08/2011

REFRIGERATOR ASSEMBLY - DE351D/DE351F/EV351D



REFRIGERATOR ASSEMBLY - DE351D/DE351F/EV351D

NO.	PART #	DESCRIPTION	DE351D	DE351F	EV351D
2	161212400	BLIND PLATE	X	X	X
3	439010400	HEAT INSULATOR	X	X	X
4	430307100	PLATE-"I"	X	X	X
5	416004200	BUSHING-FOR BLIND PLATE	X	X	X
6	80830441210	SCREW-TRUSS TAPPING/M4x12	X	X	X
7	645100510	FASTENER-PLASTIC RIVET	X	X	X
8	8050050104	SCREW	X	X	
9	83400500010	WASHER-TEETH LOCK	X	X	
10	160924300	HOLDER ASSY-TRAVEL LATCH	X	X	X
11	505502330	HINGE PIN-0.625"	X	X	X
12	304111000	PLATE-HINGE (USE 304111020)	X	X	X
13	8300087001	WASHER	X	X	X
15	323008500	CABINET FRAME-BLACK/TOP/BOTTOM (USE 160925800)	X		X
16	323008600	CABINET FRAME-BLACK/SIDES (USE 160925800)	X		X
	160925800	CABINET FRAME ASSY-FOUR SIDES	X	X	X
17	160203000	ICE CUBE TRAY	X	X	X
18	433001401	DRAINAGE PAN	X	X	X
19	523003210	SHELF	X	X	X
20	645109400	HOLDER-SHELF/REAR	X	X	X
21	80830441210	SCREW-TRUSS TAPPING/M4x12	X	X	X
22	160107260	THERMOSTAT	X	X	X
23	160206700	KNOB-THERMOSTAT	X	X	X
24	545020740	MARK-THERMOSTAT COVER	X	X	X
25	16011396007	KIT-POWER SUPPLY	X	X	
	16011393008	KIT-POWER SUPPLY			X
	160107000	POWER SUPPLY (USE 16011393008)			X
	160107100	POWER SUPPLY (USE 16011396007)	X	X	
26	196013100	TRANSFORMER ASSY (USE 16011396007)	X	X	
	196013110	TRANSFORMER ASSY (USE 16011393008)			X
27	163007800	OSCILLATOR ONLY (USE 16011396007)	X	X	
	163007700	OSCILLATOR ONLY (USE 16011393008)			X
28	80830441210	SCREW-TRUSS TAPPING/M4x12	X	X	X
29	834004000	WASHER-TEETH LOCK	X	X	X
30	8000040121	SCREW	X	X	X
31	80840430810	SCREW-TRUSS TAPPING/M4x8	X	X	X
32	322119100	COVER-DC WIRES	X	X	
32	322124500	COVER-DC WIRES			X
33	546017100	CAUTION PLATE (ON DC COVER)	X	X	

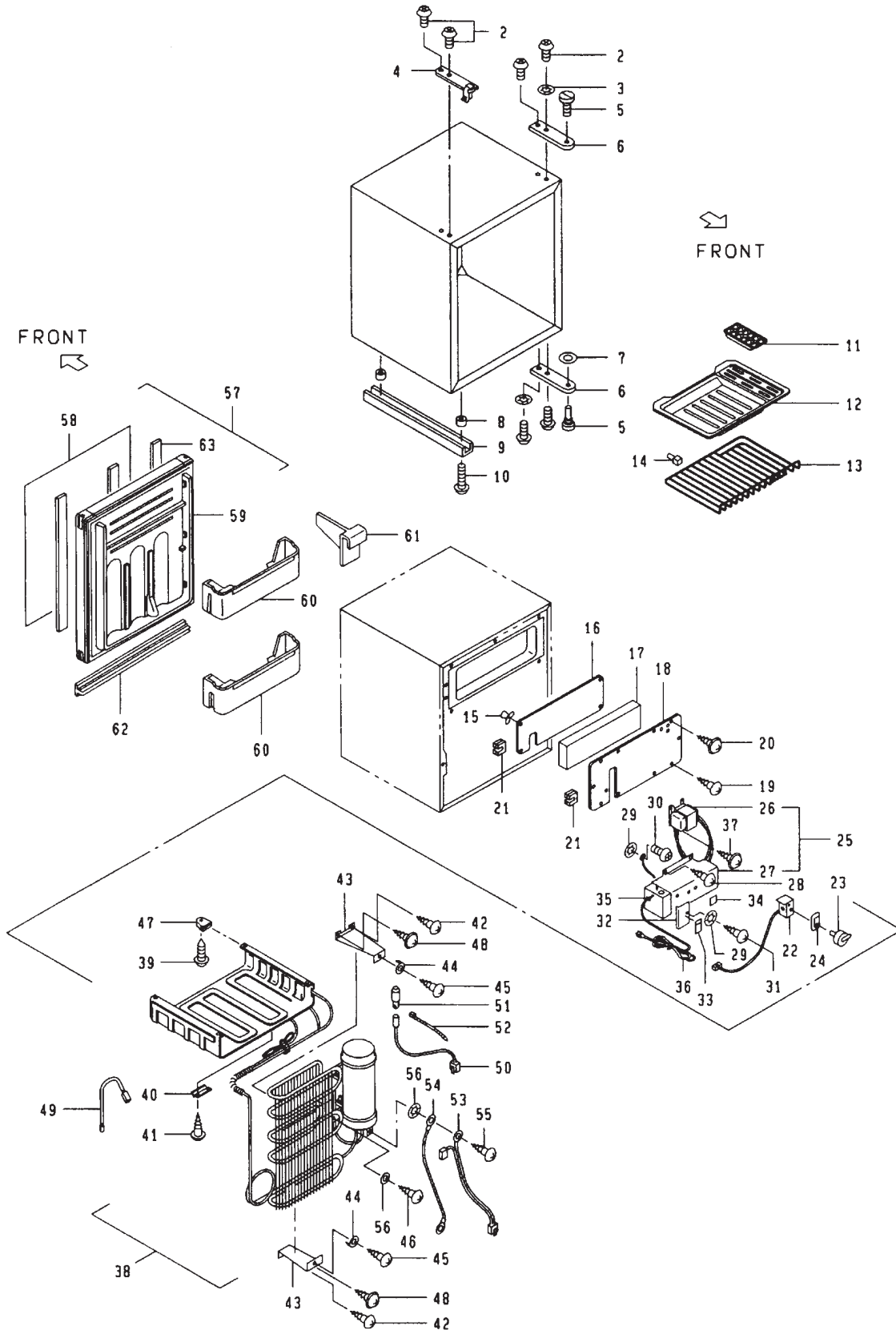
DE351/EV351 PARTS LIST CONTINUED ON PAGE 4

REFRIGERATOR ASSEMBLY - DE351D/DE351F/EV351D

(CONTINUED FROM PAGE 3)

NO.	PART #	DESCRIPTION	DE351D	DE351F	EV351D
34	546028000	CAUTION PLATE	X	X	
	546028900	CAUTION PLATE-POWER SUPPLY			X
35	601600010	GROMMET-STRAIN RELIEF	X	X	
36	191203410	CORD ASSY-AC	X	X	
	191217100	CORD ASSY-POWER			X
37	8073044121	SCREW-TAPPING/WITH TEETH LOCK WASHER	X	X	X
38	161008220	COOLING UNIT	X	X	
	161008200	COOLING UNIT			X
39	80800441620	SCREW-TAPPING/M4x16	X	X	X
40	422305000	HOLDER-THERMISTER/AT EVAPORATOR	X	X	X
41	8080043082	SCREW-TAPPING	X	X	X
42	80830441210	SCREW-TRUSS TAPPING/M4x12	X	X	X
43	321105900	HOLDER-COOLING UNIT	X	X	X
44	322005310	HOLDER-CONDENSER WASHER	X	X	X
45	8071043163	SCREW-TAPPING	X	X	X
46	80830431210	SCREW-TAPPING/M4x12	X	X	X
47	422006700	CLIP-EVAPORATOR HOLDER/U SHAPED	X	X	X
48	8073044121	SCREW-TAPPING/WITH TEETH LOCK WASHER	X	X	X
49	605503200	THERMISTER-EVAPORATOR (USE 605503201)	X	X	X
50	605503301	THERMISTER-WIRE CONDENSER	X	X	X
51	410110200	CAP-THERMISTER	X	X	X
52	645105900	FASTENER	X	X	X
53	190228630	COUPLER ASSY	X	X	X
54	192116605	CORD WITH TERMINAL-GROUND CORD	X	X	X
55	80840430810	SCREW-TRUSS TAPPING/M4x8	X	X	X
56	83400400010	WASHER-TEETH LOCK	X	X	X
57	160027600	DOOR ASSY-WITHOUT POCKETS	X	X	X
58	302311620	DOOR PANEL-BLACK	X	X	X
59	160923710	DOOR FRAME ASSY-FOAMED LINER	X	X	X
60	422508800	DOOR POCKET-DOOR SHELF BIN	X	X	X
61	422508600	PARTITION-DOOR POCKET	X	X	X
62	427602700	DOOR FRAME-BOTTOM/GRAY	X	X	X
63	412006670	CUSHION-DOOR PANEL	X	X	X
64	422107800	COVER PLATE-HINGE HOLE	X	X	X
NS	422101510	CAP-BLACK/INSTALLATION HOLES (NOT SHOWN)	X	X	X
NS	16092490009	FAN KIT ASSY (NOT SHOWN)	X	X	
NS	80500401040	SCREW-M4x10 (NOT SHOWN)			X

REFRIGERATOR ASSEMBLY - DE350D



REFRIGERATOR ASSEMBLY - DE350D

NO.	PART #	DESCRIPTION	DE350D
2	8050050104	SCREW	X
3	83400500010	WASHER-TEETH LOCK	X
4	160924300	HOLDER ASSY-TRAVEL LATCH	X
5	505502330	HINGE PIN-0.625"	X
6	304111000	PLATE-HINGE (USE 304111020)	X
7	8300087001	WASHER	X
8	412000800	CUSHION-RUBBER LEG	X
9	322301900	SUPPORT-BOTTOM RAIL	X
10	8010060401	SCREW	X
11	160203000	ICE CUBE TRAY	X
12	433001401	DRAINAGE PAN	X
13	523003210	SHELF	X
14	645109400	HOLDER-SHELF/REAR	X
15	645100510	FASTENER-PLASTIC RIVET	X
16	430307100	PLATE-"I"	X
17	439010400	HEAT INSULATOR	X
18	161212400	BLIND PLATE	X
19	80830441210	SCREW-TRUSS TAPPING/M4x12	X
20	8073044124	SCREW-TAPPING	X
21	416004200	BUSHING-FOR BLIND PLATE	X
22	160107260	THERMOSTAT	X
23	160206700	KNOB-THERMOSTAT	X
24	545020740	MARK-THERMOSTAT COVER	X
25	16011396007	KIT-POWER SUPPLY	X
	160107100	POWER SUPPLY (USE 16011396007)	X
26	196013100	TRANSFORMER ASSY (USE 16011396007)	X
27	163007800	OSCILLATOR ONLY (USE 16011396007)	X
28	80840430810	SCREW-TRUSS TAPPING/M4x8	X
29	834004000	WASHER-TEETH LOCK	X
30	8000040121	SCREW	X
31	80840430810	SCREW-TRUSS TAPPING/M4x8	X
32	322119100	COVER-DC WIRES	X
33	546017100	CAUTION PLATE (ON DC COVER)	X
34	546028000	CAUTION PLATE	X
35	601600010	GROMMET-STRAIN RELIEF	X
36	191203410	CORD ASSY-AC	X
37	8073044121	SCREW-TAPPING/WITH TEETH LOCK WASHER	X
38	161008220	COOLING UNIT	X

(CONTINUED ON PAGE 4)

REFRIGERATOR ASSEMBLY - DE350D

(CONTINUED FROM PAGE 3)

NO.	PART #	DESCRIPTION	DE350D
40	422305000	HOLDER-THERMISTER/AT EVAPORATOR	X
41	8080043082	SCREW-TAPPING	X
43	321105900	HOLDER-COOLING UNIT	X
43	80840430810	SCREW-TRUSS TAPPING/M4x8	X
44	322005310	HOLDER-CONDENSER WASHER	X
45	8071043163	SCREW-TAPPING	X
46	80830431210	SCREW-TAPPING/M4x12	X
47	422006700	CLIP-EVAPORATOR HOLDER/U SHAPED	X
48	8073044121	SCREW-TAPPING/WITH TEETH LOCK WASHER	X
49	605503200	THERMISTER-EVAPORATOR (USE 605503201)	X
50	605503301	THERMISTER-WIRE CONDENSER	X
51	410110200	CAP-THERMISTER	X
52	645105900	FASTENER	X
53	190228630	COUPLER ASSY	X
54	192116605	CORD WITH TERMINAL-GROUND CORD	X
55	80840430810	SCREW-TRUSS TAPPING/M4x8	X
56	83400400010	WASHER-TEETH LOCK	X
57	160027600	DOOR ASSY-WITHOUT POCKETS	X
58	302311620	DOOR PANEL-BLACK	X
59	160923710	DOOR FRAME ASSY-FOAMED LINER	X
60	422508800	DOOR POCKET-DOOR SHELF BIN	X
61	422508600	PARTITION-DOOR POCKET	X
62	427602700	DOOR FRAME-BOTTOM/GRAY	X
63	412006670	CUSHION-DOOR PANEL	X
NS	16092490009	FAN KIT ASSY (NOT SHOWN)	X
		PART IS NO LONGER AVAILABLE	