

# Top Line Euro

## Recessed Mount Cook Top



Defining European styling and functionality, Top Line Euro mounts flush to counter, glass lid covers burners for a clean, streamlined kitchen counter

**SPINFLO**  
by **THETFORD**

# Top Line Euro

## Recessed Mount Cook Top

Mounts flush with counter with lid for clean, streamlined counter appearance, surface mount also available

Solid, no rattle design

Optional glass colors, lid colors and knobs available to match decors

Optional stainless steel mounting frame

Optional Chinchilla glass lid doubles as kitchen work surface

12V electronic ignition

Flame failure auto gas shut off

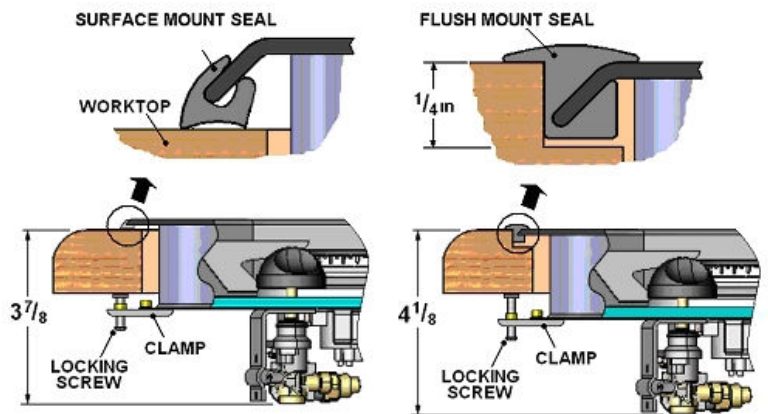
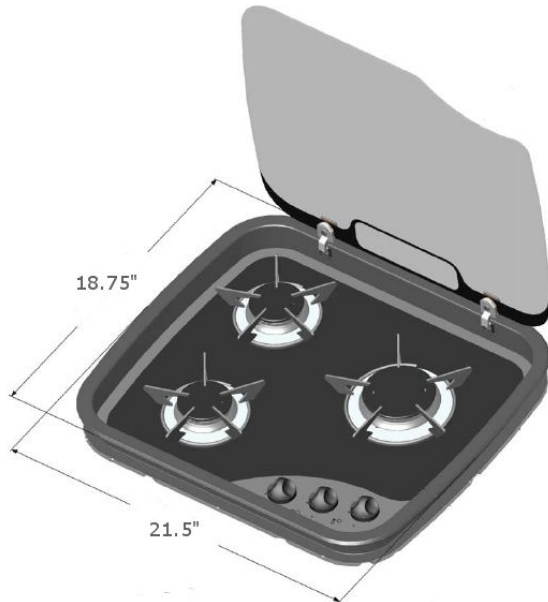
Sealed burners are metal castings rather than pressed metal for improved durability and cleanability

2 year limited warranty

### Model SHB16950Y

Black center glass with stainless effect trim, Black mounting frame, Flush mount seal, Smoke glass lid, Black knobs, 12V Ignition, Burner 1 – 9,800 Btu max, Burner 2 & 3 – 6,300 Btu max

25.2 lbs. Net Weight, 27.2 lbs. Shipping Weight



# SPINFLO

by **THETFORD**