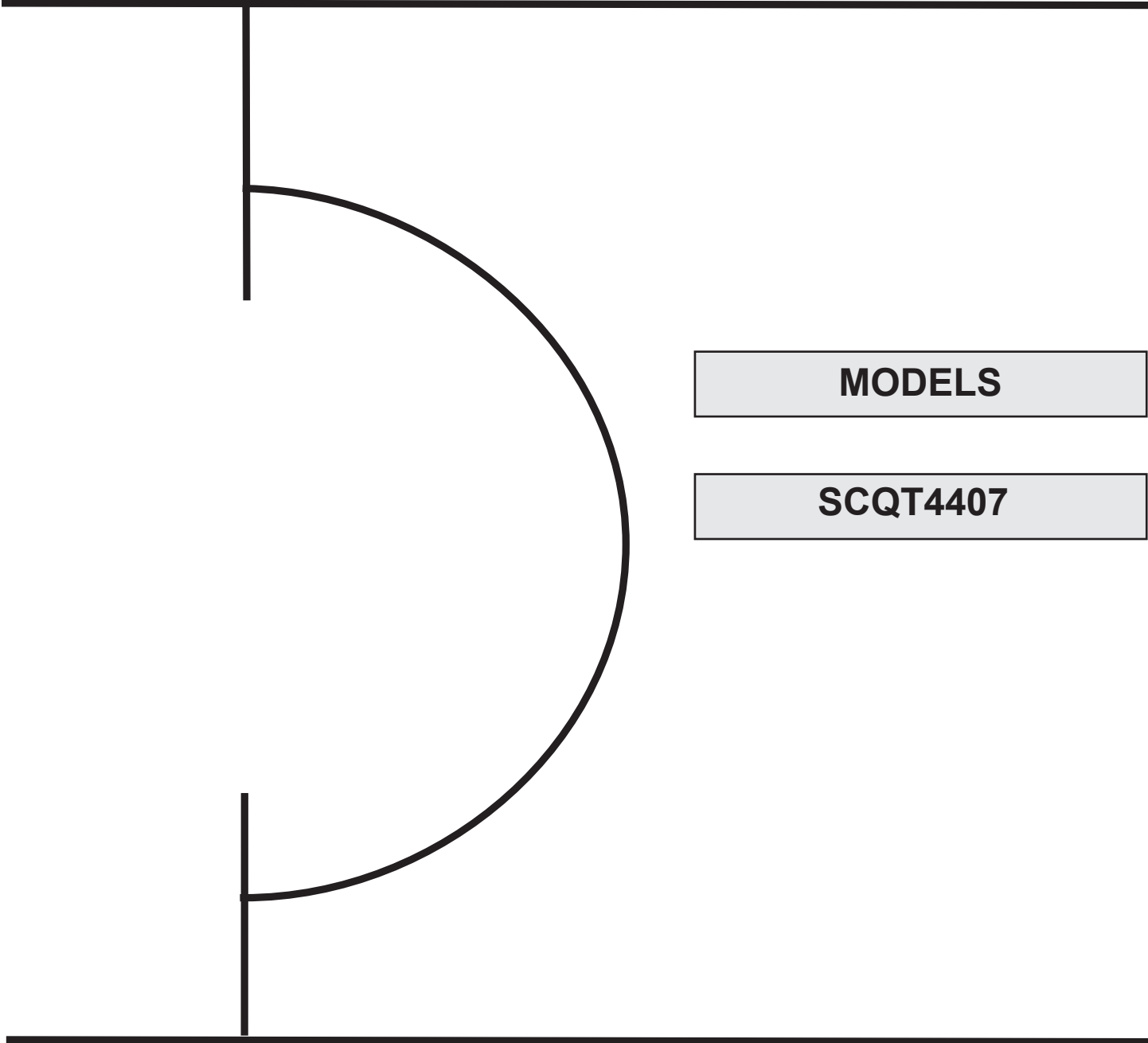




PARTS LIST

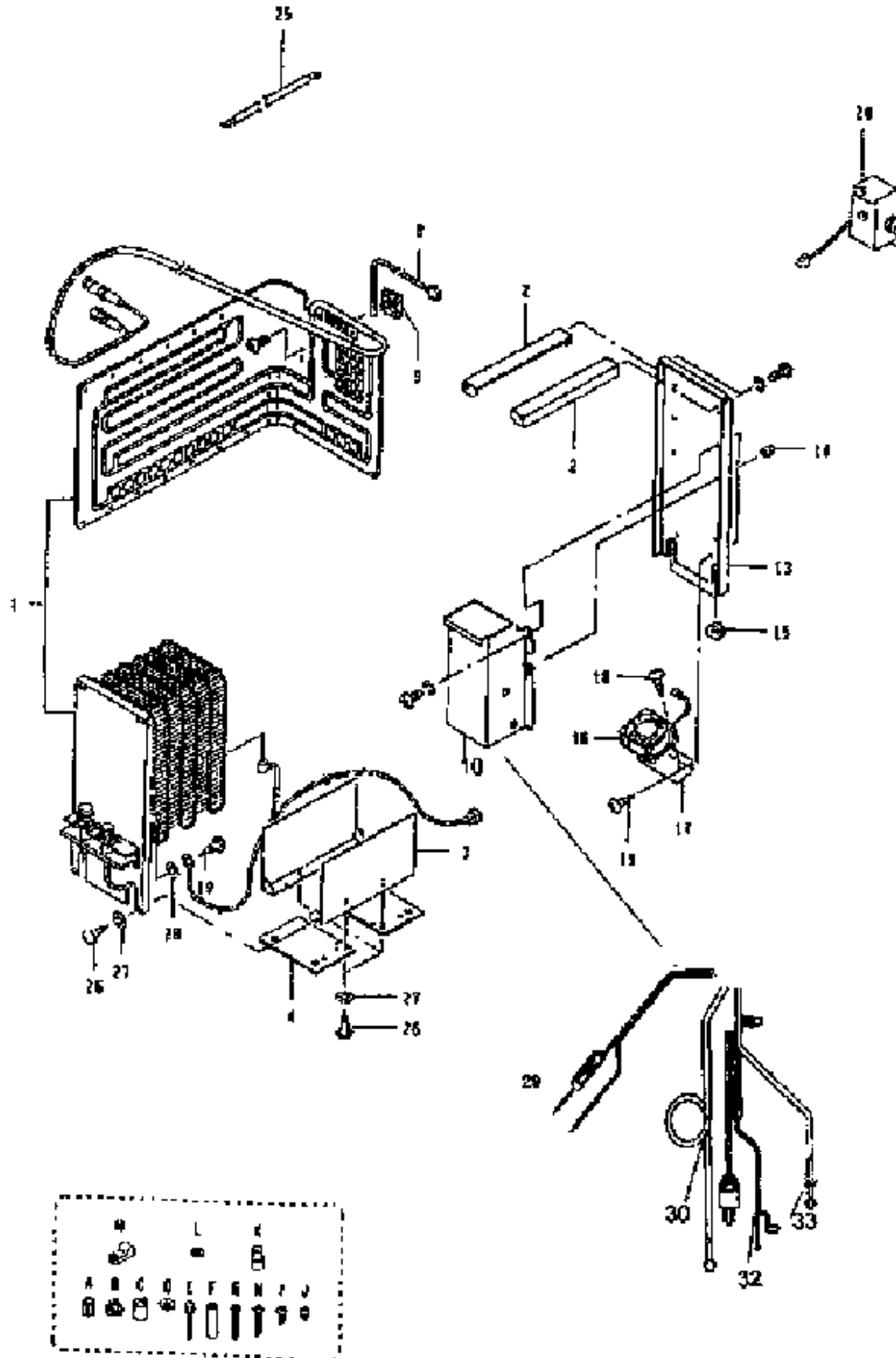


MODELS

SCQT4407

PART NO. 623436
NORCOLD 09/14/2016

FINAL ASSEMBLY- SCQT4407



FINAL ASSEMBLY SCQT4407

NO.	PART #	DESCRIPTION
1	161008610	COOLING UNIT-50 CYCLE
	SCQT4407	COMPLETE NEW - REFRIGERATOR CONVERSION KIT
2	80800531030	SCREW-TAPPING
3	83400500010	WASHER-TEETH LOCK
4	83400400010	WASHER-TEETH LOCK
5	302208520	PLATE-"S"
6	322223540	SUPPORT-COOLING UNIT CONDENSER
7	322223530	SUPPORT-EVAPORATOR
8	605505420	THERMISTER-EVAPORATOR
9	422305000	HOLDER-THERMISTER/AT EVAPORATOR
10	192116605	CORD WITH TERMINAL-GROUND CORD
11	160114040	THERMOSTAT-50 CYCLE
	160118240	THERMOSTAT-50 CYCLE
NS	160206700	KNOB-THERMOSTAT (NOT SHOWN)
12	160115900	POWER SUPPLY
13	502007900	NUT-CAPPED
14	322333040	PLATE-POWER SUPPLY
15	416009800	CUSHION-POWER SUPPLY
16	608000710	FAN ONLY
NS	601058030	COUPLER ASSY-FAN/EXTENSION (NOT SHOWN)
17	322134000	HOLDER-FAN
18	80840433010	SCREW-TAPPING
19	80830430830	SCREW-TAPPING
NS	191224880	CORD ASSY (NOT SHOWN)
20	192139600	CORD ASSY-AC
21	191238330	CORD ASSY
22	190264710	COUPLER ASSY
23	191224820	CORD ASSY
A	412000700	CUSHION-CONDENSER HOLDER
B	412010500	CUSHION
C	412010402	CUSHION
D	503005500	WASHER
E	501031800	BOLT
F	240013520	COLLAR
G	500802200	SCREW-TAPPING
H	80800412520	SCREW-TAPPING
I	80800441620	SCREW-TAPPING/M4x16
J	80800440810	SCREW-TAPPING
K	645105700	FASTENER
L	83200520010	WASHER-SPRING
M	645103210	HOLDER-FOR EXCESS TUBING

PART IS NO LONGER AVAILABLE